

□□ :

- , □□□ □□□ □□ □□□□ □□□.
- 2 □ □ □ □ □□, □□ □□ (□□ □ □□).
- 3, □□□ (□□□□□□)□ □□ □□□ □□
- 4, □□□ □□□ □□.
- 5□ □□□ □□□□ □□□ □□□□□□
- (6) □□□ □□□ □□ □□□.

□□ □□ □□ □□ :

□□ □□ □□ □□□ □□ □ □ □□ □□□ □□ □□ □□, □□ □□, □□ □□□ □□□□ □□ □□□ □□□ □□, □□ □□□ □□ □□, □□, □□ □□, □□ □□□□□□, □□, □□, □□, □□ □□, □□, □□, □□, □□ □□, □□ □□.

**SZOMK**



▶ **Enclosure Manufacturer**  
[www.chinaenclosure.com](http://www.chinaenclosure.com)

**SZOMK**



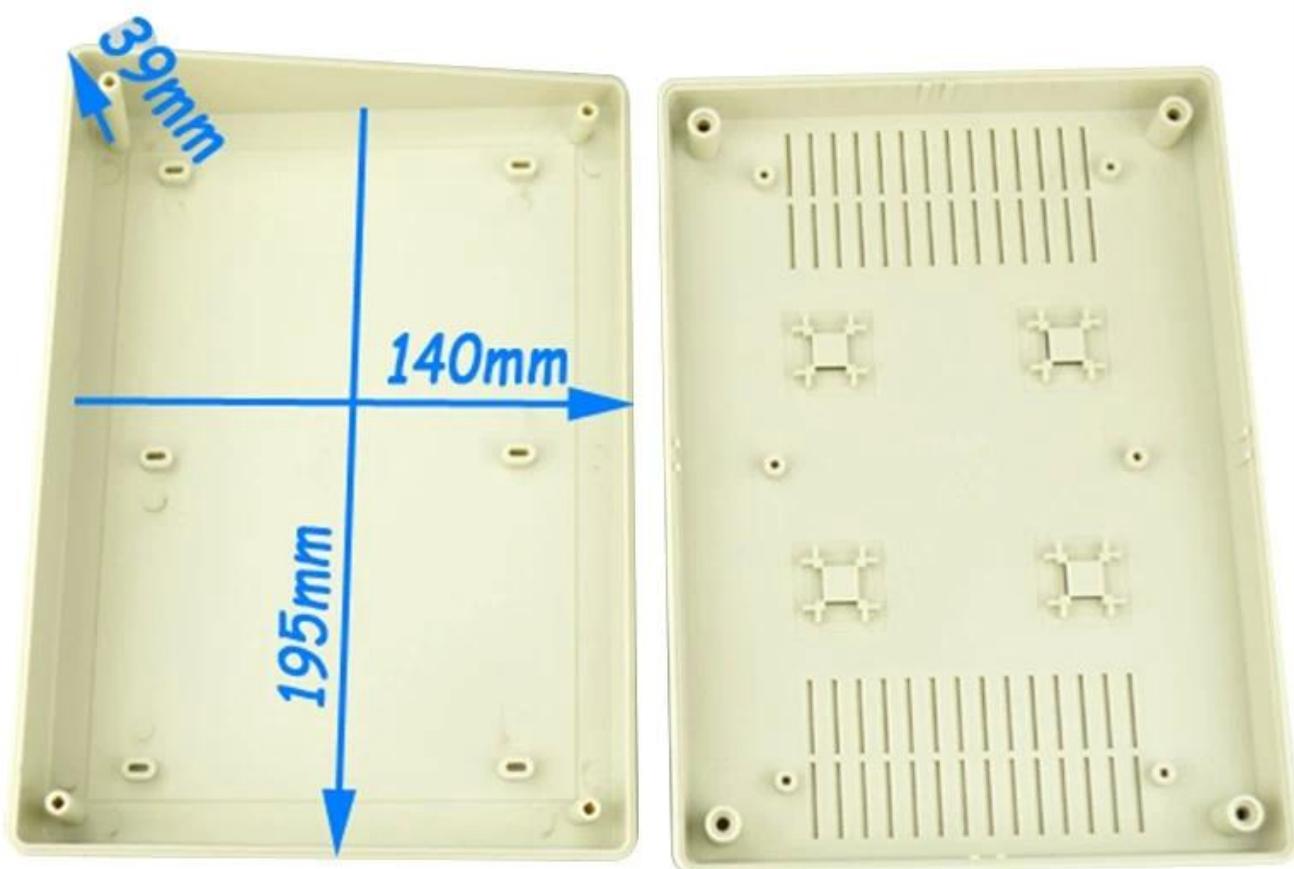
**SZOMK**



**SZOMK**

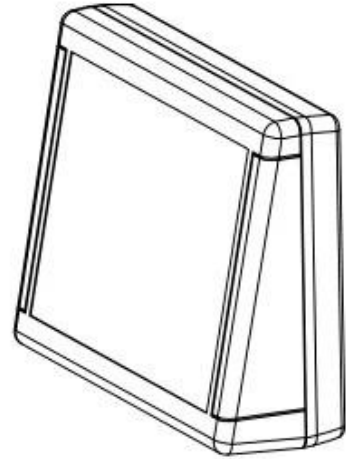
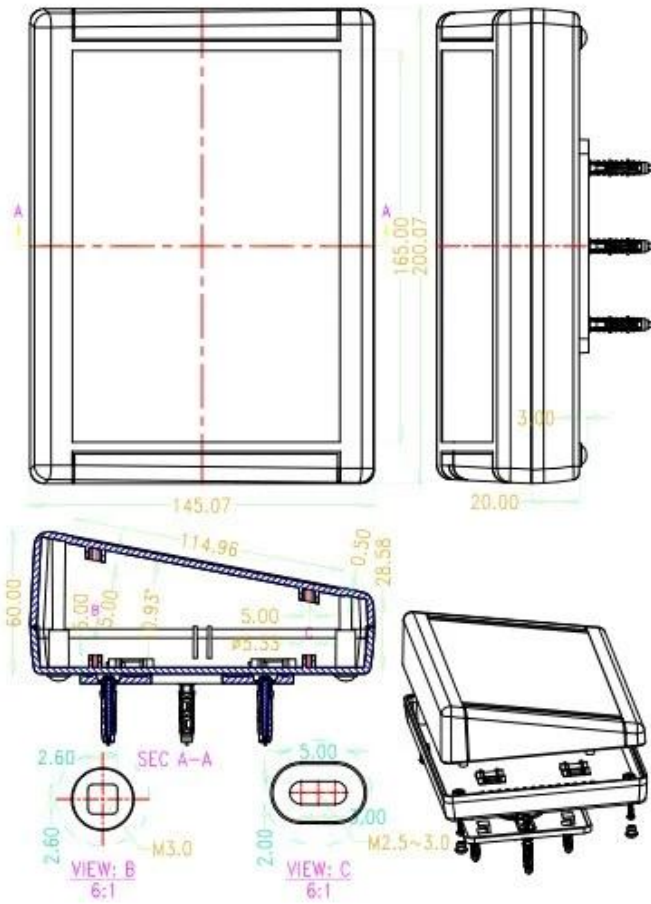


# SZOMK

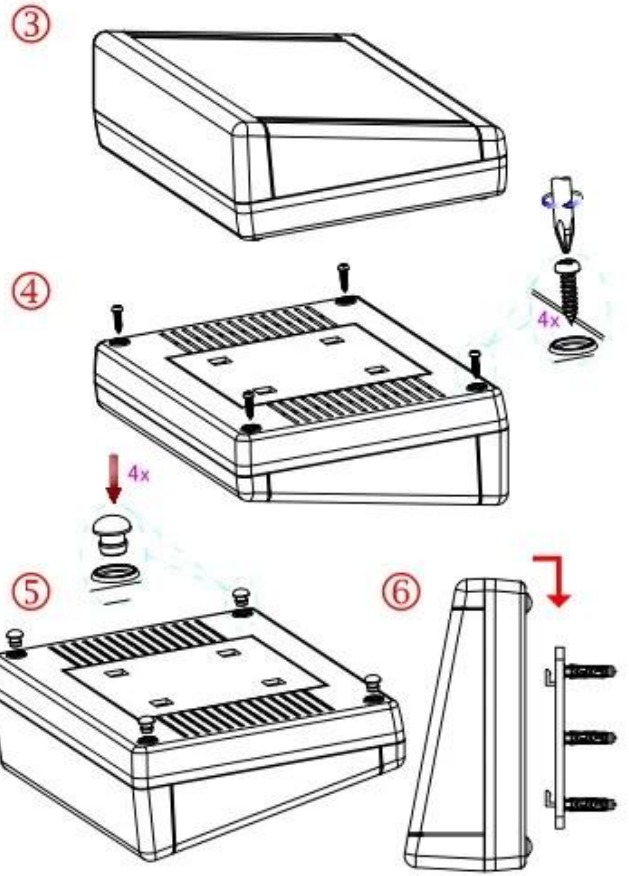
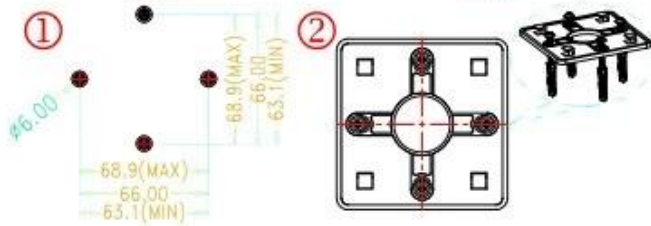
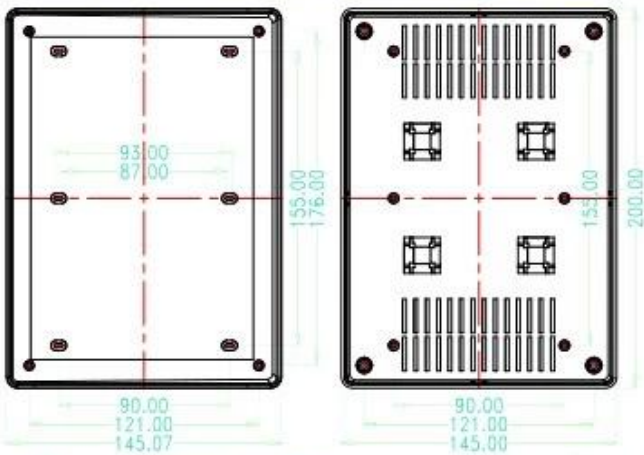
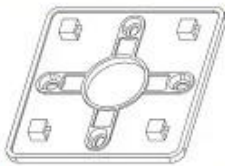


szomk.004@gmail.com

# BMW 50002



## Accessories





QQ

2406659781



Tel

86-755-83222882  
86-18598241813



Add

628Room,505 Building ,Shangbu industry,  
Hangtian road ,Futian district ,Shenzhen,  
China,518031



Email

emily@szomk.com.cn



skype

szomk1010