

## Features:

- 1, the product has a separate boxes and cartons.
- 2, the wall and the shell wall screw, the decorative sheet (grinding screw position).
- 3, with a simple (client) to match the screw
- 4, all of pouch packaging.
- 5, the product is made of a plastic material
- 6, respectively, according to their needs and drilling.

## Main purpose:

In the wall-mounted meter boxes and geographical differences in the different names are used for different industrial main junction boxes, meter boxes, electronic products, such as Shell, is mainly used for indoor and outdoor electrical, communications, fire fighting equipment, iron, electronics, electricity, railways, construction sites, cocks, airports, hotels, large factories, pollution range.

## Customization service we offer

- 1, cutout / cut holes
- 2, Silk screen / Print Logo
- 3, Sticker
- 4, Make new abrasives
- 5, Change color

**SZOMK**



▶ **Enclosure Manufacturer**  
[www.chinaenclosure.com](http://www.chinaenclosure.com)

**SZOMK**

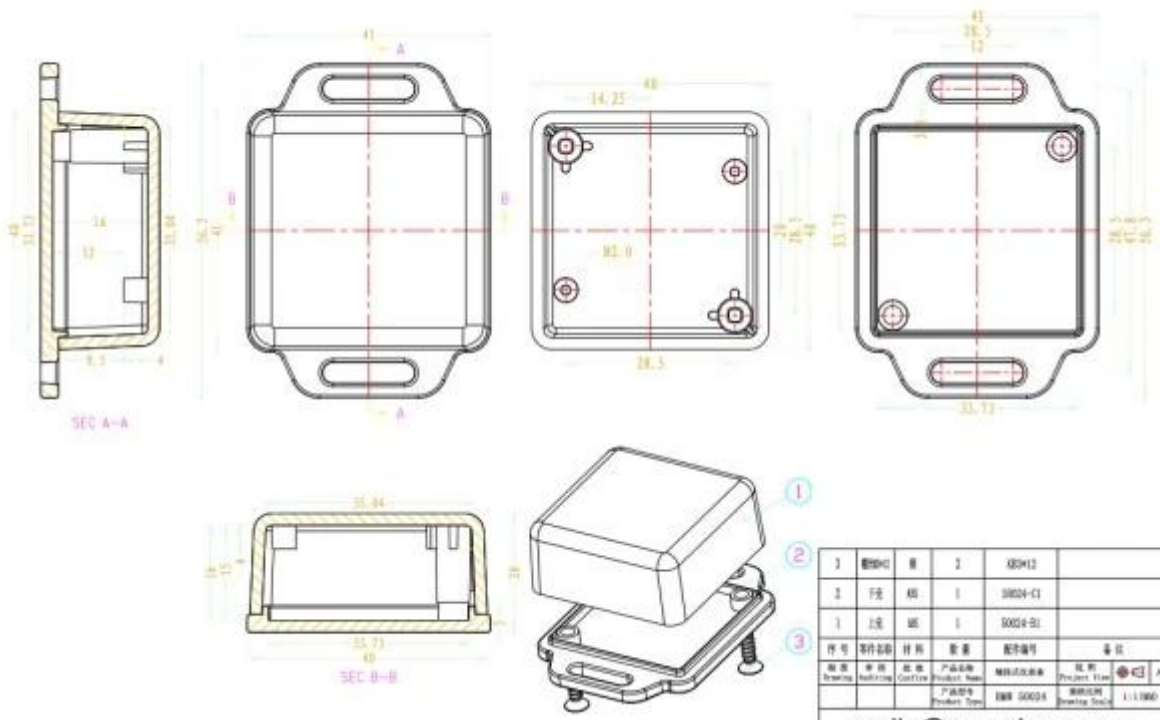


**SZOMK**



**SZOMK**





1	塑料	盖	1	32012	
2	PE	箱体	1	32024-C1	
3	PE	脚	1	30024-01	
序号	零件名称	材料	数量	零件号	备注
料号	料号	料号	产品名称	制造商	比例
Material	Part Name	Material	Product Name	Manufacturer	Product Size
			Product Type	EMR 32024	32024C1 1:1:1000

emily@szomk.com.cn