

Features:

- 1, the product has a separate boxes and cartons.
- 2, the wall and the shell wall screw, the decorative sheet (grinding screw position).
- 3, with a simple (client) to match the screw
- 4, all of pouch packaging.
- 5, the product is made of a plastic material
- 6, respectively, according to their needs and drilling.

Main purpose:

In the wall-mounted meter boxes and geographical differences in the different names are used for different industrial main junction boxes, meter boxes, electronic products, such as Shell, is mainly used for indoor and outdoor electrical, communications, fire fighting equipment, iron, electronics, electricity, railways, construction sites, cocks, airports, hotels, large factories, pollution range.

Customization service we offer

- 1, cutout / cut holes
- 2, Silk screen / Print Logo
- 3, Sticker
- 4, Make new abrasives
- 5, Change color

SZOMK



▶ **Enclosure Manufacturer**
www.chinaenclosure.com

SZOMK

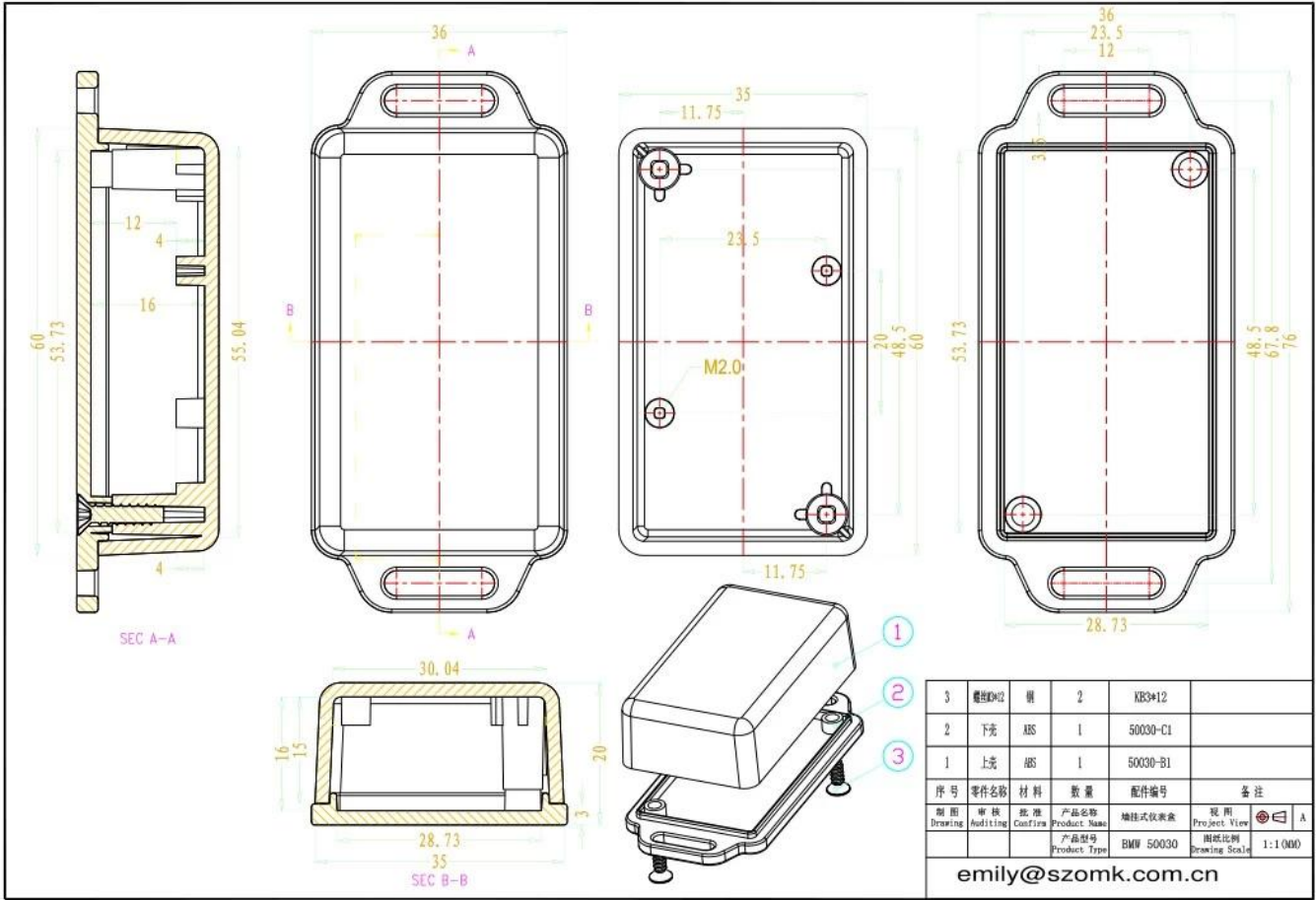


SZOMK



SZOMK





3	螺丝M2	颗	2	KRS*12		
2	下壳	ABS	1	50030-C1		
1	上壳	ABS	1	50030-B1		
序号	零件名称	材料	数量	配件编号	备注	
制图	审核	批准	产品名称	结构式仪表盒	视图	A
Drawing	Red/line	Con/line	Product Name		Project View	
			产品型号	BMW 50030	图样比例	1:1000
			Product Type		Drawing Scale	
emily@szomk.com.cn						



QQ

2406659781



Tel

86-755-83222882
86-18598241813



Add

628Room,505 Building ,Shangbu industry,
Hangtian road ,Futian district ,Shenzhen,
China,518031



Email

emily@szomk.com.cn



skype

szomk1010