

.....

Szomk.....

.....

..... 2000

OEM.....

.....

..... /.....

.....

.....

.....

.....

.....

.....

.....

.....

.....

CNC

.....

RFI/EMI

UL94-V0

..... (RDM/SLS/SLS/FSM)

.....

.....

.....30:.....

.....

***USB Power Charging Hub + HUB**

***USB**

***wifi**

.....

.....

***G4 Tracker**

***GSM**

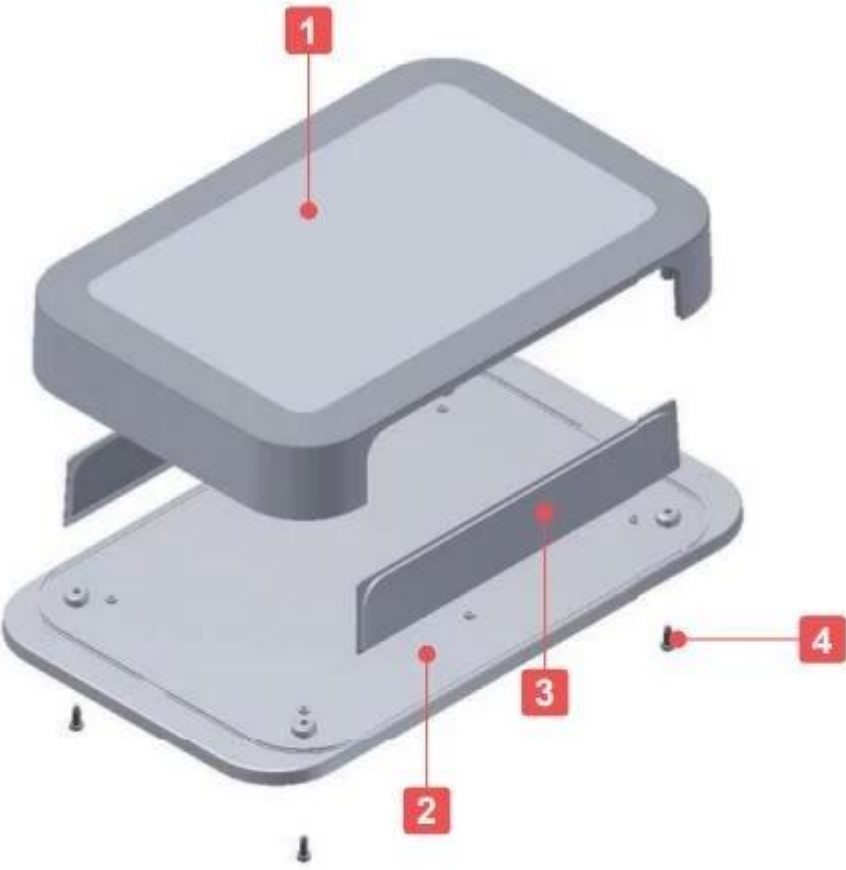
.....

.....

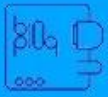
.....

.....

.....







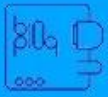
SZOMK

124*67*34mm



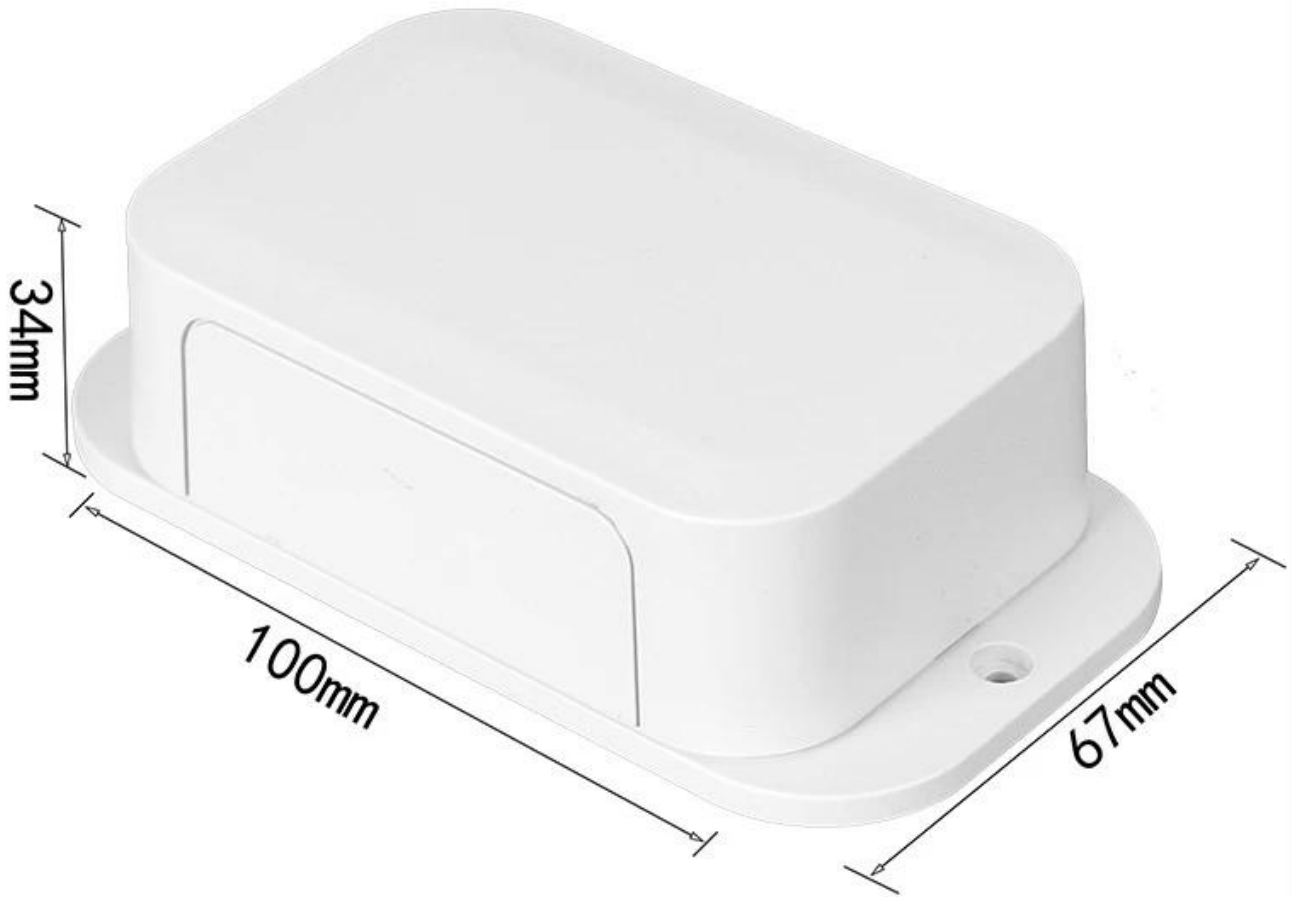
66g

AK-W-66



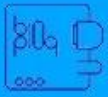
SZOMK

124*67*34mm



66g

AK-W-66



SZOMK

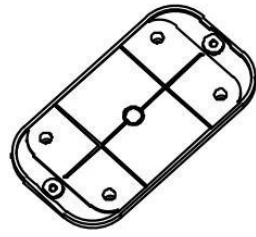
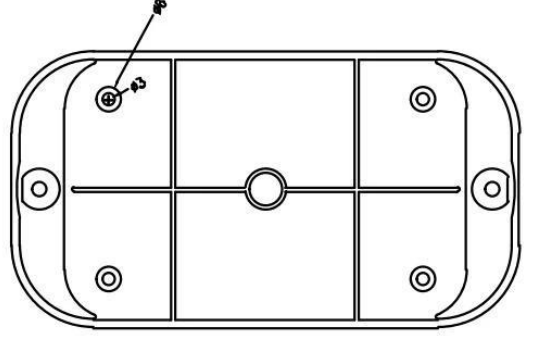
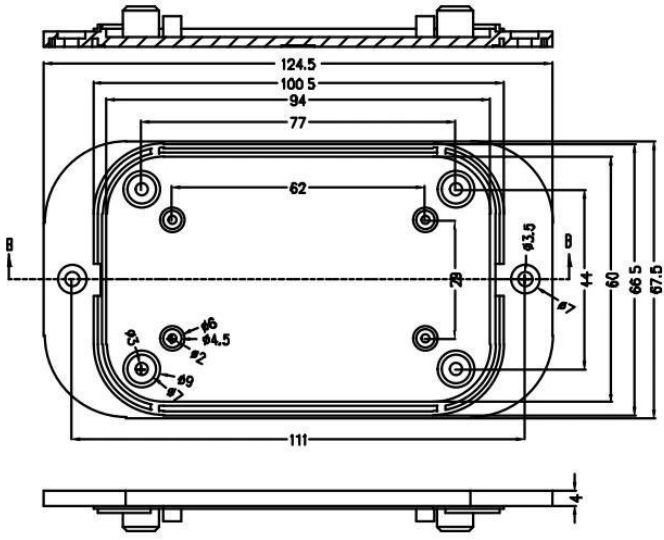
124*67*34mm



66g

AK-W-66

B-B



: