

□□□□□□ □□□:

1. □□□ □□□□□: AK-S-05
2. 145 :□□□□□x85x40mm
3. □□□□ / □□□□ :□□□□□
4. 99 :□□□□□g

**SZOMK**

**Customizable  
Cutout, sticker  
Silkscreen, color**



**A1**

**A2**

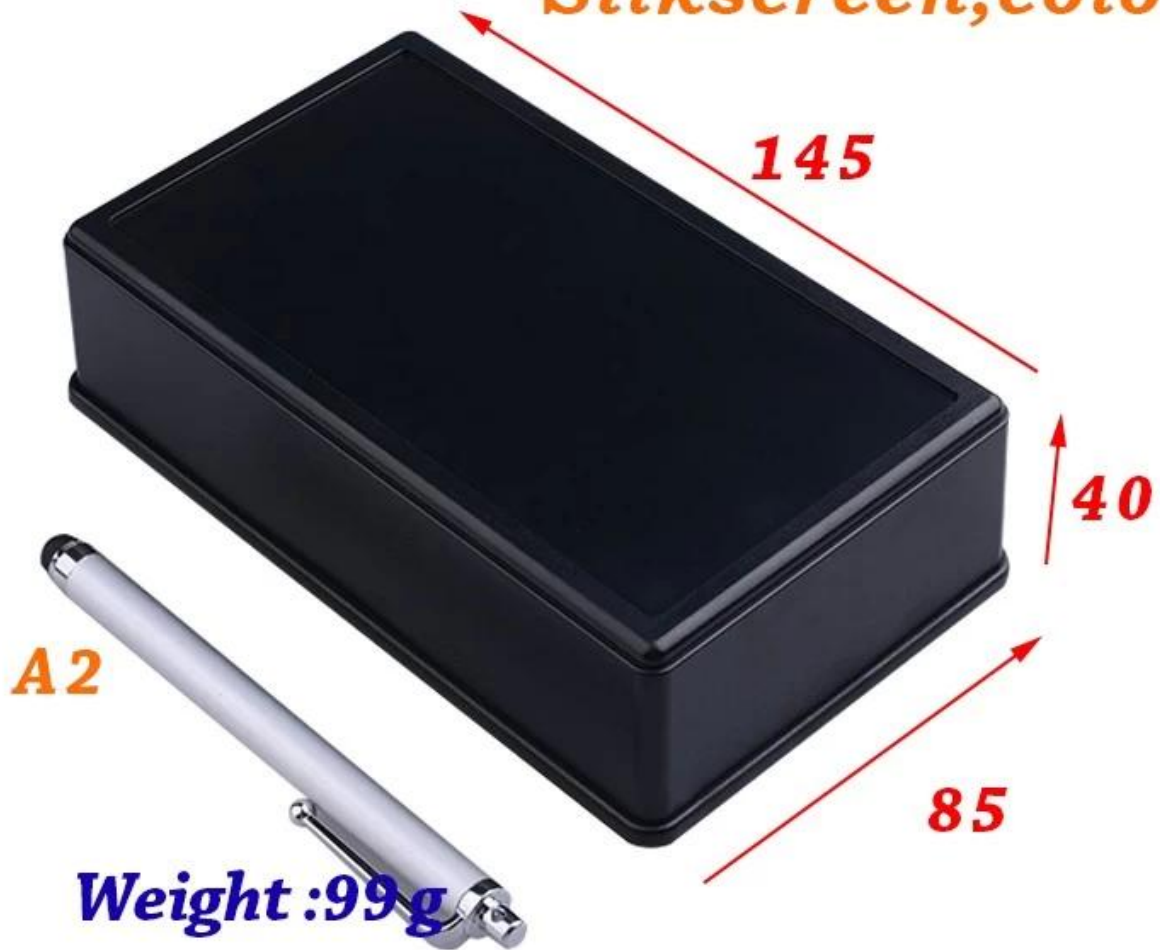
**Weight :99 g**

**Model No. AK-S-05**

**145\*85\*40 mm  
Size:5.71\*3.35\*1.57 inch**

**SZOMK**

**Customizable  
Cutout, sticker  
Silkscreen, color**



**Model No. AK-S-05**

**145\*85\*40 mm**

**Size:5.71\*3.35\*1.57 inch**

**SZOMK**

**Customizable  
Cutout, sticker  
Silkscreen, color**



**Weight :99 g**

**Model No. AK-S-05**

**145\*85\*40 mm**

**Size:5.71\*3.35\*1.57 inch**

**SZOMK**



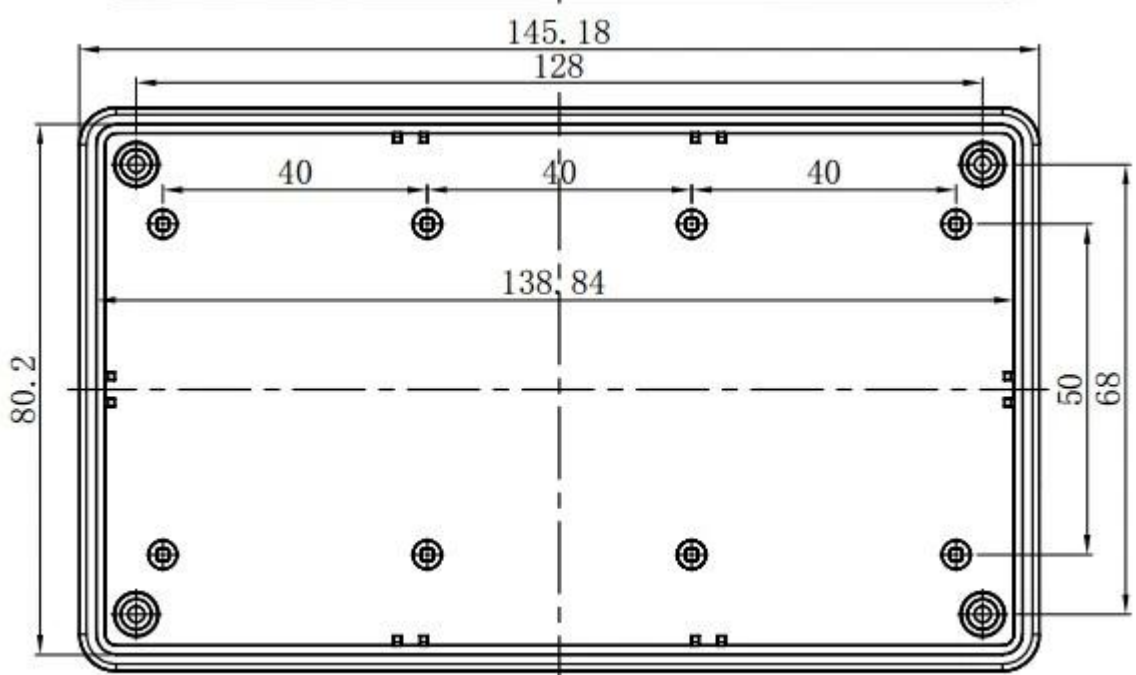
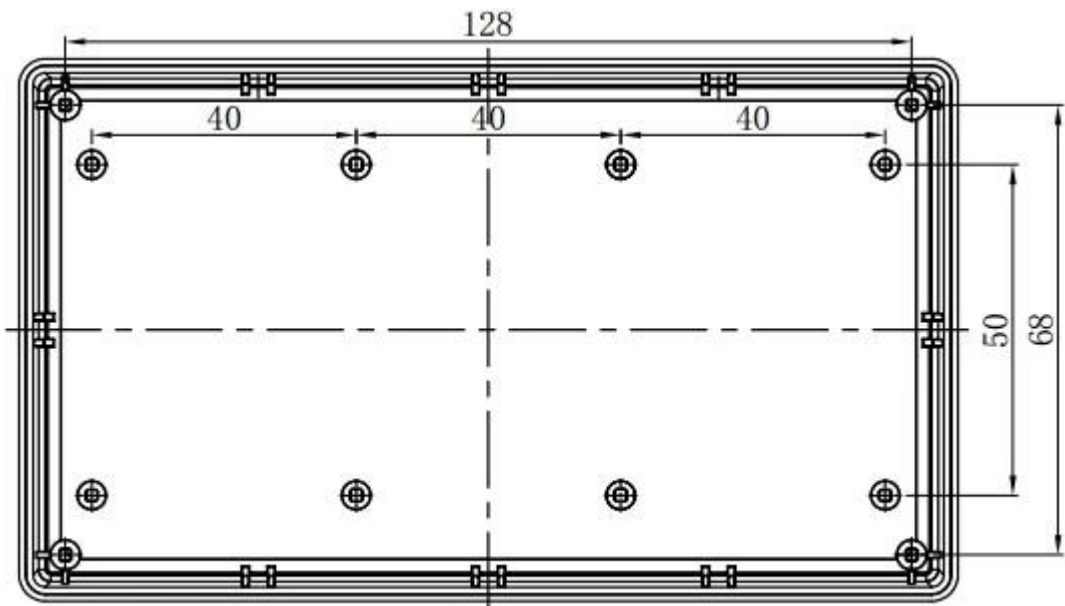
**A2**



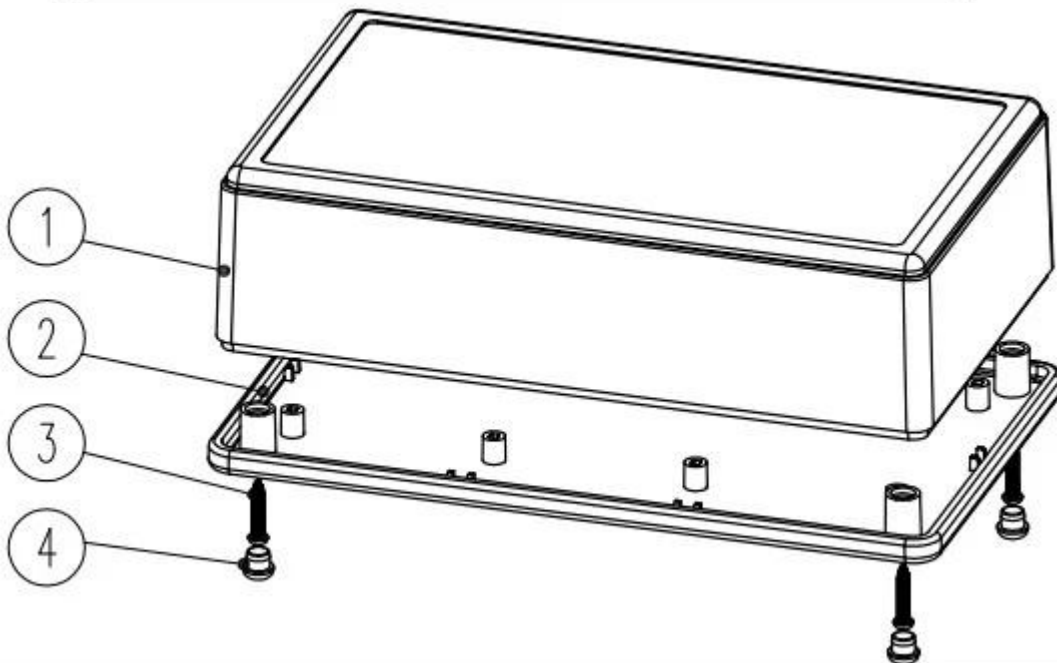
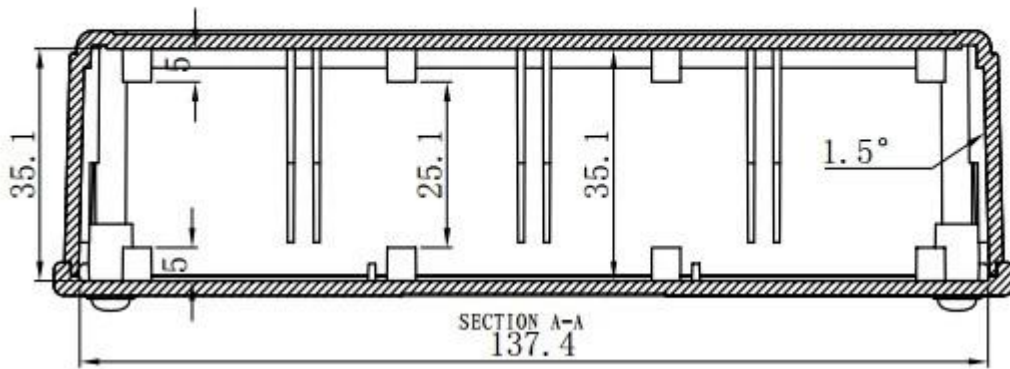
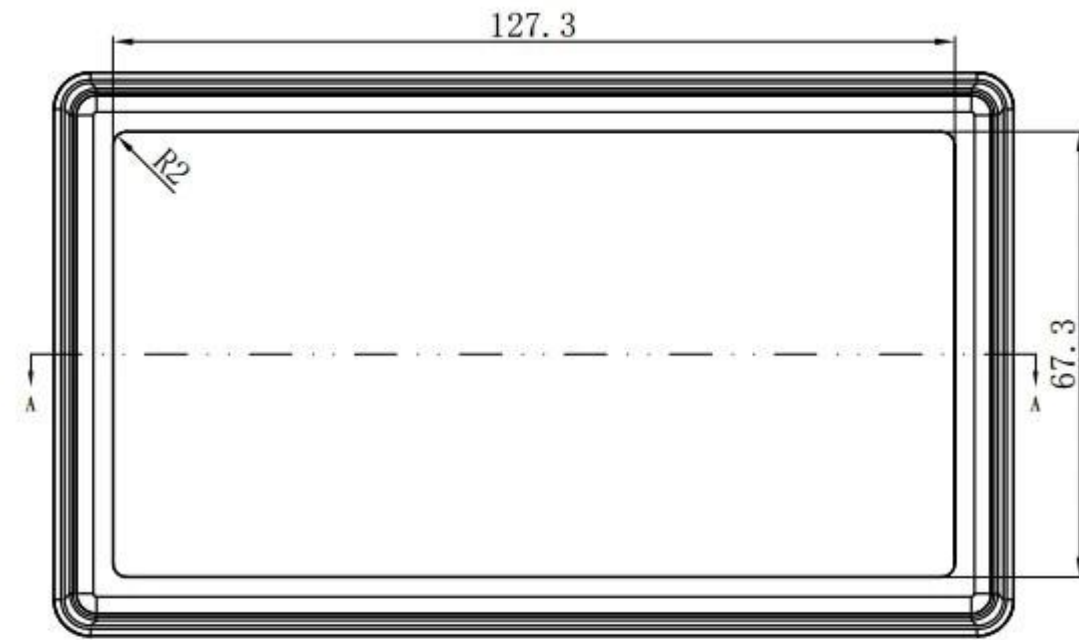
**SZOMK**



**A1**







□□□□ □□□□ □□□□□:

1. □□ □□□□

2. □□ □□□□

3. 00000
4. 000000 00000
5. 00000000000 00000 0000
6. 0000 000
- 7 00000000 000000.
8. 00000000 PVC
- 9 0000.Acrylic
- 10 0000.Silk

0000 00 0000 000 000 000 00000000 00 000 000000  
0000 0000000 000000000 000 reponosed 0000000000  
0000 24 0000!

00 000000 00000000 00 00 000000000 000000 00 000  
00 00 00000000 00 000000 00 00000 00 00000000 00000000  
0000:-)





QQ

505924585



Tel

86-755-8222882  
86-13028816914



Add

628Room,505 Building ,Shangbu iddustry,  
Hangtian toad ,Futian district ,Shenzhen,  
China,518031



Email

[lily@szomk.net](mailto:lily@szomk.net)



Home

<http://www.aliexpress.com/store/1006252>



skype

szomk006

## Company Information



### Shenzhen Futian Huaqiang Electronic World OMK Electronic Sales Department

This complex, during long years of efforts with its own experienced group and sole facilities for improvement of productions and promotion of products quality, is now one of the largest suppliers of all kinds of metallic and plastic enclosures in different fields of electronic, electrical, communication, medical, industrial and research projects purposes.

In today's industrial world and with the rapid development of all industries, the need of these products is sensed more than ever. Therefore by offering the best quality and service, we try to meet these needs and help you to reach your ideals.

## Exhibition



## Certificate



## Factory and showroom



## Packaging & Shipping



# SZOMK

Shenzhen Futian Huaqiang Electronic World OMK Electronic Sales Department

Tel: +86-755-83222882 E-mail: ivy@szomk.com.cn



□□□□ □□□ □□□□□ □□ □□□ □□□□□ !□□□□ □□□ □□□□. :-)