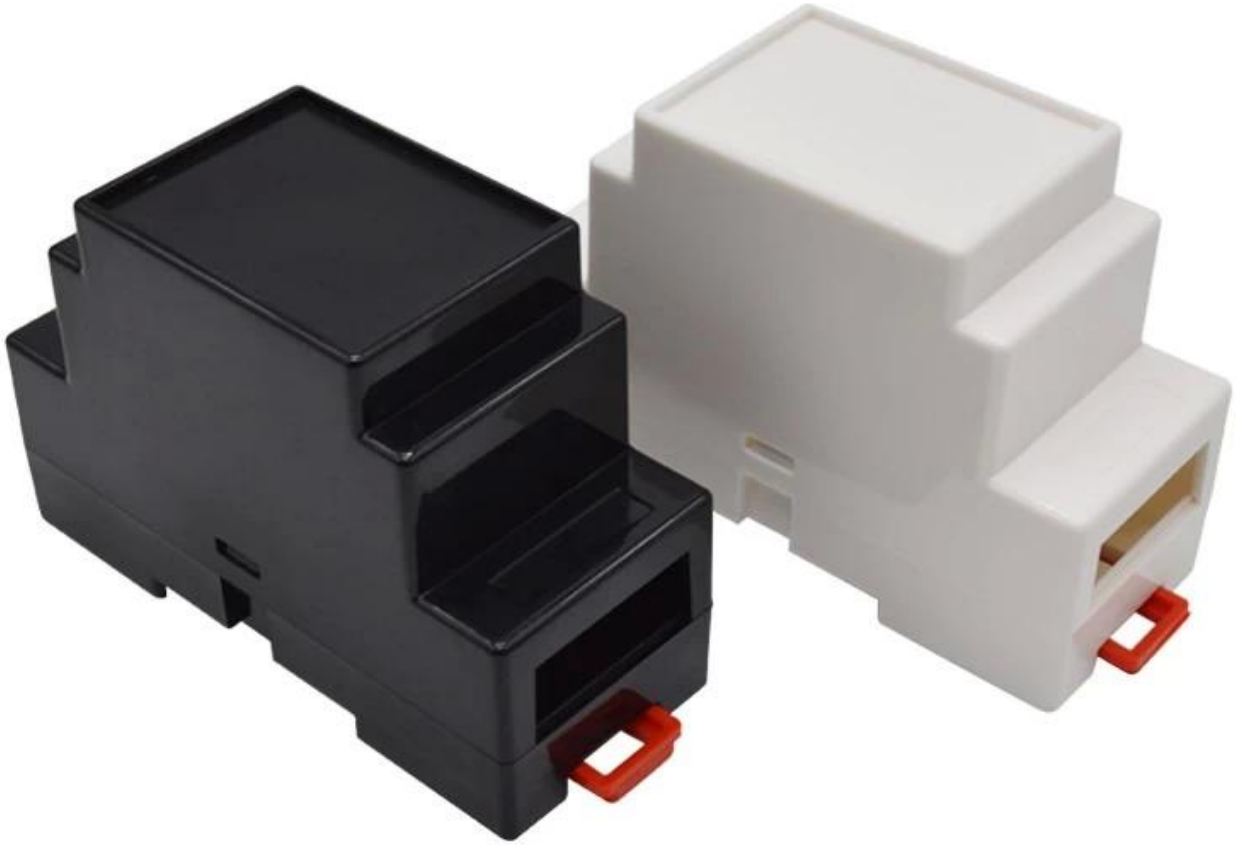


الضميمة ABS تفاصيل الاقتباس لياالي من البلاستيك الدين السكك الحديدية  
الإلكترونية

**SZOMK**



➤ **Enclosure Manufacturer**  
[www.chinaenclosure.com](http://www.chinaenclosure.com)

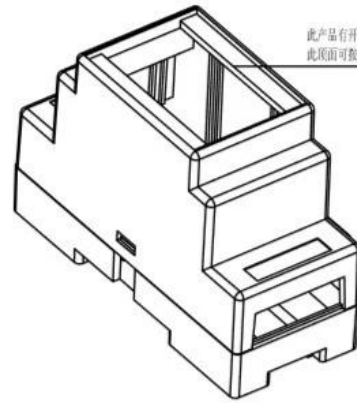
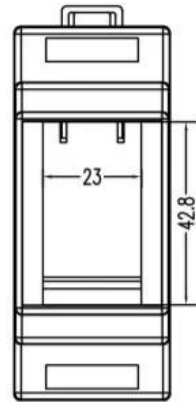
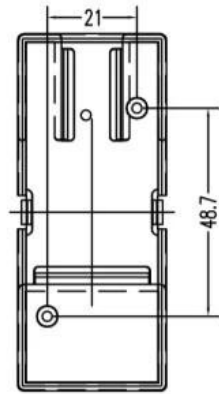
# SZOMK

Customizable  
cutout, sticker  
silkscreen, color

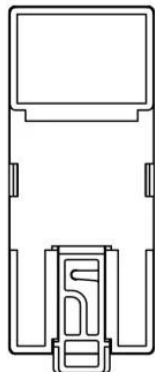
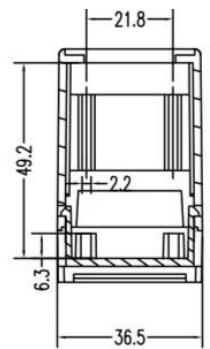
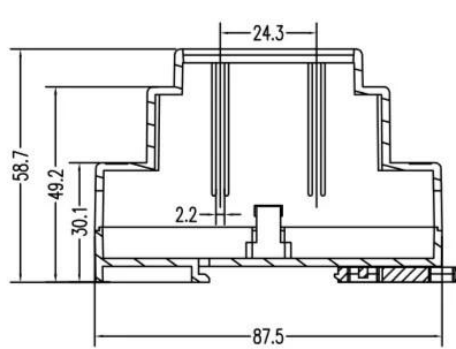
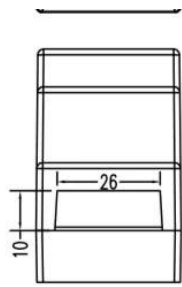
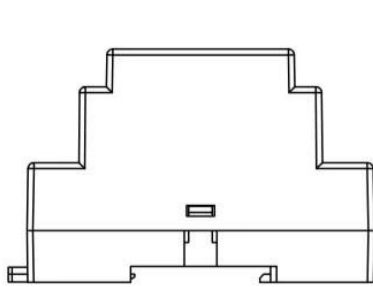


Weight: 40g  
Model No. AK-DR-01

Size: 3.46\*1.46\*2.32 inch  
88\*37\*59 mm



此产品有开孔与未开孔两款，此页面可恢复未开孔。



## الإلكترونية ABS مزايا العلبه البلاستيكية الدين السكك الحديدية

- 1. weatherability .
- 2. .
- 3. .

... ..

... ..

... ..

... ..

3 ( )

خدمة مخصصة

**We can do customize**

- Plate**: Images of yellow, black, and blue plates with various holes and patterns.
- Silkscreen**: A silver rectangular device with 'GPS Logistic' printed on it.
- Sticker**: A black rectangular sticker with 'CHIPTUNING-BOX' and 'CHIP TUNINGMAX' printed on it.
- Silicone Seals**: A blue rectangular silicone seal with a central opening.
- Color**: A collection of small, colorful rectangular pieces in blue, black, pink, yellow, and silver.
- Cutout**: A red rectangular metal cutout with two circular openings.

## Company Information



### Shenzhen Futian Huaqiang Electronic World OMK Electronic Sales Departmen

This complex, during long years of efforts with it's own experienced group and sole facilities for improvement of productions and promotion of products quality, is now one of the largest suppliers of all kinds of metallic and plastic enclosures in different fields of electronic, electrical, communication, medical, industrial and research prtojects purposes.

In today's industrial world and with the rapid development of all industries, the need of these products is sensed more than ever. Therefore by offering the best quality and service, we try to meet these needs and help you to reach your ideals.

## Factory and showroom



## Certificate



## Packaging & Shipping



□□□□□□ □□□□□□: