

SZOMK



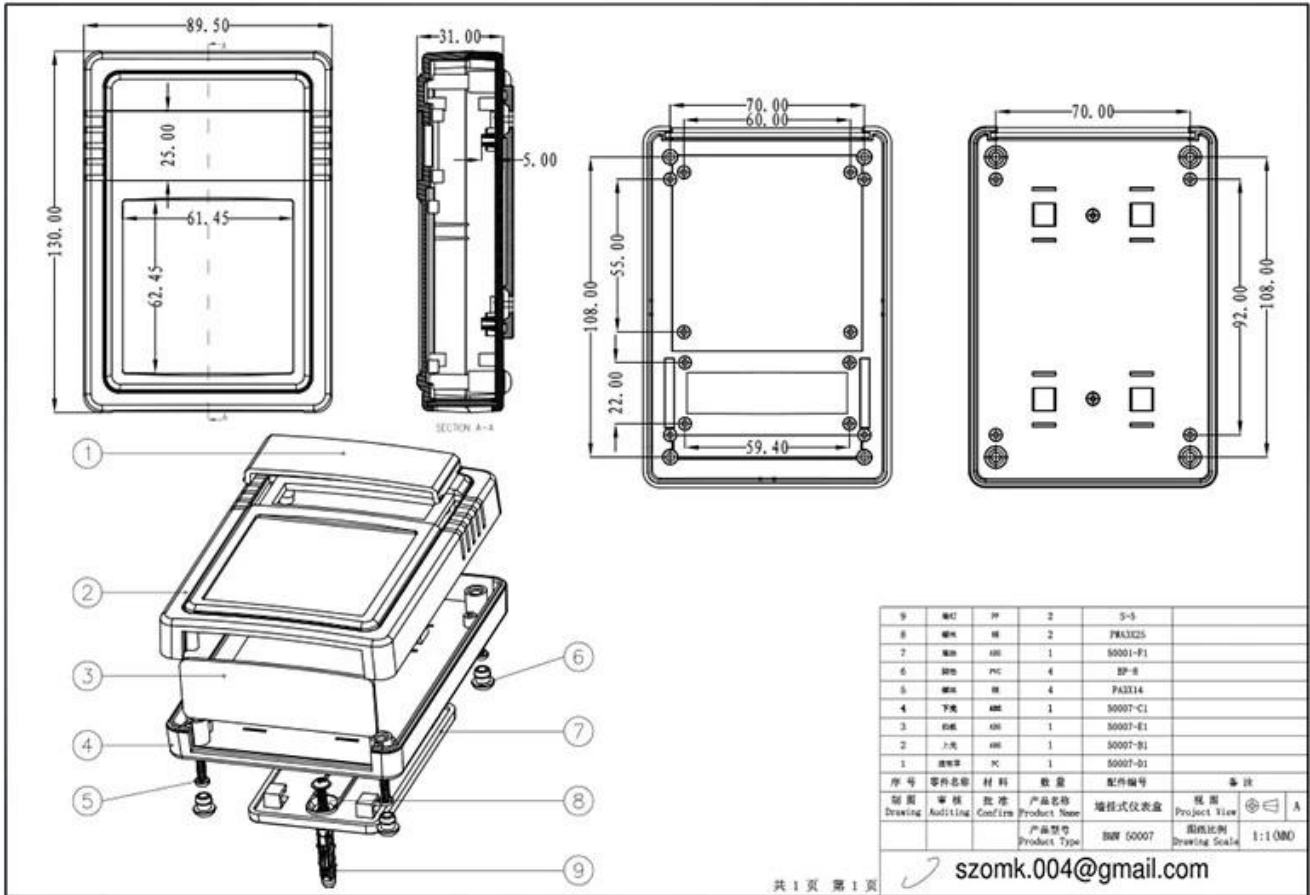
▶ **Enclosure Manufacturer**
www.chinaenclosure.com

SZOMK



SZOMK





SZOMK

产品型号(MODEL NO.): BMW 50007-A1

产品尺寸 (SIZE): 130×89×35MM

产品重量(WEIGHT): 109 g

szomk.004@gmail.com



19221557



	<p>产品编号(NUMBER): 50007-B1 产品名称(NAME): 上壳 EPV VALVE 模具编号 (P/N): BAH10035-A1 材料(MATERIAL): ABS(G3T)GRY(PS20412) 用量(QUANTITY): 1 PCS 重量(WEIGHT): 46 g</p>		<p>产品编号(NUMBER): 50007-C2 产品名称(NAME): 下壳 HYPORHIGA 模具编号(P/N): BAH10035-A2 材料(MATERIAL): ABS(G3T)GRY(PS20412) 用量(QUANTITY): 1 PCS 重量(WEIGHT): 43g</p>
	<p>产品编号(NUMBER): 50007-D1 产品名称(NAME): TRANSLUCENT QVIB 模具编号 (P/N): BAH10035-A3 材料(MATERIAL): PC(茶色.0571) 用量(QUANTITY): 1 PCS 重量(WEIGHT): 5 g</p>		<p>产品编号(NUMBER): 50007-E1 产品名称(NAME): 档板 Baffle 模具编号(P/N): BAH10033-A4 材料(MATERIAL): ABS(L3T)GRY(PS20412) 用量(QUANTITY): 1 PCS 重量(WEIGHT): 4 g</p>
	<p>产品编号(NUMBER): PA3×14 产品名称(NAME): 县县螺BU-TAPPING SCREW 规格(STANDARD): M3×14 材料(MATERIAL): 铁 IRON 用量(QUANTITY): 4 PCS</p>		<p>产品编号(NUMBER): BP-8 产品名称(NAME): 垫圈 PCONTRIAL 模具编号(P/N): BAH10020-A4 材料(MATERIAL): PVC(Y)HTE(CM7070) 用量(QUANTITY): 4 PCS 重量(WEIGHT): 0.25g</p>
	<p>产品编号(NUMBER): 50001-F1 产品名称(NAME): 墙钉 WALL NAIL 模具编号 (P/N): BAH10006-A5 材料(MATERIAL): ABS(G3T)GRY(PS20412) 用量 (QUANTITY): 1 PCS 重量(WEIGHT): 12 g</p>		<p>产品编号(NUMBER): PW3×25 产品名称(NAME): 县县螺BU-TAPPING SCREW 规格(STANDARD): M3×25 材料(MATERIAL): 铁 IRON 用量(QUANTITY): 2 PCS</p>
	<p>产品编号(NUMBER): S-5 产品名称(NAME): 墙钉 WALL NAIL 模具编号 (P/N): BAH10032-A1A2 规格(STANDARD): 5×5 φ3-4 材料(MATERIAL): PP(GRY)CM4908 用量(QUANTITY): 2 PCS</p>		



QQ

2406659781



Tel

86-755-83222882

86-18598241813



Add

628Room,505 Building ,Shangbu industry,
Hangtian road ,Futian district ,Shenzhen,
China,518031



Email

emily@szomk.com.cn



skype

szomk1010