

مواصفات:

مكان المنشأ: شننتشن، الصين

صندوق الضميمة تقاطع Platic النوع: الالكترونيات

نموذج رقم: AK-H-39

الحجم: 76 * 112 * 216 IMM

المواد: البلاستيك ABS

موك عينة: 1 قطعة

حسب الطلب خدمة: انقطاع، بالشاشة الحريرية، اللون، ملصقا، النقش، بالليزر،

الاكريليك ورقة، وخلق العفن

موك مخصصة: 20 جهاز كمبيوتر شخصى

التعبئة: الكرتون

SZOMK



▶ **Enclosure Manufacturer**
www.chinaenclosure.com

SZOMK

Customizable
cutout, sticker
silkscreen, color



Weight: 297g
Model No. AK-H-39

Size: 8.50*4.41*2.99 inch
216*112*76 mm

SZOMK



SZOMK



SZOMK

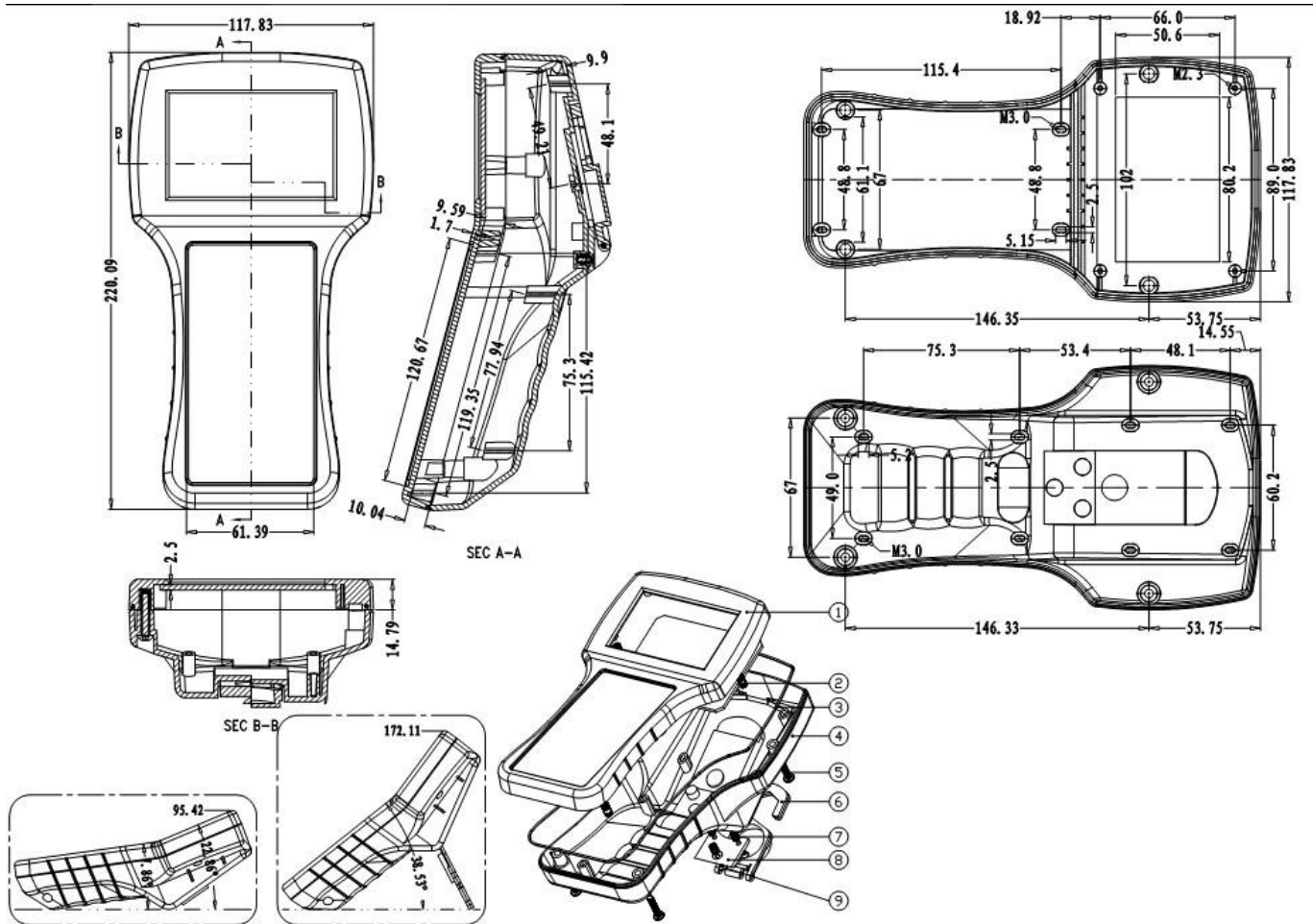


SZOMK



SZOMK





□□□□ □□□□ □□□□ □□ □□:

- 1□ □□□□ □□□□□ □□ □□□□ □2 □□□□□□□□□ □□ □□□□
- 3□ □□□□□ □□□□□ □4 □□□□□ □□□□□
- 5 □□□□□□□ □□ □6 □□□□ □□□□□
- 7 □□□□□ lasder □8□ □□□□□□□ PVC
- 9□ □□□□□□□ □□□□□ □□□□□ □10 □□□□□□ □□□□
- 11□ □□□□□□□ □□□□ □□□□ □12 □□□□□ □□□□
- 13□ □□□□□□□ □□ □14 □□□□□□
- 15□ □□□□□ □□□□ □16 □□□□□□□□ □□ □□□□□ □□□□□



Plate



Silkscreen



Sticker

*We can do
customize*

Cutout



Silicone Seals



Color



We can do customize

Cut holes
Silkscreen
Sticker



We can do customize

change the color



We can do customize

PVC lable
Acrylic plate
Sticker



We can do customize

Cut holes
Silkscreen
Laser carve



We can do customize



**UV
Protection**



We can do customize

Cut holes
Silkscreen
Sticker



It is widely used in electronic, instrumentation, automation, communications, power supply units, student projects, amplifiers, Medical and wellness devices, test and measurement equipment, industrial control, peripheral devices and interfaces, switch boxes.



□□□□□:

□□□□□□□□ □□ □□□□ □□□□□□ □□□□□□□□ □□ □□□□□□□□
□□□ □□□□□□ □□□□□□□□ □□□□□□□□ □□□□□□□□ □□ □□□□□□□□□□
□□□□ 24 □□□□ □□□□□□ □□□□□□□□. :-)



QQ

505924585



Tel

86-755-83222882
86-13028816914



Add

628Room,505 Building ,Shangbu industry,
Hangtian road ,Futian district ,Shenzhen,
China,518031



Email

lily@szomk.net



skype

szomk006

Company Information



Shenzhen Futian Huaqiang Electronic World OMK Electronic Sales Department

This complex, during long years of efforts with its own experienced group and sole facilities for improvement of productions and promotion of products quality, is now one of the largest suppliers of all kinds of metallic and plastic enclosures in different fields of electronic, electrical, communication, medical, industrial and research projects purposes.

In today's industrial world and with the rapid development of all industries, the need of these products is sensed more than ever. Therefore by offering the best quality and service, we try to meet these needs and help you to reach your ideals.

Exhibition



Certificate



Factory and showroom



Packaging & Shipping



Shenzhen Futian Huaqiang Electronic World OMK
Electronic Sales Department

Tel: +86-755-83222882 E-mail: hyj@szomk.com.cn





Our packaging

Plastic foam packaging



Metal shell packaging



Plastic box packaging



☐ ☐☐☐☐☐☐☐ ☐☐☐☐ ☐☐☐☐☐☐☐☐☐ ☐☐:

lily@szomk.net

☐☐☐☐ **responded** ☐☐☐☐☐☐☐☐ **WITHING 24**

☐ : .☐☐☐☐)

