

SZOMK

1. .
2. .
3. .

- 1 .
- 2 .
- 3 .
- 4 .

تحدد المنتج

SZOMK



 **Enclosure Manufacturer**
www.chinaenclosure.com

SZOMK

Customizable
cutout, sticker
silkscreen, color



Weight: 41g
Model No. AK-S-09

Size: 3.35*2.17*1.38 inch
85*55*35 mm

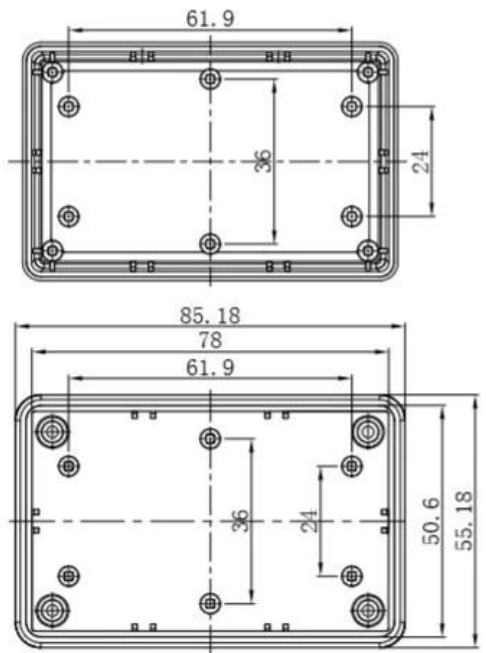
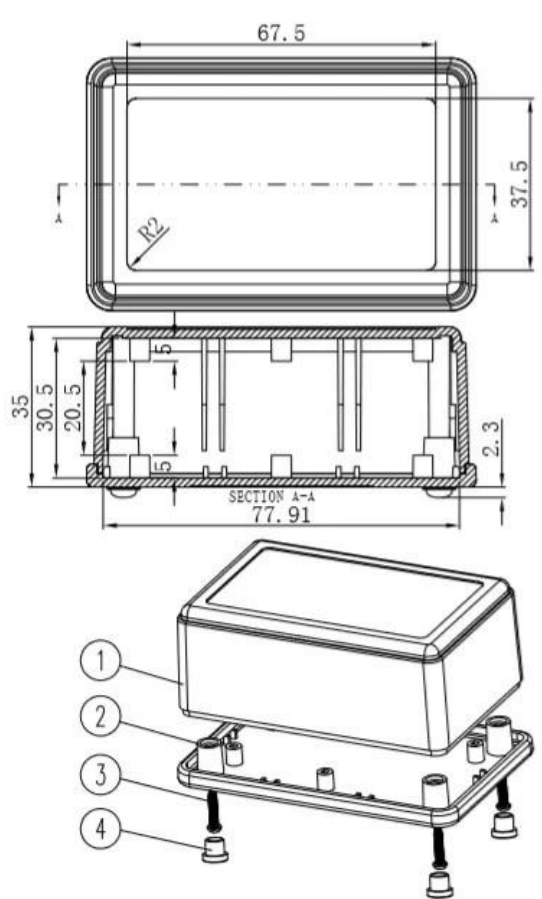
SZOMK



SZOMK



30mm



١٠٠ : ١٠٠ : ١٠٠

خدمات مخصصة



Company Information



Shenzhen Futian Huaqiang Electronic World OMK Electronic Sales Department

This complex, during long years of efforts with its own experienced group and sole facilities for improvement of productions and promotion of products quality, is now one of the largest suppliers of all kinds of metallic and plastic enclosures in different fields of electronic, electrical, communication, medical, industrial and research projects purposes.

In today's industrial world and with the rapid development of all industries, the need of these products is sensed more than ever. Therefore by offering the best quality and service, we try to meet these needs and help you to reach your ideals.

Factory and showroom



Exhibition



Certificate



Packaging & Shipping



معلومات الاتصال



T/T, WESTERN UNION, MONEY
GRAM AND PAYPAL ACCPETED.

Welcome to inquire!

Tel: 86-755-8322 2882

Email: devin@szomk.net

[Contact Us](#)