

## تفاصيل سريعة

رقم الموديل: AK-DR-19  
مم 200x90x70 الحجم الخارجي:  
اللون الابيض  
المادة: ABS  
الوزن: 156 ز

# SZOMK



► Enclosure Manufacturer  
[www.chinaenclosure.com](http://www.chinaenclosure.com)

# SZOMK

Customizable  
cutout, sticker  
silkscreen, color



Weight: 155g

Model No. AK-DR-19

Size: 7.87\*3.54\*2.76 inch

200\*90\*70 mm

**SZOMK**

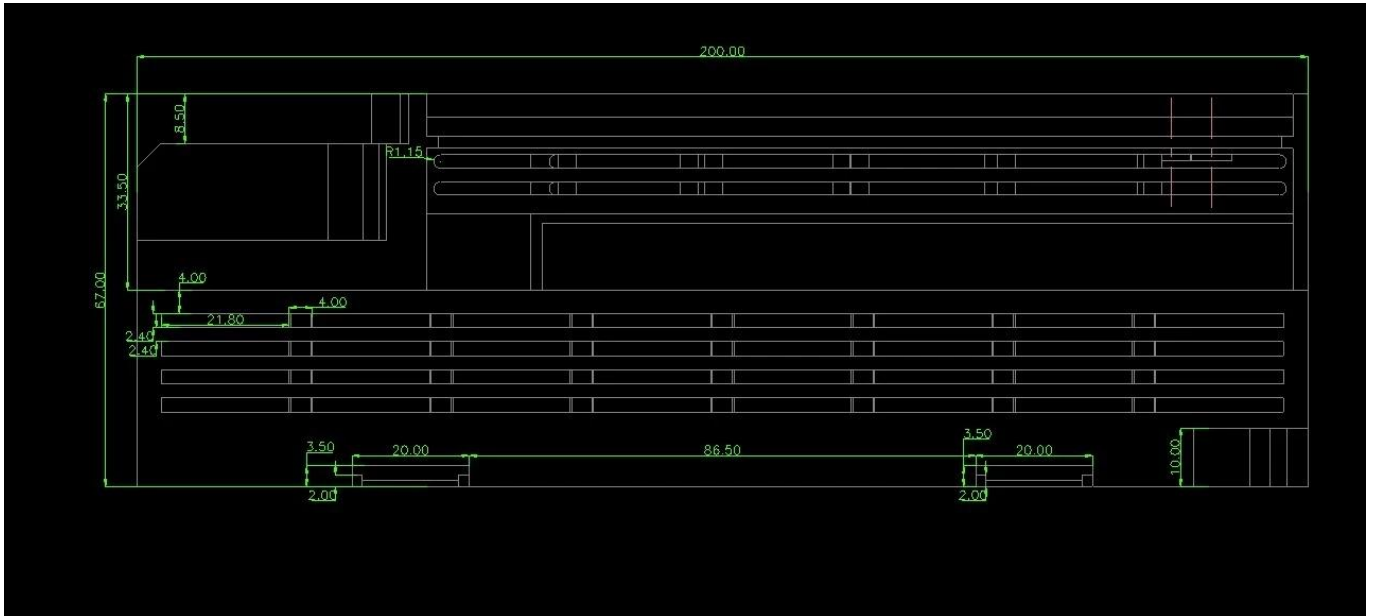
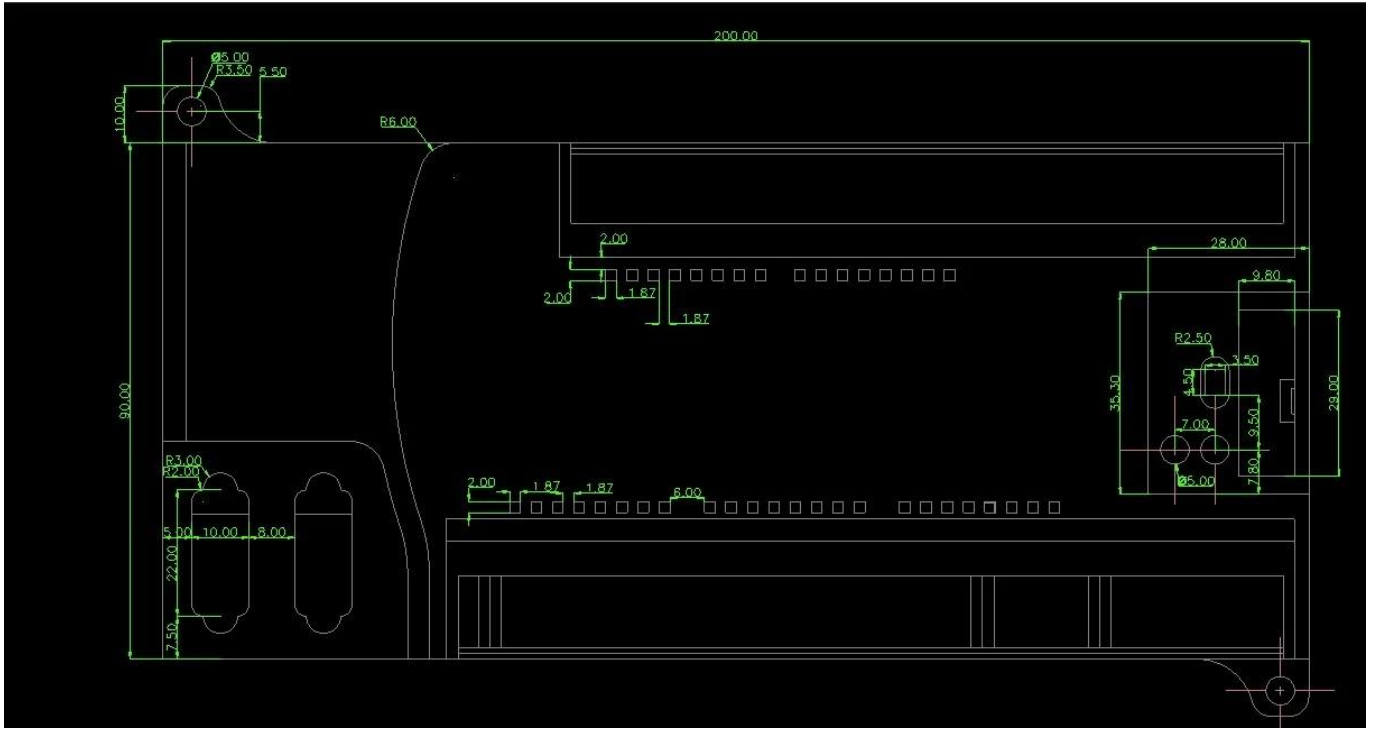


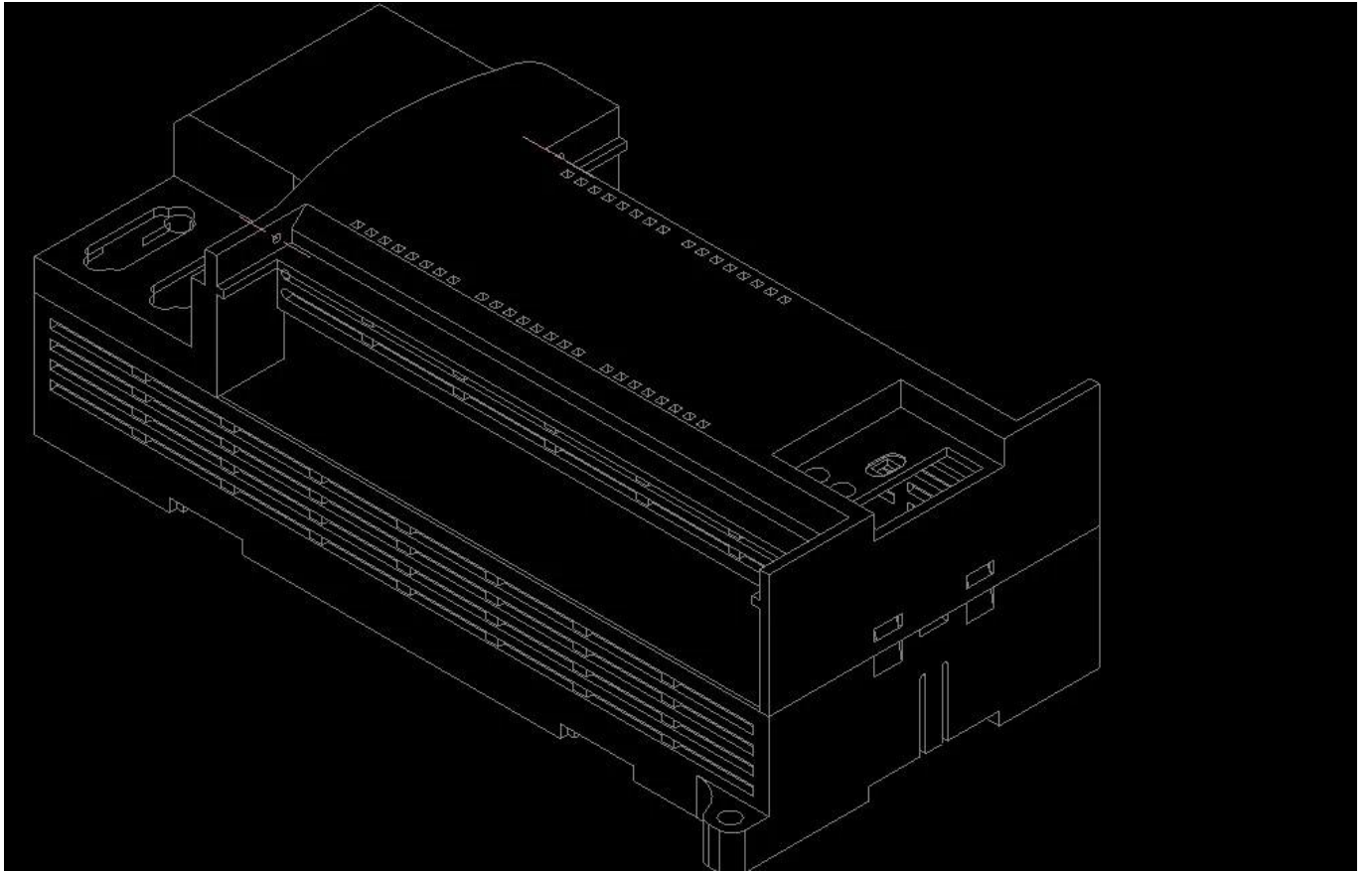
**SZOMK**



**SZOMK**









## Company Information



### Shenzhen Futian Huaqiang Electronic World OMK Electronic Sales Departmen

This complex,during long years of efforts with it's own experienced group and sole facilities for improvement of productions and promotion of products quality, is now one of the largest suppliers of all kinds of metallic and plastic enclosures in different fields of electronic,electrical,communication,medical,industrial and research prtojects purposes.

In today's industrial world and with the rapid development of all industries,the need of these products is sensed more than ever.Therefore by offering the best quality and service,we try to meet these needs and help you to reach your ideals.



## Exhibition



## Factory and showroom



تفاصيل التغليف: معيار التصدير الكرتون.  
كمية مختلفة مهلة مختلفة ، daysتفاصيل التسليم: 3-15

## Packaging & Shipping



This advertisement features a central illustration of various shipping modes: a large white airplane, a red semi-truck, a cargo ship, and a white van. To the right, there are logos for several major logistics companies: TNT (with the slogan 'sure we can'), UPS (with 'WE LOGISTICS'), SF EXPRESS (顺丰速运), FedEx Express, EMS, and DHL. Below the main illustration, a horizontal bar contains logos for payment and financial services: PayPal, Western Union, Visa, Escrow, MasterCard, and HSBC.



Shenzhen Futian Huaqiang Electronic World OMK  
Electronic Sales Department

Tel: +86-755-83222882 E-mail: [ivy@szomk.com.cn](mailto:ivy@szomk.com.cn)

