

SZOMK



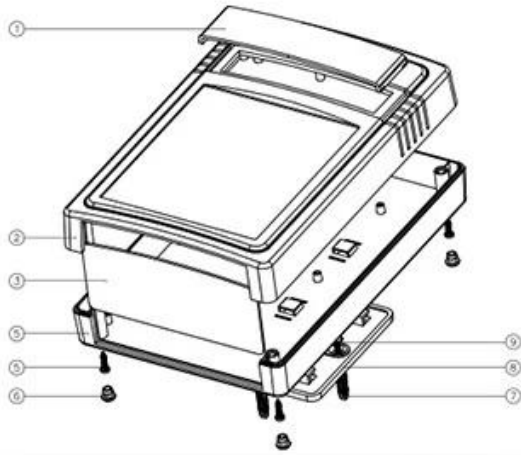
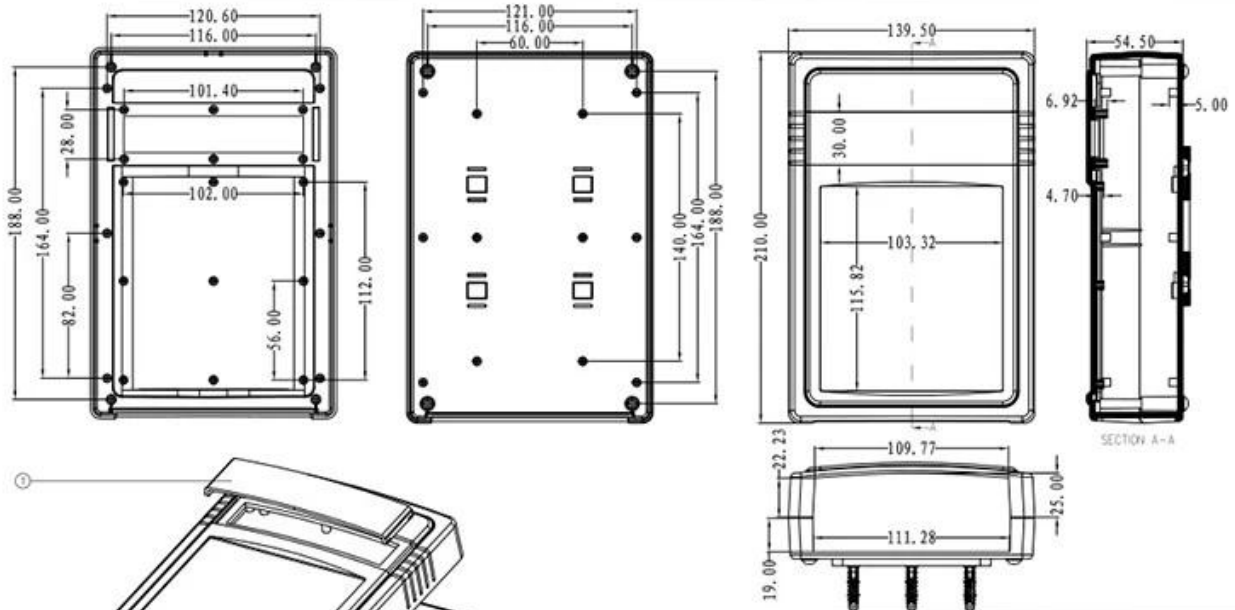
▶ **Enclosure Manufacturer**
www.chinaenclosure.com

SZOMK



SZOMK





9	螺母	件	4	FW3325	
8	螺母	件	1	S0002-D1	
7	螺母	件	4	S-S	
6	螺母	件	4	BP-S	
5	螺母	件	4	PA3314	
4	下壳	件	1	S0005-C1	
3	外壳	件	1	S0005-B1	
2	上壳	件	1	S0005-D1	
1	底板	件	1	S0005-D1	
序号	零件名称	材料	数量	配件编号	备注
制图	审核	批准	产品名称	壁挂式仪表盒	视图
Drawing	Auditing	Confirm	Product Name		Project View
			产品类型	BM 50005	图框比例
			Product Type		Drawing Scale
					1:1 (MM)

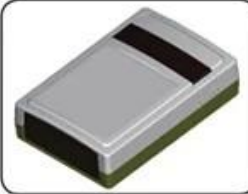
szomk.004@gmail.com

SZOMK

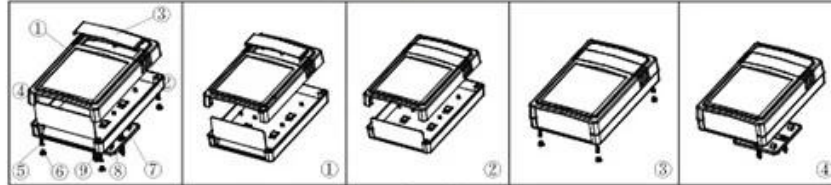
产品型号(MODEL NO.): BMW 50005-A1

产品尺寸 (SIZE): 210×139×58MM

产品重量(WEIGHT): 286 g



19221555



	<p>产品编号(NUMBER): 50005-B1 产品名称(NAME): 上壳 EP VALVE 模具编号(P/N): BAH10033-A1 材料(MATERIAL): ABS(LIGHT GREY:FS20412) 用量(QUANTITY): 1 PCS 重量(WEIGHT): 122 g</p>		<p>产品编号(NUMBER): 50005-C1 产品名称(NAME): 下壳 HPOFF BECA 模具编号(P/N): BAH10033-A2 材料(MATERIAL): ABS(LIGHT GREY:FS20412) 用量(QUANTITY): 1 PCS 重量(WEIGHT): 118 g</p>
	<p>产品编号(NUMBER): 50005-D1 产品名称(NAME): TRANSLUCENT COVER 模具编号(P/N): BAH10033-A3 材料(MATERIAL): PC(茶色:0571) 用量(QUANTITY): 1 PCS 重量(WEIGHT): 10 g</p>		<p>产品编号(NUMBER): 50005-E1 产品名称(NAME): 挡板 BAFFLE 模具编号(P/N): BAH10033-A4 材料(MATERIAL): ABS(LIGHT GREY:FS20412) 用量(QUANTITY): 1 PCS 重量(WEIGHT): 14 g</p>
	<p>产品编号(NUMBER): PA3 x 14 产品名称(NAME): 长螺丝 M3x14 规格(STANDARD): M3 x 14 材料(MATERIAL): 铁 IRON 用量(QUANTITY): 4 PCS</p>		<p>产品编号(NUMBER): BP-8 产品名称(NAME): 脚垫 FOOTPEAL 模具编号(P/N): BAH10020-A4 材料(MATERIAL): PVC(WHITE:CM7070) 用量(QUANTITY): 4 PCS 重量(WEIGHT): 0.258 g</p>
	<p>产品编号(NUMBER): 50002-D1 产品名称(NAME): 墙挂 WALL TIE ACCESSORIES 模具编号(P/N): BAH10021-A3 材料(MATERIAL): ABS(LIGHT GREY:FS20412) 用量(QUANTITY): 1 PCS 重量(WEIGHT): 23 g</p>		<p>产品编号(NUMBER): PWA3 x 25 产品名称(NAME): 长螺丝 M3x25 规格(STANDARD): M3 x 25 材料(MATERIAL): 铁 IRON 用量(QUANTITY): 4 PCS</p>
	<p>产品编号(NUMBER): S-3 产品名称(NAME): 墙钉 WALL NAIL 模具编号(P/N): BAH10032-A1A2 规格(STANDARD): S x 5 φ 3-4 材料(MATERIAL): PP(GREY :CM5906) 用量(QUANTITY): 4 PCS</p>		



QQ

2406659781



Tel

86-755-83222882
86-18598241813



Add

628Room,505 Building ,Shangbu industry,
Hangtian road ,Futian district ,Shenzhen,
China,518031



Email

emily@szomk.com.cn



skype

szomk1010

