

SZOMK

- 1.
- 2.
- 3.

- 1
 - 2
 - 3
 - 4
-

SZOMK



 **Enclosure Manufacturer**
www.chinaenclosure.com

SZOMK

Customizable
cutout, sticker
silkscreen, color



Weight: 65g
Model No. AK-S-07

Size: 6.33*2.76*1.47 inch
110*70*40 mm

SZOMK

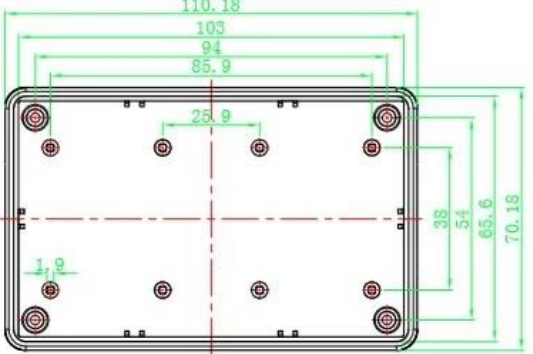
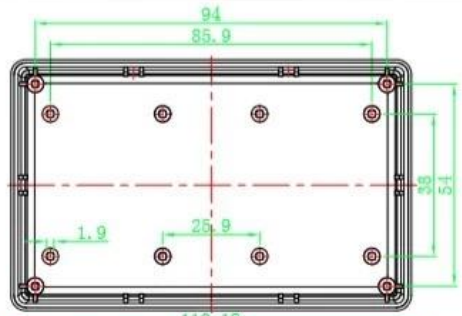
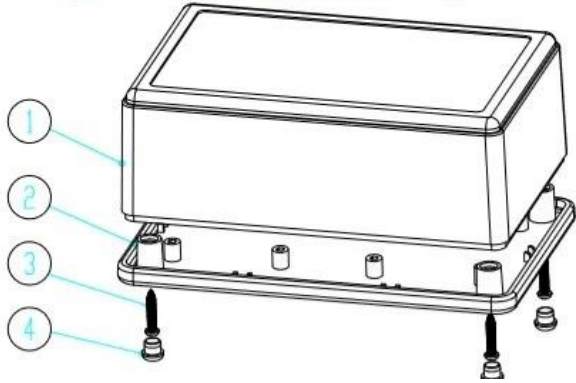
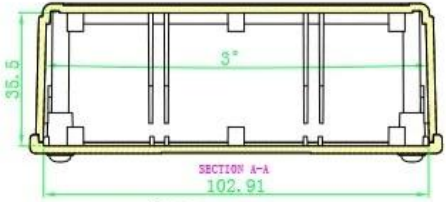
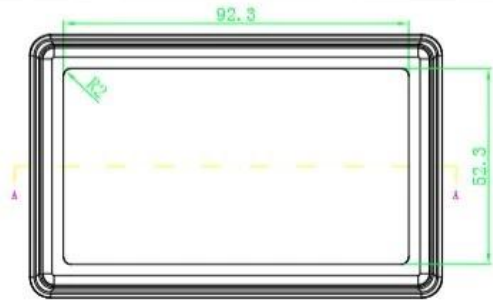


SZOMK



SZOMK







Company Information



Shenzhen Futian Huaqiang Electronic World OMK Electronic Sales Department

This complex, during long years of efforts with its own experienced group and sole facilities for improvement of productions and promotion of products quality, is now one of the largest suppliers of all kinds of metallic and plastic enclosures in different fields of electronic, electrical, communication, medical, industrial and research projects purposes.

In today's industrial world and with the rapid development of all industries, the need of these products is sensed more than ever. Therefore by offering the best quality and service, we try to meet these needs and help you to reach your ideals.

Factory and showroom



Exhibition



Certificate



Packaging & Shipping



□□□□



QQ

3010748891



Tel

81-755-83222882
+86 18819073301



Add

16-6Floor, 505Building ,Shangbu Industry
Area, Hangtian RD, Futian District ,Shenzhen
China



Email

smile@szomk.net



skype

szomk017