

It is widely used in electronic, instrumentation, automation, communications, power supply units, student projects, amplifiers, Medical and wellness devices, test and measurement equipment, industrial control, peripheral devices and interfaces, switch boxes.



abs GPS

- 1.
- 2.
- 3.

- 1
- 2
- 3 3-5
- 4

abs GPS

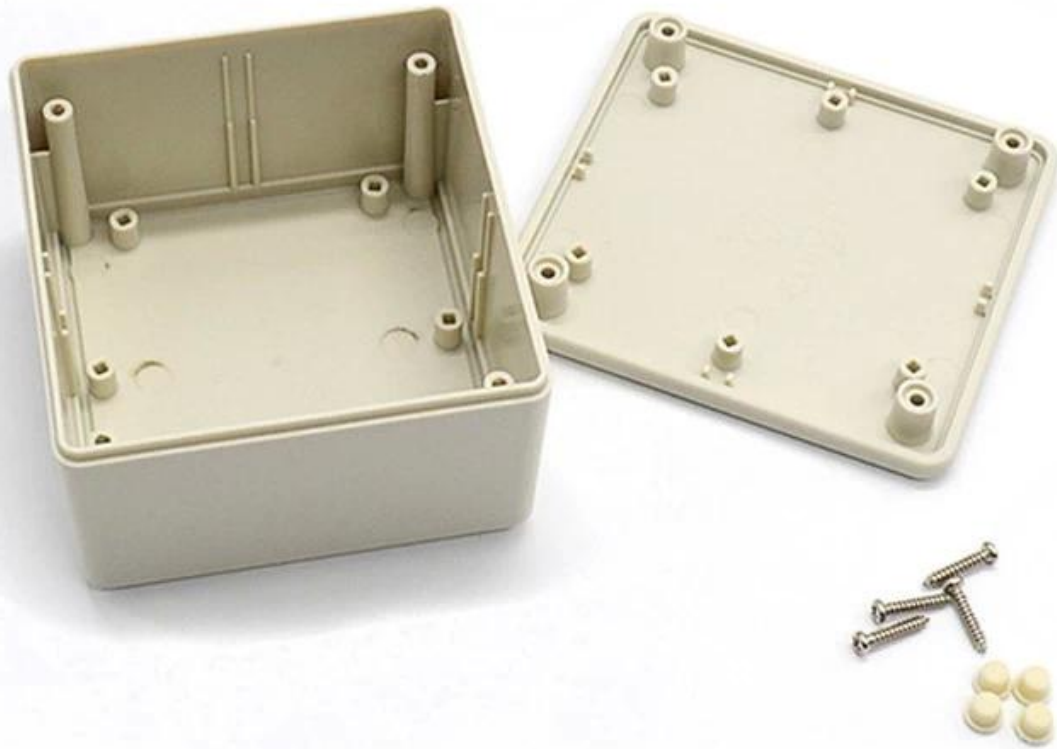
SZOMK



▶ **Enclosure Manufacturer**
www.chinaenclosure.com

SZOMK

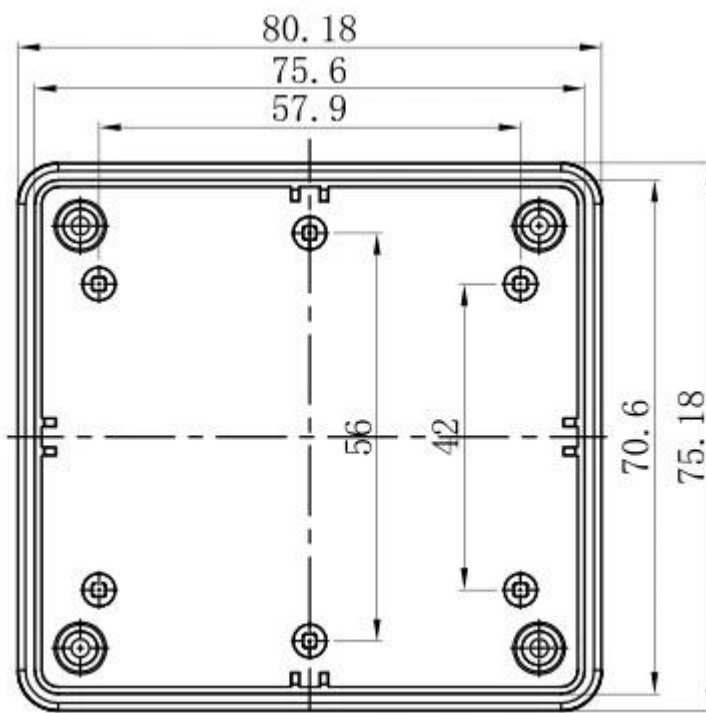
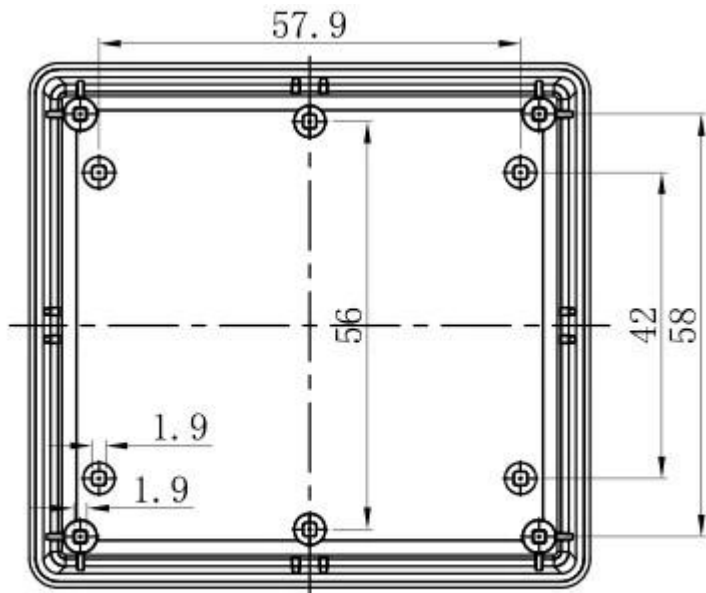
Customizable
cutout, sticker
silkscreen, color

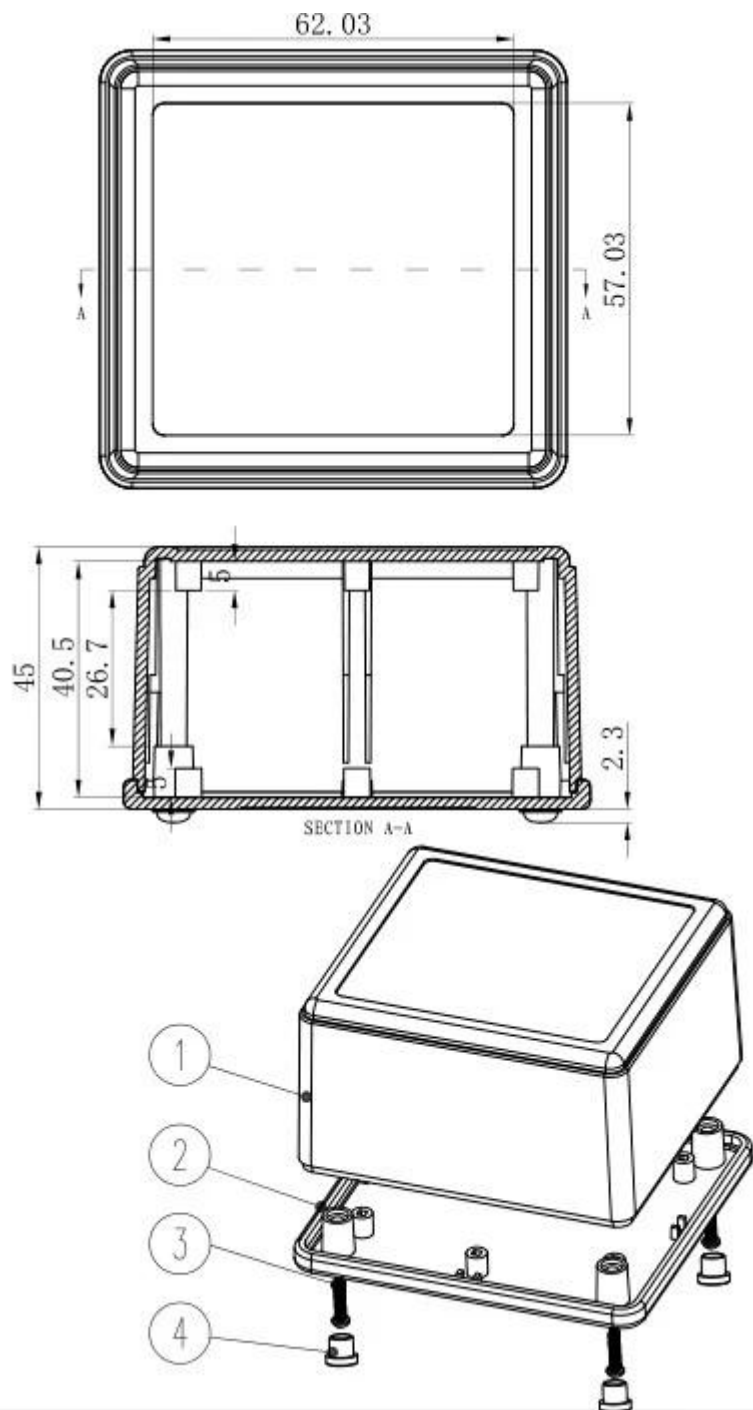


Weight: 55g
Model No. AK-S-10

Size: 3.14*2.95*1.77 inch
80*75*45 mm







□□□□



SZOMK

WE CAN DO



- ✓ **Provide thousands of public enclosure** *MOQ: 1 piece*
- ✓ **Small order custom** *MOQ: 20-30 pcs*
- ✓ **Design private custom enclosure (provide PCB)**
- ✓ **Molding, tooling (provide sample / STEP file)**



cutout, laser engrave, screen printing, sticker, acrylic plate, pvc label, color, silica gel rings, etc.



WE CAN DO

For HOUSING some of the Processing, Openings, Screen, Stickers, PVC LABEL



□□□□□□



Our packaging

Plastic foam packaging



Metal shell packaging



Plastic box packaging



Packaging & Shipping



□□□□



Email

jamila@szomk.com.cn



skype

szomk-004



Tel

86-755-83222882

86-18684887280



QQ

2804842423



WhatsApp

86-18684887280



Add

616Room,505 Building ,Shangbu industry,
Hangtian road ,Futian district ,Shenzhen,
China,518031