

DIY PCB 25 * 36 * 77mm

PCB

SZOMK

Customizable
Cutout, sticker
Silkscreen, color



Weight: 17g

Size: 25*36*77 mm

Model No. AK-W-57

0.98*1.42*3.03 inch

SZOMK

*Customizable
Cutout, sticker
Silkscreen, color*



Weight: 17g

Size: 25*36*77 mm

Model No. AK-W-57

0.98*1.42*3.03 inch

SZOMK

*Customizable
Cutout, sticker
Silkscreen, color*



Weight: 17g

Size: 25*36*77 mm

Model No. AK-W-57

0.98*1.42*3.03 inch

SZOMK

Customizable
Cutout, sticker
Silkscreen, color



Weight: 17g

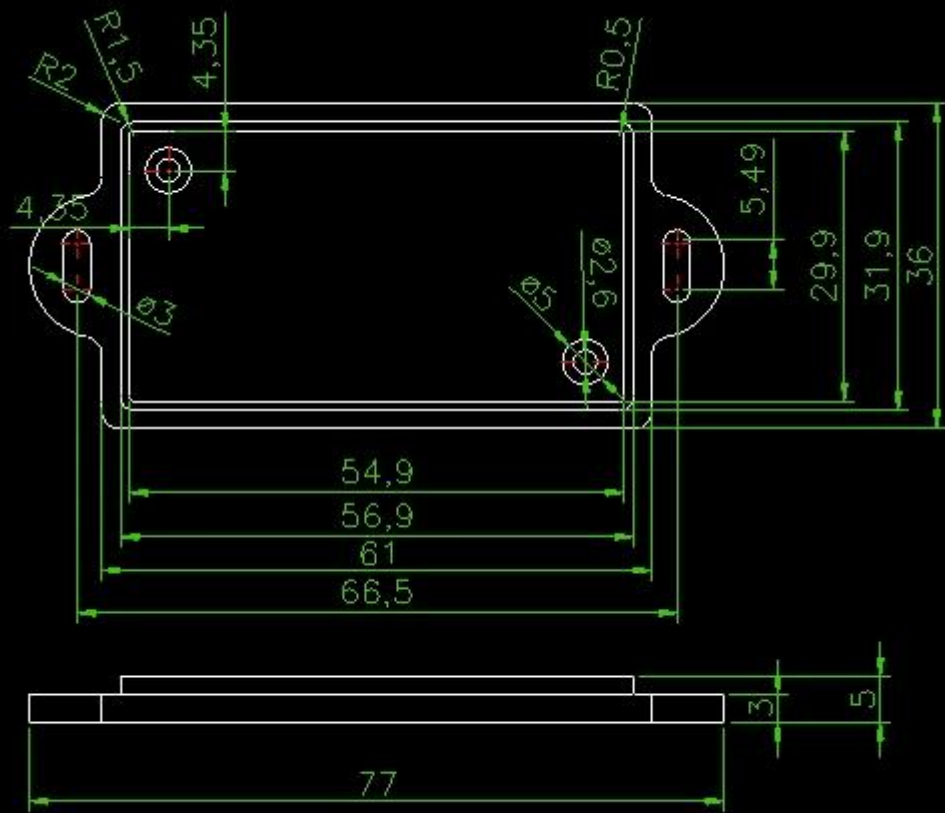
Size: 25*36*77 mm

Model No. AK-W-57

0.98*1.42*3.03 inch

□□	□ □□ □□ □□
□□	AK-W-57
□□	25X36X77mm
□□	17□
□□	□□□□ □□ □□

□□□□□□ □□□



□□□□□□□□□□

