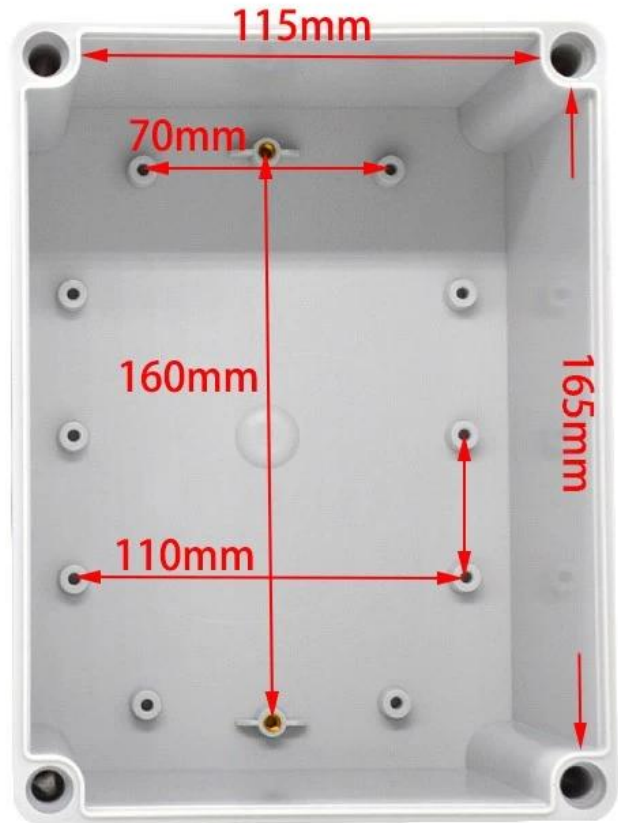


SZOMK IP66 PCB Abs 200 * 150 * 130 mm / AK-AG-28

□□□□□□□□

SZOMK

*Customizable
Cutout, sticker*



Weight: 510g

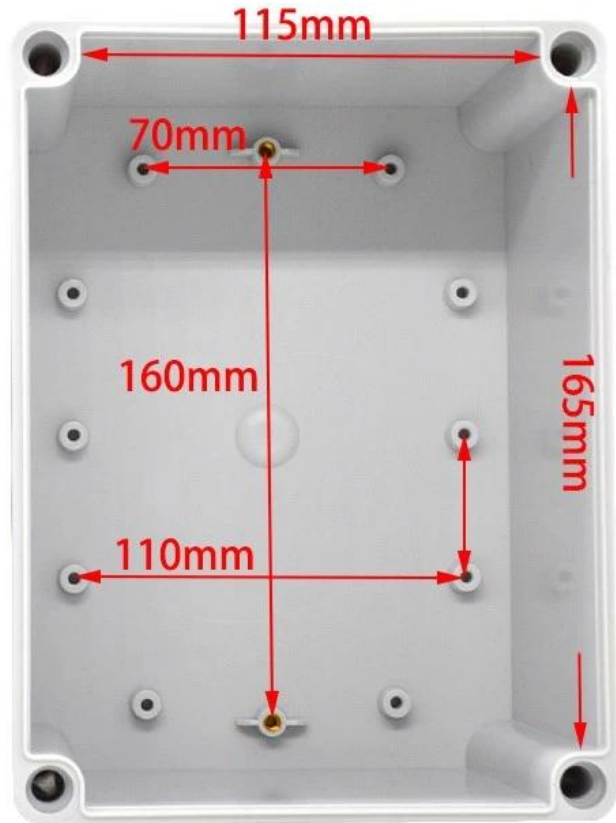
Size: 200*150*130 mm

Model No. AK-AG-28

7.87*5.90*5.11 inch

SZOMK

Customizable
Cutout, sticker



Weight: 510g

Size: 200*150*130 mm

Model No. AK-AG-28

7.87*5.90*5.11 inch

SZOMK

*Customizable
Cutout, sticker*



Weight: 510g

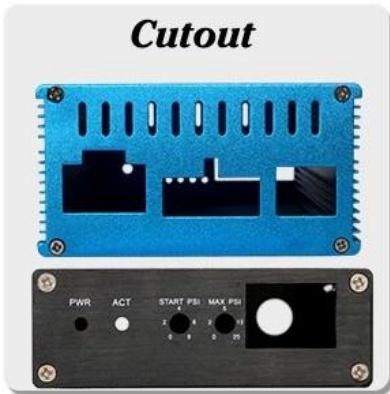
Size: 200*150*130 mm

Model No. AK-AG-28

7.87*5.90*5.11 inch

□□	□□ □□ □□
□□ □□□	AK-AG-28
□□	200 * 150 * 130□□
□□	□□ □ □□□ □□ □□
□□	510□

□□□□□□□□□□



1. □□□□□□□□□□

2. □□□□□□□□□□□□□□□□

3. □□□□□□□□□□□□3-5□□□□□□□□

4. □□□□□□□□□□

□□□□□□

