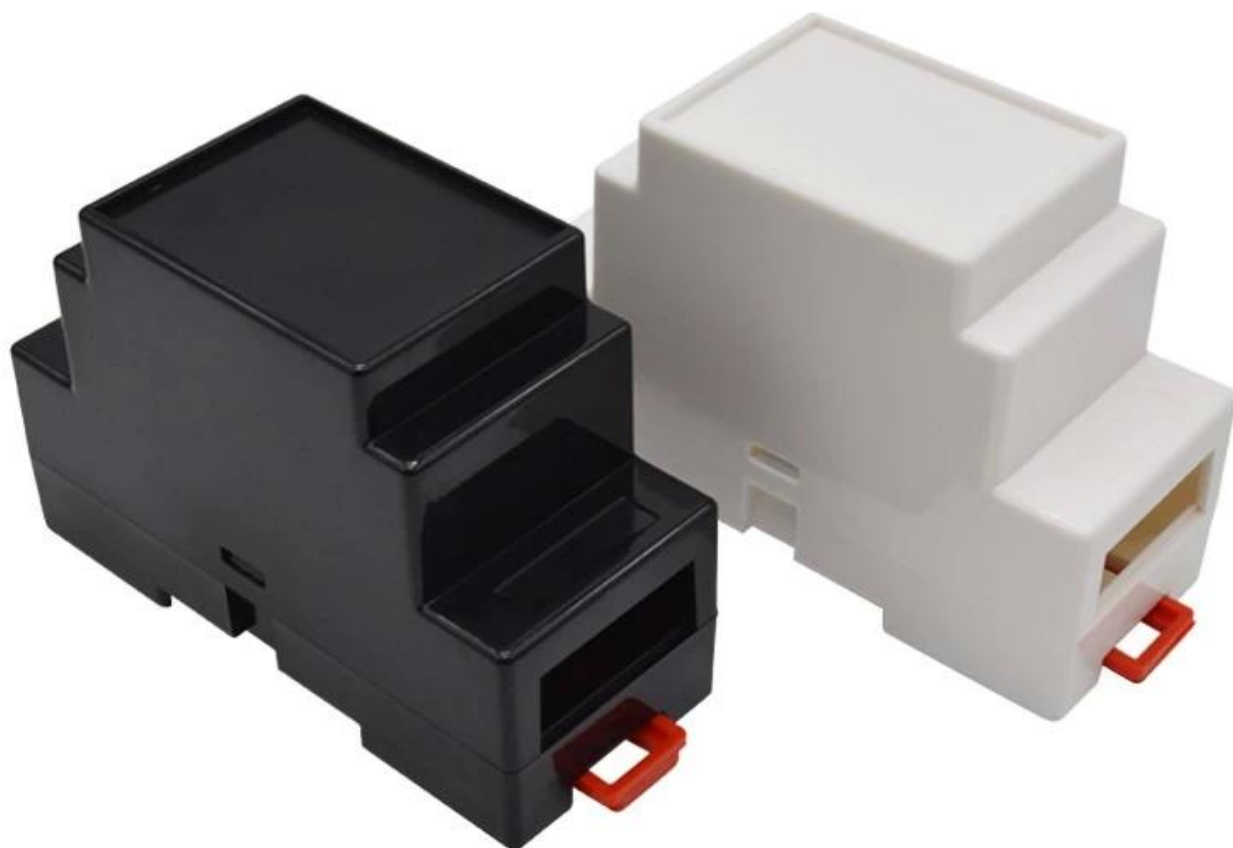


□□□□□□DIN□□ABS□□□□

# SZOMK



▶ **Enclosure Manufacturer**

[www.chinaenclosure.com](http://www.chinaenclosure.com)

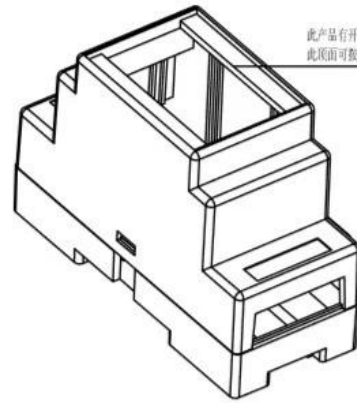
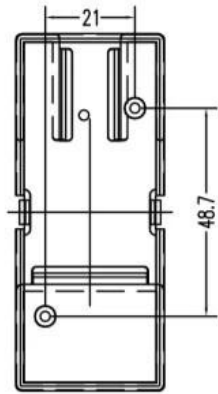
# SZOMK

Customizable  
cutout, sticker  
silkscreen, color

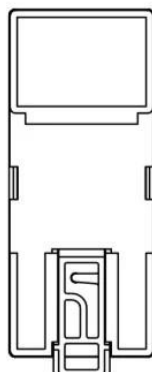
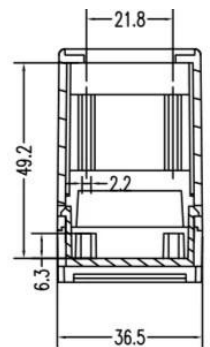
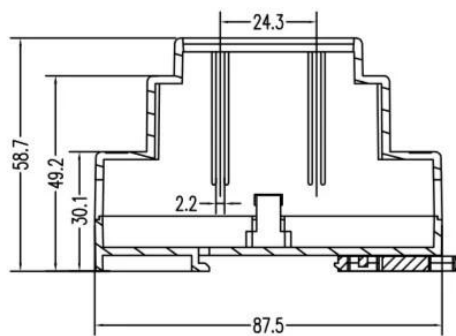
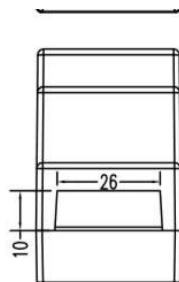
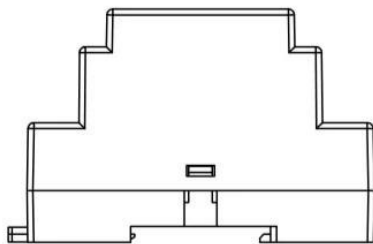
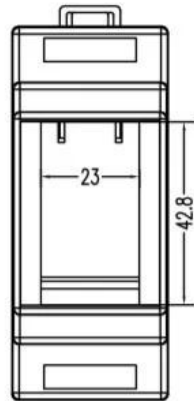


Weight: 40g  
Model No. AK-DR-01

Size: 3.46\*1.46\*2.32 inch  
88\*37\*59 mm



此产品有开孔与未开孔两款，  
此页面可恢复未开孔。



**DIN ABS**

- 1.
- 2.
- 3.

- 1.
- 2.
- 3.
- 4.



## Company Information



### Shenzhen Futian Huaqiang Electronic World OMK Electronic Sales Department

This complex, during long years of efforts with its own experienced group and sole facilities for improvement of productions and promotion of products quality, is now one of the largest suppliers of all kinds of metallic and plastic enclosures in different fields of electronic, electrical, communication, medical, industrial and research projects purposes.

In today's industrial world and with the rapid development of all industries, the need of these products is sensed more than ever. Therefore by offering the best quality and service, we try to meet these needs and help you to reach your ideals.



## Factory and showroom



## Certificate



# Packaging & Shipping



□□□□