

It is widely used in electronic, instrumentation, automation, communications, power supply units, student projects, amplifiers, Medical and wellness devices, test and measurement equipment, industrial control, peripheral devices and interfaces, switch boxes.



abs□□□□□□□□□□

- 1.□□□□□□□□□□□□□□□□
- 2.□□□□□□□□□□□□□□□□□□
- 3.□□□□□□□□□□□□□□□□□□

□□□□□□□□

- 1.□□□□□□□□□□□□□□□□
- 2.□□□□□□□□□□□□□□□□□□□□□□□□□□□□□□□□
- 3.□□□□□□□□□□□□3-5□□□□□□□□
- 4.□□□□□□□□

abs□□□□□□□□□□

SZOMK



▶ **Enclosure Manufacturer**
www.chinaenclosure.com

SZOMK

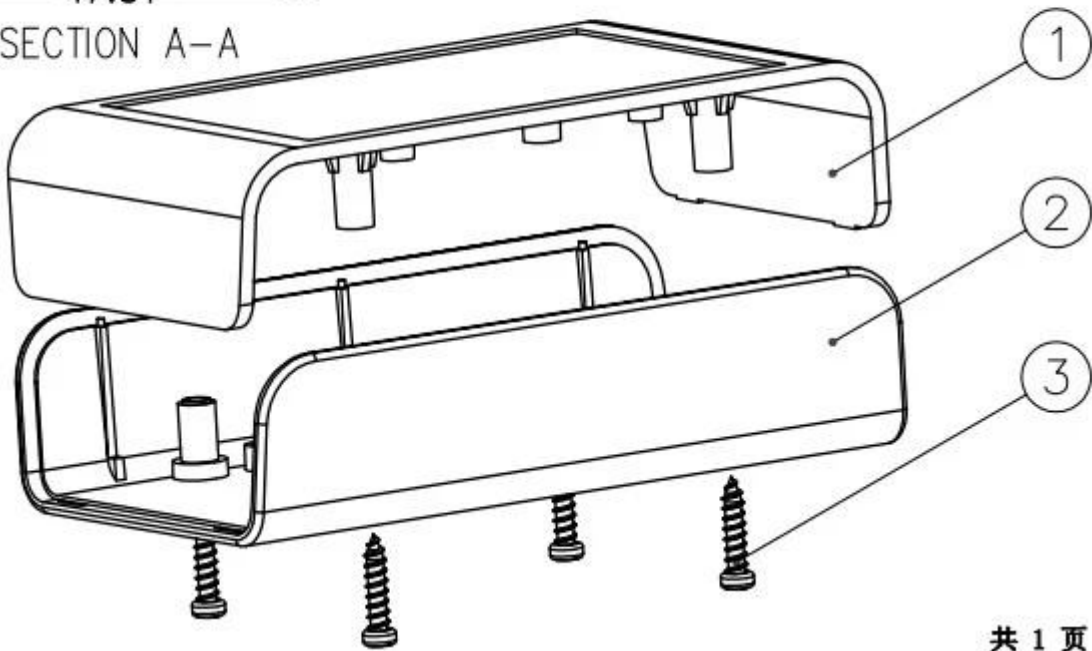
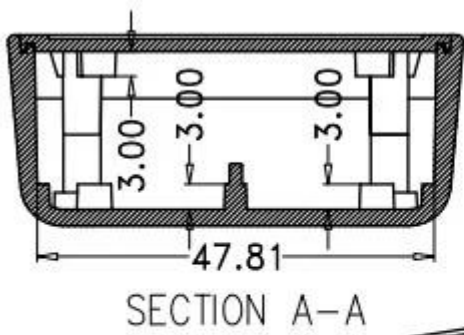
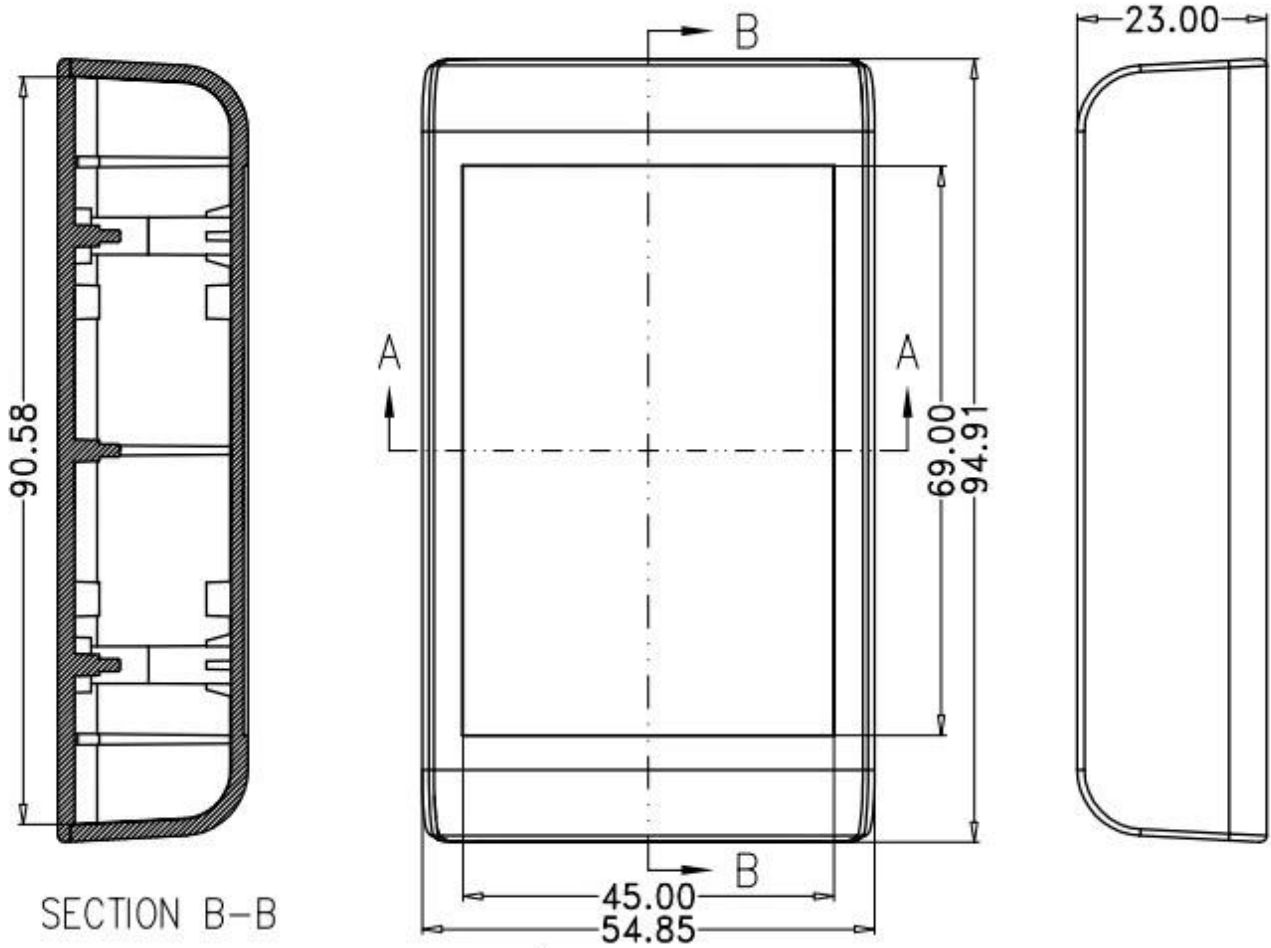
Customizable
cutout, sticker
silkscreen, color



Weight: 24g
Model No. AK-S-01

Size: 3.15*1.97*0.75inch
80*50*19 mm

□□ □□





SZOMK

WE CAN DO



- ✓ **Provide thousands of public enclosure** *MOQ: 1 piece*
- ✓ **Small order custom** *MOQ: 20-30 pcs*
- ✓ **Design private custom enclosure (provide PCB)**
- ✓ **Molding, tooling (provide sample / STEP file)**



cutout, laser engrave, screen printing, sticker, acrylic plate, pvc label, color, silica gel rings, etc.



WE CAN DO

For HOUSING some of the Processing, Openings, Screen, Stickers, PVC LABEL



□□□□□□



Our packaging

Plastic foam packaging



Metal shell packaging

Plastic box packaging



Packaging & Shipping



□□□□



Email

jamila@szomk.com.cn



skype

szomk-004



Tel

86-755-83222882

86-18684887280



QQ

2804842423



WhatsApp

86-18684887280



Add

616Room,505 Building ,Shangbu industry,
Hangtian road ,Futian district ,Shenzhen,
China,518031