

It is widely used in electronic, instrumentation, automation, communications, power supply units, student projects, amplifiers, Medical and wellness devices, test and measurement equipment, industrial control, peripheral devices and interfaces, switch boxes.



abs □ □ □ □ □ □ □ □ □ □ □ □ □ □ □ □

- 1. □ □ □ □ □ □ □ □ □ □ □ □ □ □ □ □
- 2. □ □ □ □ □ □ □ □ □ □ □ □ □ □ □ □
- 3. □ □ □ □ □ □ □ □ □ □ □ □ □ □ □ □

□ □ □ □ □ □ □ □

- 1. □ □ □ □ □ □ □ □ □ □ □ □ □ □ □ □
- 2. □ □ □ □ □ □ □ □ □ □ □ □ □ □ □ □
- 3. □ □ □ □ □ □ □ □ 3-5 □ □ □ □ □ □
- 4. □ □ □ □ □ □ □ □

abs □ □ □ □ □ □ □ □ □ □ □ □ □ □ □ □

SZOMK



▶ **Enclosure Manufacturer**
www.chinaenclosure.com

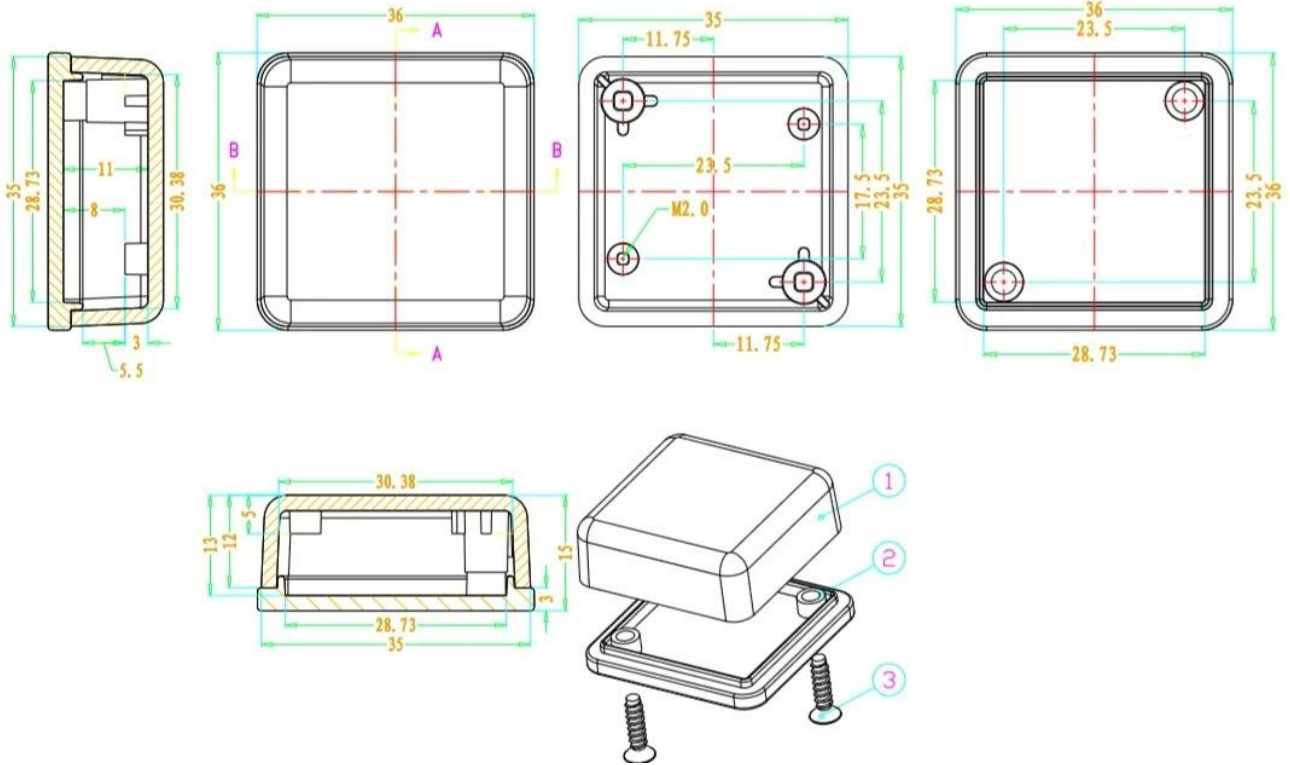
SZOMK

Customizable
cutout, sticker
silkscreen, color



Weight: 9g
Model No. AK-S-107

Size: 1.42*1.42*0.59 inch
36*36*15 mm



SZOMK

WE CAN DO

- ✓ **Provide thousands of public enclosure** MOQ: 1 piece
- ✓ **Small order custom** MOQ: 20-30 pcs
- ✓ **Design private custom enclosure (provide PCB)**
- ✓ **Molding, tooling (provide sample / STEP file)**



cutout, laser engrave, screen printing, sticker, acrylic plate, pvc label, color, silica gel rings, etc.



WE CAN DO

**For HOUSING some of the Processing,
Openings, Screen, Stickers, PVC LABEL**



□□□□□□



Our packaging

Plastic foam packaging



Metal shell packaging



Plastic box packaging



Packaging & Shipping

TNT
sure we can

ups
WE LOGISTICS™

SF EXPRESS
顺丰速运

FedEx
Express

EMS

DHL

PayPal **WESTERN UNION** **VISA** **ESCROW** **MasterCard** **HSBC**

□□□□



QQ

2110283100



Tel

81-755-83222882
+86 18819074698



Add

16-6Floor, 505Building ,Shangbu Industry
Area, Hangtian RD, Futian District ,Shenzhen
China



Email

teddy@szomk.net



skype

teddy@szomk.net



WeChat

teddy07277