

95 * 55 * 23mm



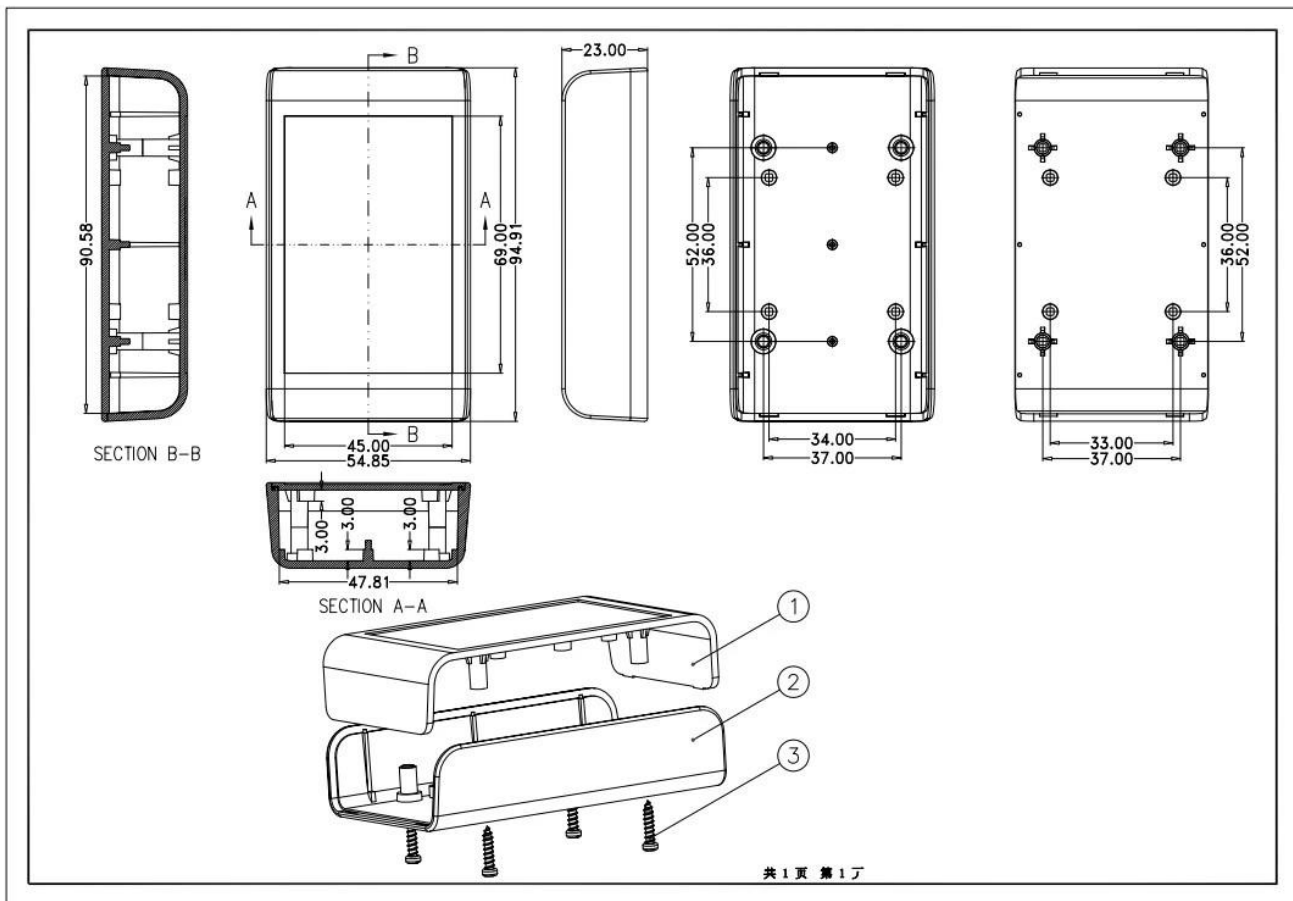
AK-S-02	
AK-S-02	Připojení
AK-S-02	AK-S-02
AK-S-02	95X55X23 mm /3.74*2.17*0.91
AK-S-02	36

□□□□	□/□/□□□□□□
□□□□	□/□/□□□□□□
□□	ABS□□
□□□□	□□/□□□□/□□□□/□□/□□/□□□□
□□	PDF / CAD / 3D
□□	□□□□□□DIY□□

□□ □□□□□□□□□□

1. □□□□□□□□□□□□□□□□□□
2. □□□□□□□□□□□□□□□□□□□□
3. □□□□□□□□□□□□□□□□□□□□

□□□□



□□□□□□□□□□ □□ □□□□



We can do customization

1. 快速打样

1. 快速打样

2. 承接DIY项目 承接小批量生产 承接20-50件

3. 承接各种塑料件加工 承接PCB板

4. 承接各种金属件加工 承接STEP文件

6. 承接各种材料加工 PVC板/亚克力板/铝型材/五金件/硅胶件

其他项目



Company Profile

High Quality Enclosure One-stop Service

1000

SZOMK

SZOMK ABS UL94-HB



R&D
CUSTOMIZE



Advanced
TECHNOLOGY



Strictly
QUALITY CONTROL



Excellent
SERVICE TEAM



✓ **Certificated iso,quality assurance**
Certificated FCC &CE

Small order	It's no problem MOQ=1
QTY order	High quality short delivery time
Urgent order	Urgent order no problem how many pcs finished we will sending to you at once

□□□□ □□□□□□□□
 1□□□□□□□□□□
 2□□□□□□□□□□
 3□□□□□□□□
 □□□

