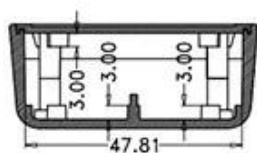
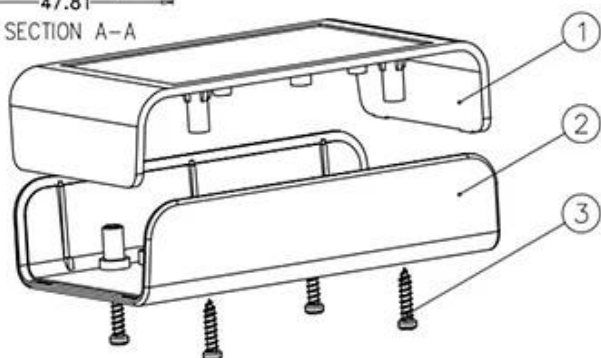


PCB 19 * 50 * 80mm

Sh



SECTION A-A



PCB

PCB	P
AK-S-01	
žĚ	80X50X19 / 3.15 * 1.97 * 0.75
	24



Company Profile

High Quality Enclosure One-stop Service

1000

SZOMK

SZOMK ABS UL94-HB



- 1
- 2
- 3

	1-3
	3-10
	10-20