

SZOMK

- 1.
- 2.
- 3.

- 1
 - 2
 - 3-5
 - 4
-

SZOMK



 **Enclosure Manufacturer**
www.chinaenclosure.com

SZOMK

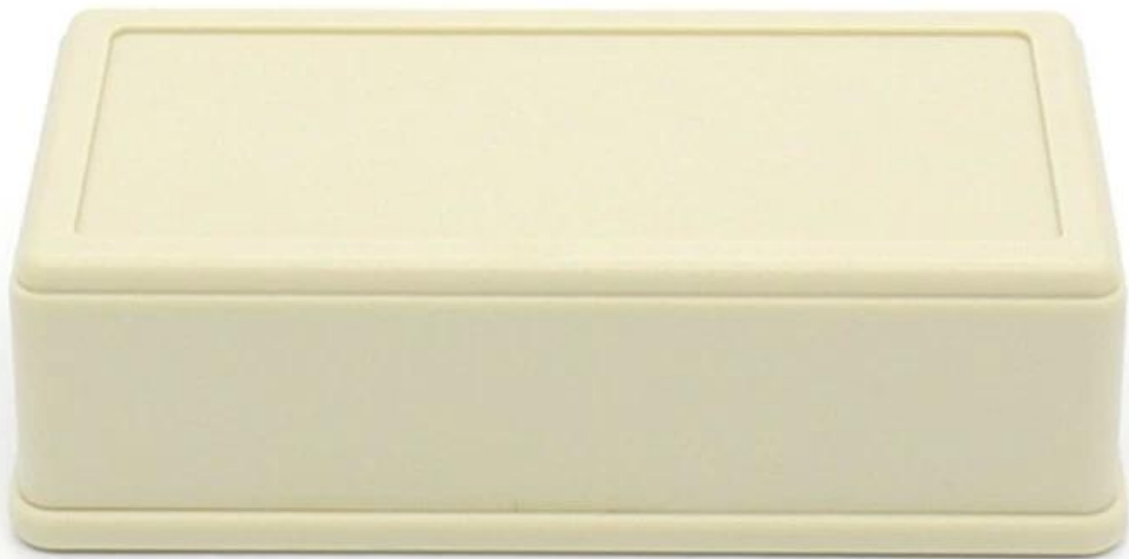
Customizable
cutout, sticker
silkscreen, color



Weight: 61g
Model No. AK-S-06

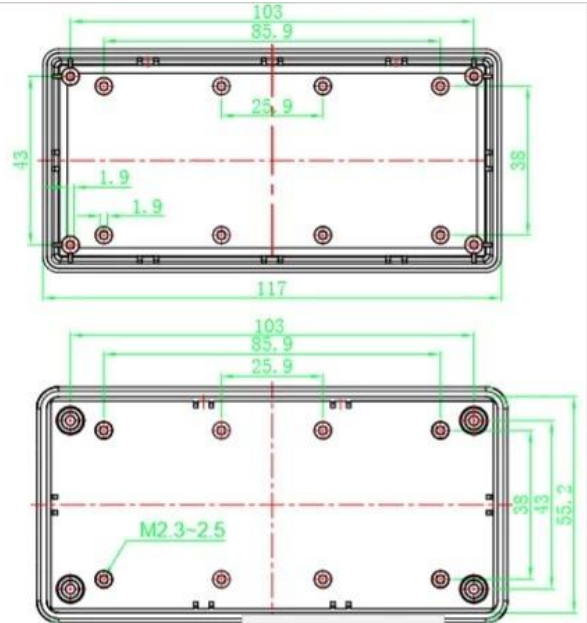
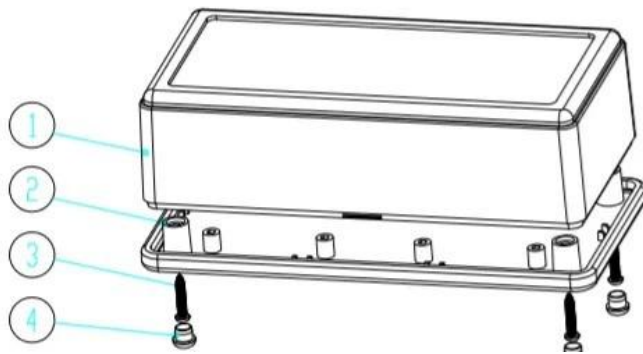
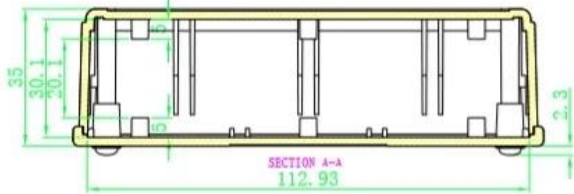
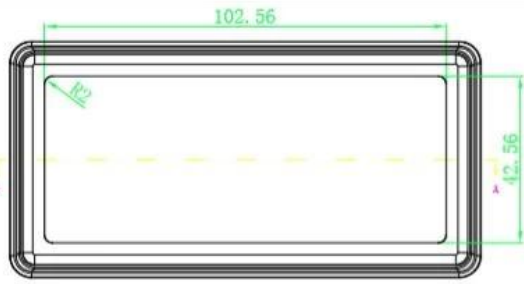
Size: 4.72*2.36*1.38 inch
120*60*35 mm

SZOMK



SZOMK





显示或隐藏工具栏

打印

另存为

共享

朗读此页内容



Company Information



Shenzhen Futian Huaqiang Electronic World OMK Electronic Sales Departmen

This complex, during long years of efforts with it's own experienced group and sole facilities for improvement of productions and promotion of products quality, is now one of the largest suppliers of all kinds of metallic and plastic enclosures in different fields of electronic, electrical, communication, medical, industrial and research prtojects purposes.

In today's industrial world and with the rapid development of all industries, the need of these products is sensed more than ever. Therefore by offering the best quality and service, we try to meet these needs and help you to reach your ideals.

Factory and showroom



Exhibition



Certificate



Packaging & Shipping



□□□□



T/T, WESTERN UNION, MONEY
GRAM AND PAYPAL ACCPETED.

Welcome to inquire!

Tel: 86-755-8322 2882

Email: devin@szomk.net

Contact Us