

**platic**

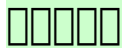
**AK-S-102**

**92 \* 68.5 \* 28mm**

**ABS**

**1**

**20**



**SZOMK**



▶ **Enclosure Manufacturer**  
[www.chinaenclosure.com](http://www.chinaenclosure.com)

# SZOMK

Customizable  
cutout, sticker  
silkscreen, color



Weight: 53g  
Model No. AK-S-102

Size: 3.62\*2.70\*1.10 inch  
92\*68.5\*28 mm

**SZOMK**



**SZOMK**



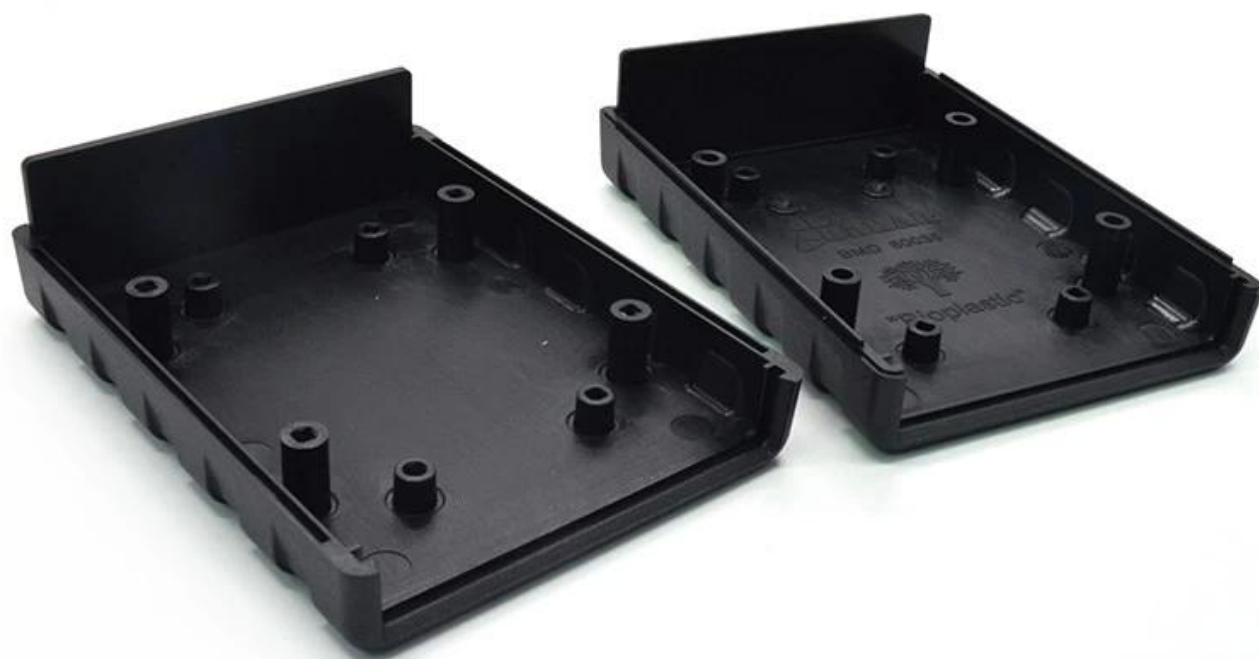
**SZOMK**



**SZOMK**



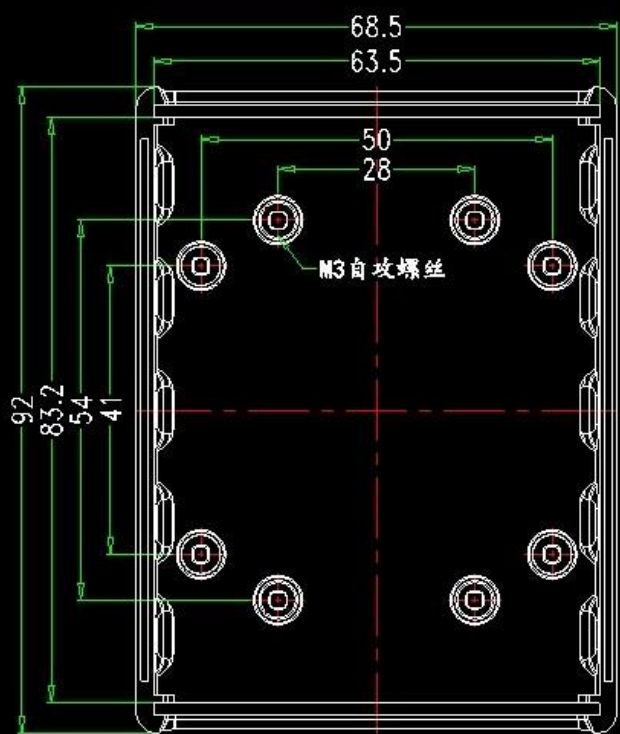
# SZOMK



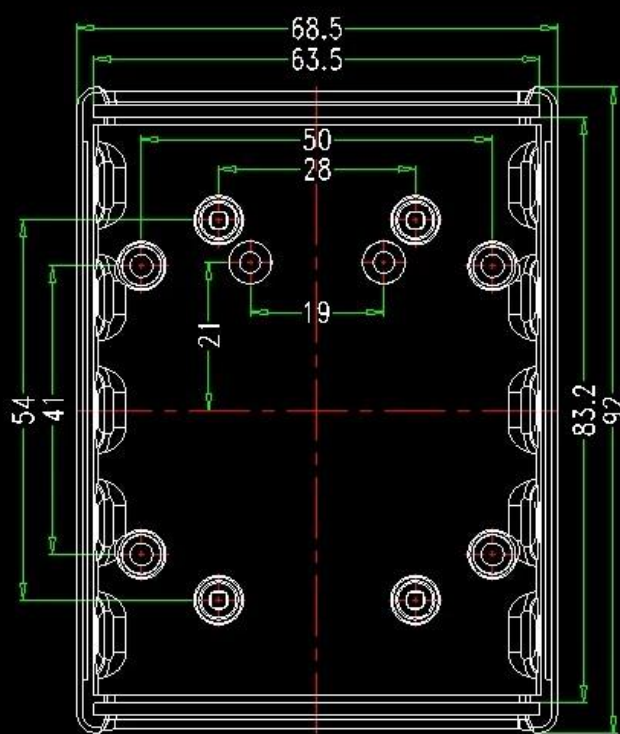


# SZOMK

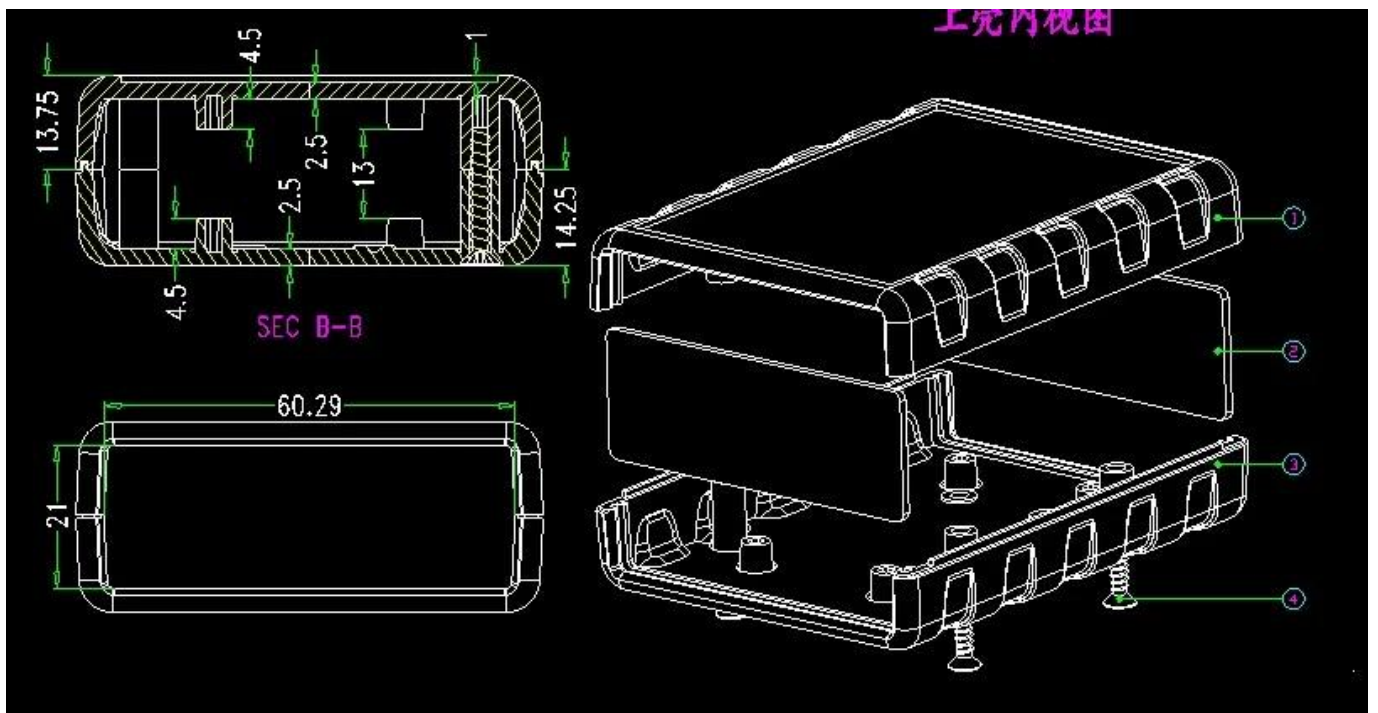
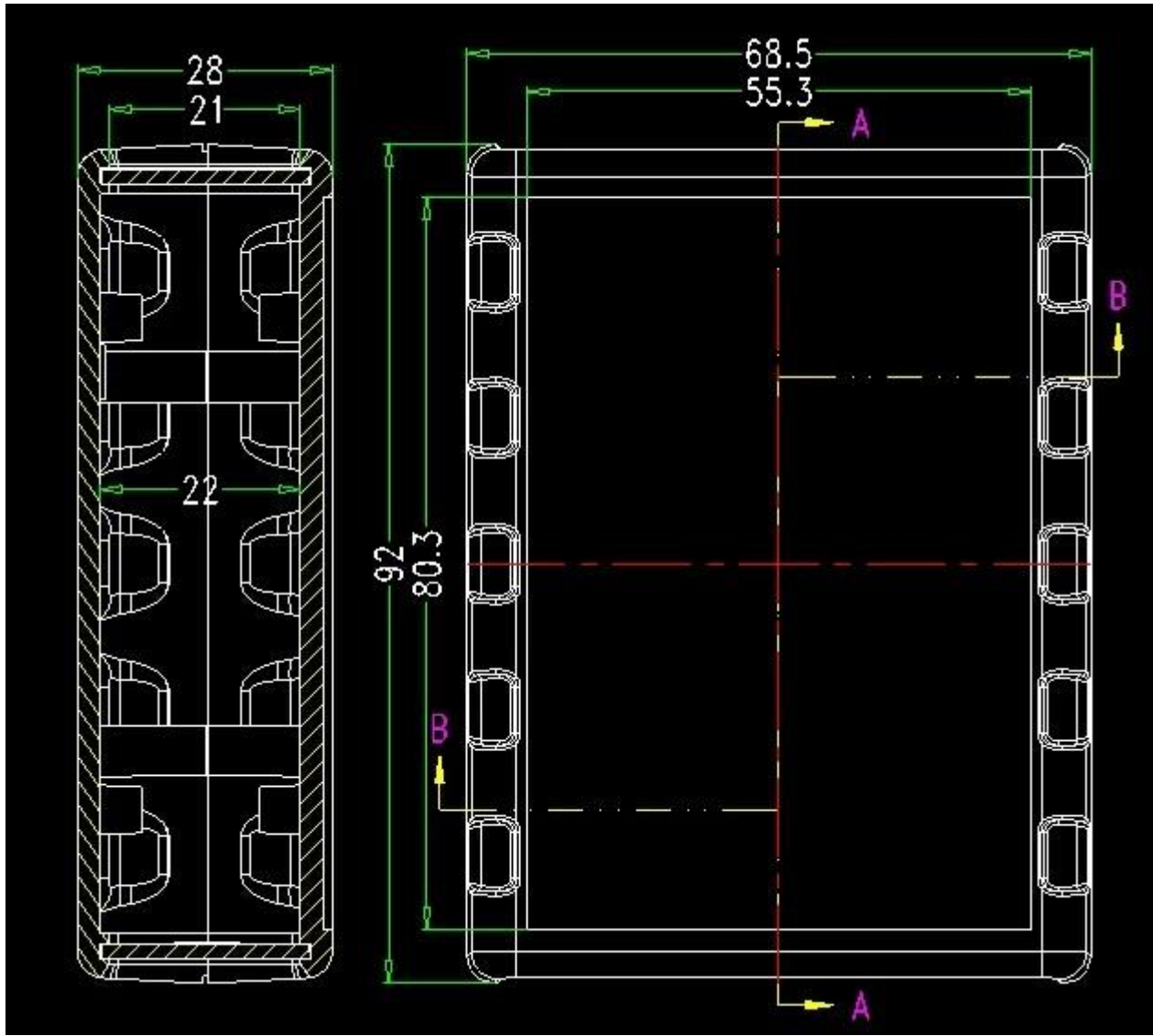




上壳内视图



下壳内视图



□□□□□□□□□□□□

- 1□□□□□ 2□□□□□□□□□□□□
- 3□□□□□□ 4□□□□□□□
- 5□□□□□ 6□□□□□
- 7□□□□□□ 8□PVC□□□□
- 9□□□□□□ 10□□□□□□
- 11□□□□□ 12□□□□□□□
- 13□□□□□ 14□□□□□□
- 15□□□□□□□ 16□□□□□□

**We can do customize**

- Silkscreen**: Images of a silver GPS Logistic device and a black chip tuning box.
- Sticker**: Images of various colored plates (yellow, black, blue) and a metal plate with a 'R1000' label.
- Silicone Seals**: Image of a blue rectangular silicone seal.
- Color**: Images of various colored plates (blue, black, pink, yellow, grey).
- Cutout**: Image of a red metal box.
- Plate**: Images of various colored plates (yellow, black, blue) and a metal plate with a 'R1000' label.

# We can do customize

Cut holes  
Silkscreen  
Sticker



# We can do customize

change the color



# We can do customize

PVC lable  
Acrylic plate  
Sticker



# We can do customize

Cut holes  
Silkscreen  
Laser carve





**We can do customize**

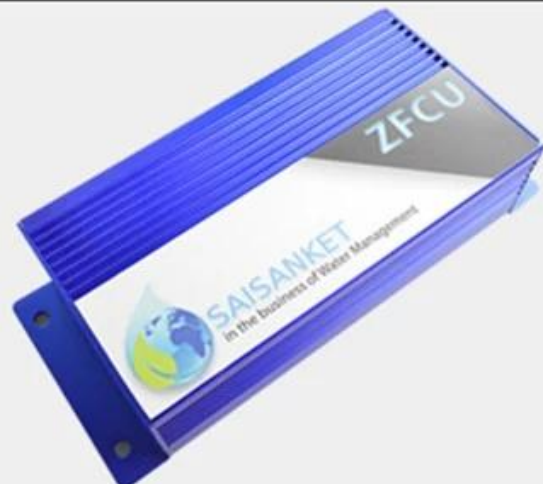


**UV  
Protection**



# We can do customize

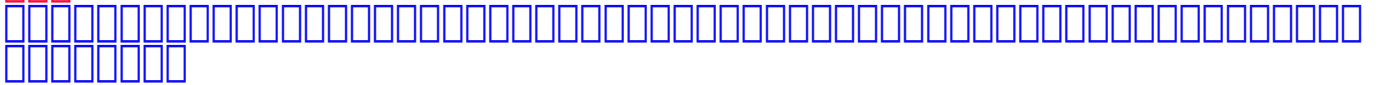
Cut holes  
Silkscreen  
Sticker



# We can do customize



Polishing  
Color







QQ

505924585



Tel

86-755-83222882  
86-13028816914



Add

628Room,505 Building ,Shangbu industry,  
Hangtian road ,Futian district ,Shenzhen,  
China,518031



Email

[lily@szomk.net](mailto:lily@szomk.net)



skype

szomk006

## Company Information



### Shenzhen Futian Huaqiang Electronic World OMK Electronic Sales Department

This complex, during long years of efforts with its own experienced group and sole facilities for improvement of productions and promotion of products quality, is now one of the largest suppliers of all kinds of metallic and plastic enclosures in different fields of electronic, electrical, communication, medical, industrial and research projects purposes.

In today's industrial world and with the rapid development of all industries, the need of these products is sensed more than ever. Therefore by offering the best quality and service, we try to meet these needs and help you to reach your ideals.

## Exhibition



## Certificate



## Factory and showroom



## Packaging & Shipping



# SZOMK

Shenzhen Futian Huaqiang Electronic World OMK  
Electronic Sales Department

Tel: +86-755-83222882 E-mail: [hyj@szomk.com.cn](mailto:hyj@szomk.com.cn)



# SZOMK

## Our packaging

Plastic foam packaging



Metal shell packaging

Plastic box packaging



☐☐☐☐☐☐☐☐ [lily@szomk.net](mailto:lily@szomk.net)

☐☐☐☐☐☐☐☐ 24☐☐☐☐☐☐ ☐o☐