

Technische Daten:

Ursprungsort: Shenzhen, China

Typ: Plastic Elektronikgehäuse Anschlussdose

Modell-Nr .: AK-H-59

Größe: 190 * 81 * 31mm

Material: ABS-Kunststoff

Beispiel MOQ: 1 Stück

KundenspezifischBedienung: Ausschnitt, Siebdruck, Farbe, Aufkleber, Lasergravur, Acryl-Blatt, erstellen Schimmel

Kundengebundenes MOQ: 20 PC

Verpackung: Karton

SZOMK



▶ **Enclosure Manufacturer**
www.chinaenclosure.com

SZOMK

Customizable
cutout, sticker
silkscree, color



Weight: 112g
Model No. AK-H-59

Size: 190*81*31mm
7.4*3.2*1.2inch

SZOMK



12g

AK-H-59

SZOMK



SZOMK



SZOMK



SZOMK



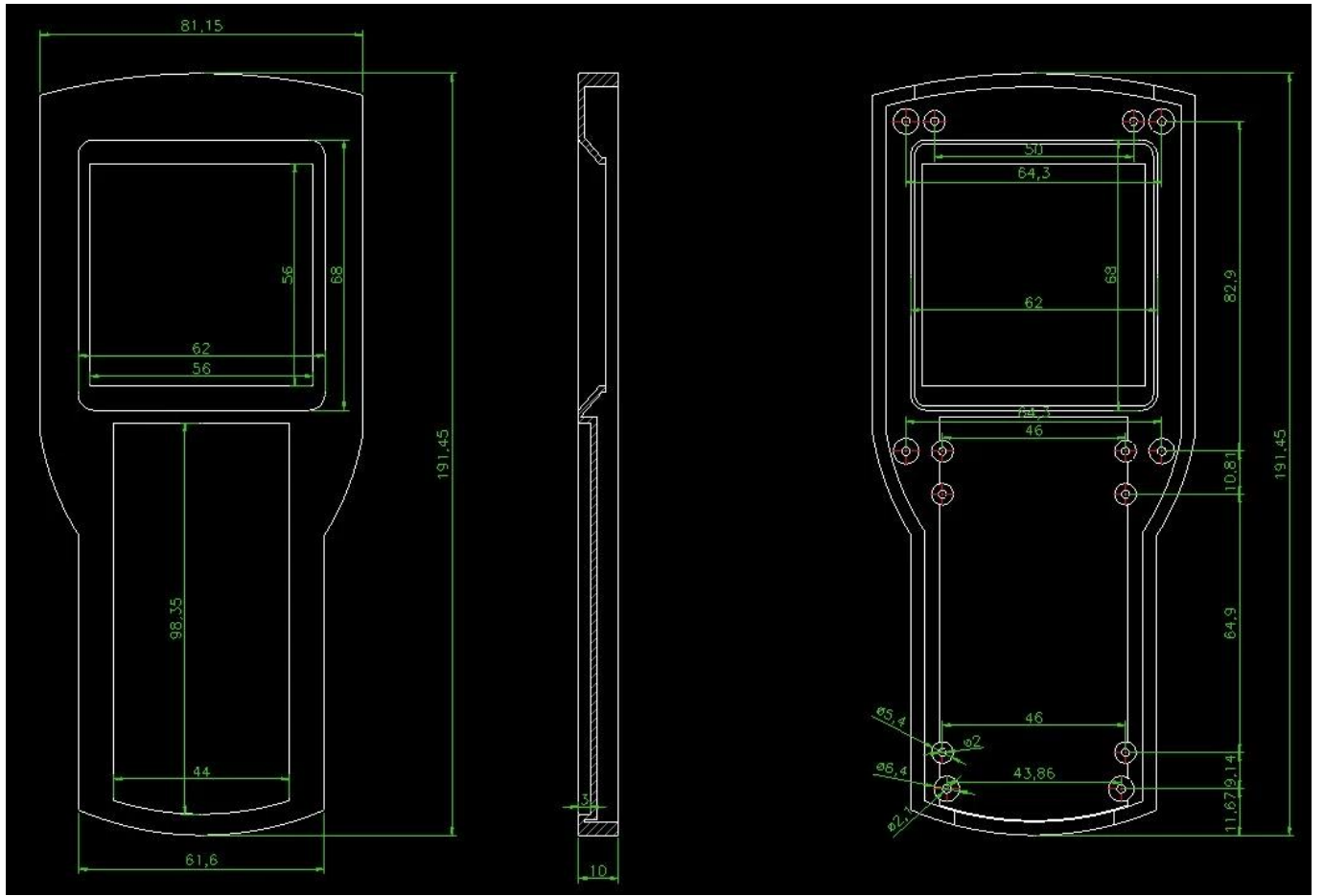
112g

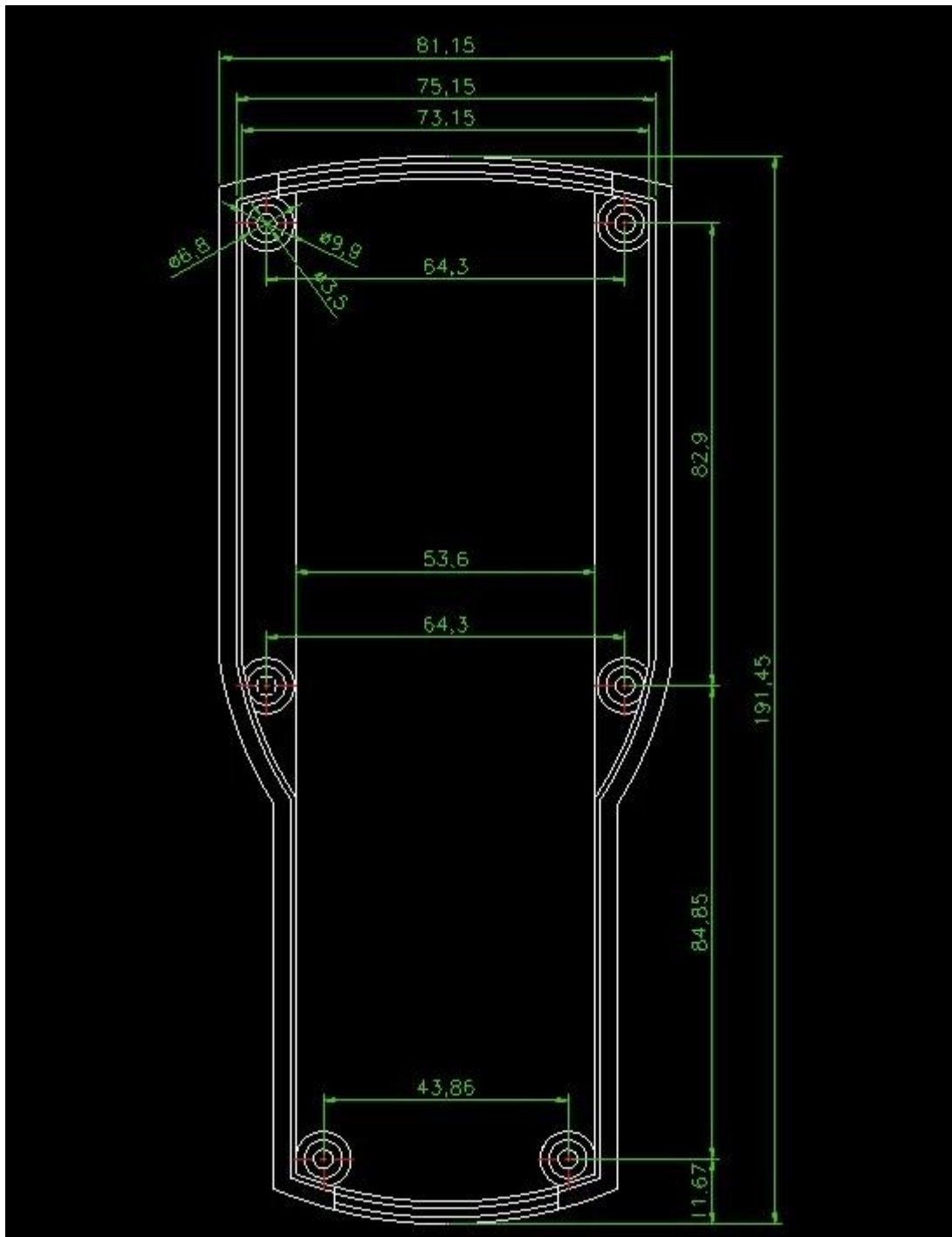


AK-H-59

SZOMK







Hier ist unser individueller Service:

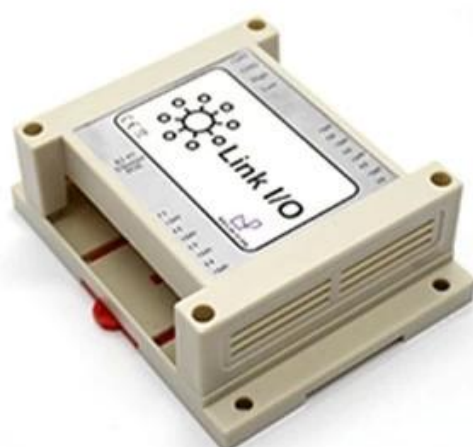
- | | |
|---------------------------|------------------------------------|
| 1, ändern Aluminium Länge | 2, ändern Sie Farbe unserer Kästen |
| 3, Produkt Polieren | 4, Pulverbeschichtung |
| 5, gebürstet Öl | 6, Ausschnitt |
| 7, Lasergravur | 8, PVC-Etikett |
| 9, Acrylplatte | 10, Siebdruck |
| 11, bilden Aufkleber | 12, Kieselgelkanten |
| 13, Sandstrahlen | 14, Drahtziehen |

We can do customize

- Plate**: Images of various metal plates in yellow, black, and blue, some with holes and cutouts.
- Silkscreen**: A silver metal box with "GPS Logistic" printed on it.
- Sticker**: A black rectangular sticker with "CHIPTUNING-BOX" and "CHIP TUNINGMAX" printed on it.
- Silicone Seals**: A blue rectangular silicone seal with a central cutout.
- Color**: A collection of small, colorful metal parts in blue, black, pink, yellow, and silver.
- Cutout**: A red metal box with a large circular cutout on its front panel.

We can do customize

Cut holes
Silkscreen
Sticker



We can do customize

change the color



We can do customize

PVC lable
Acrylic plate
Sticker



We can do customize

Cut holes
Silkscreen
Laser carve



We can do customize



**UV
Protection**



We can do customize

Cut holes
Silkscreen
Sticker



We can do customize



Benutzen:

Es ist weit verbreitet in der Elektronik, Instrumentierung, Automatisierung, Kommunikation, Stromversorgung vereinigt, Studentenprojekte, Verstärker, medizinische Geräte, Test-und Messtechnik, industrielle Steuerung, Peripheriegeräte und Schnittstellen, Switch-Boxen.

It is widely used in electronic, instrumentation, automation, communications, power supply units, student projects, amplifiers, Medical and wellness devices, test and measurement equipment, industrial control, peripheral devices and interfaces, switch boxes.



Aufmerksamkeit:

Willkommen, zum mit wir für weitere Einzelheiten und Zitate unseres Gehäuses in Verbindung zu treten, Ihre Anfrage wird sicher Antwort sofort in 24 Stunden erhalten. Aufrechtzuerhalten.



QQ

505924585



Tel

86-755-83222882
86-13028816914



Add

628Room,505 Building ,Shangbu industry,
Hangtian road ,Futian district ,Shenzhen,
China,518031



Email

lily@szomk.net



skype

szomk006

Company Information



Shenzhen Futian Huaqiang Electronic World OMK Electronic Sales Department

This complex, during long years of efforts with its own experienced group and sole facilities for improvement of productions and promotion of products quality, is now one of the largest suppliers of all kinds of metallic and plastic enclosures in different fields of electronic, electrical, communication, medical, industrial and research projects purposes.

In today's industrial world and with the rapid development of all industries, the need of these products is sensed more than ever. Therefore by offering the best quality and service, we try to meet these needs and help you to reach your ideals.

Exhibition



Certificate



Factory and showroom



Packaging & Shipping



Shenzhen Futian Huaqiang Electronic World OMK
Electronic Sales Department

Tel: +86-755-83222882 E-mail: hyj@szomk.com.cn



SZOMK

Our packaging

Plastic foam packaging



Metal shell packaging



Plastic box packaging



**Jede Anfrage, kontaktieren Sie bitte:
lily@szomk.net**

**Ihre Anfrage würde mit 24 Stunden
beantwortet werden. : O)**

