

Schnelle Details

Modellnummer: AK-DR-19

Externe Größe: 200x90x70mm

Farbe weiß

Material: abs

Gewicht: 156G

SZOMK



▶ **Enclosure Manufacturer**
www.chinaenclosure.com

SZOMK

Customizable
cutout, sticker
silkscreen, color



Weight: 155g

Model No. AK-DR-19

Size: 7.87*3.54*2.76 inch

200*90*70 mm

SZOMK

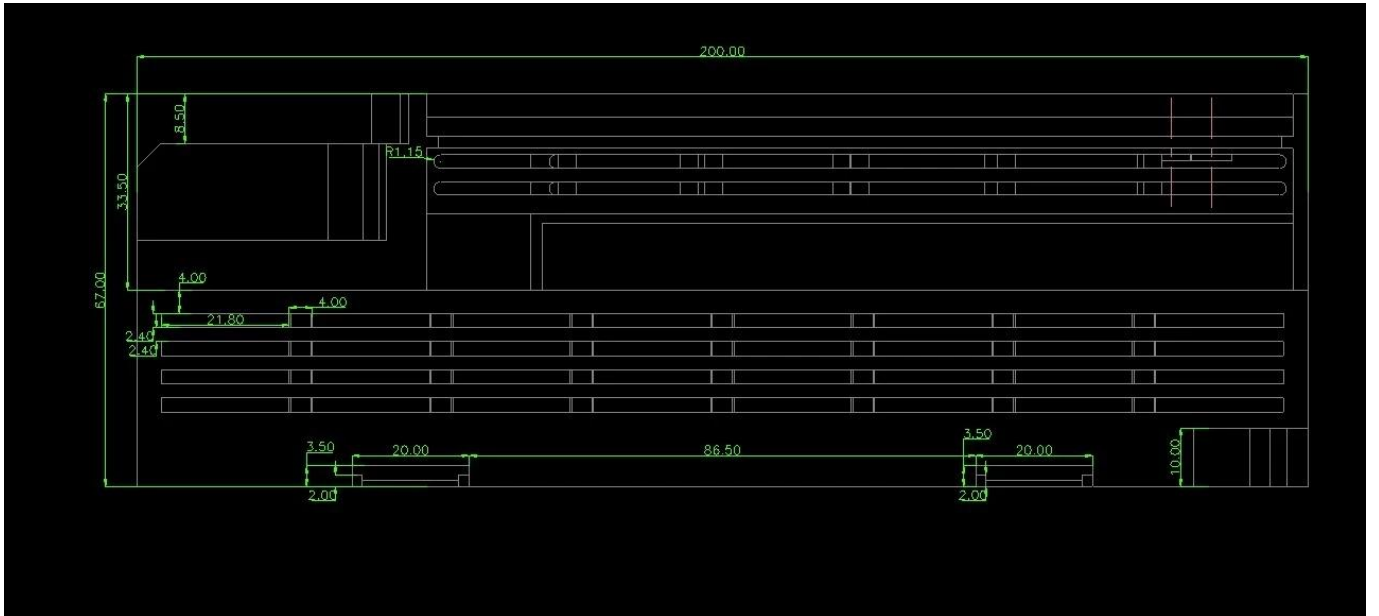
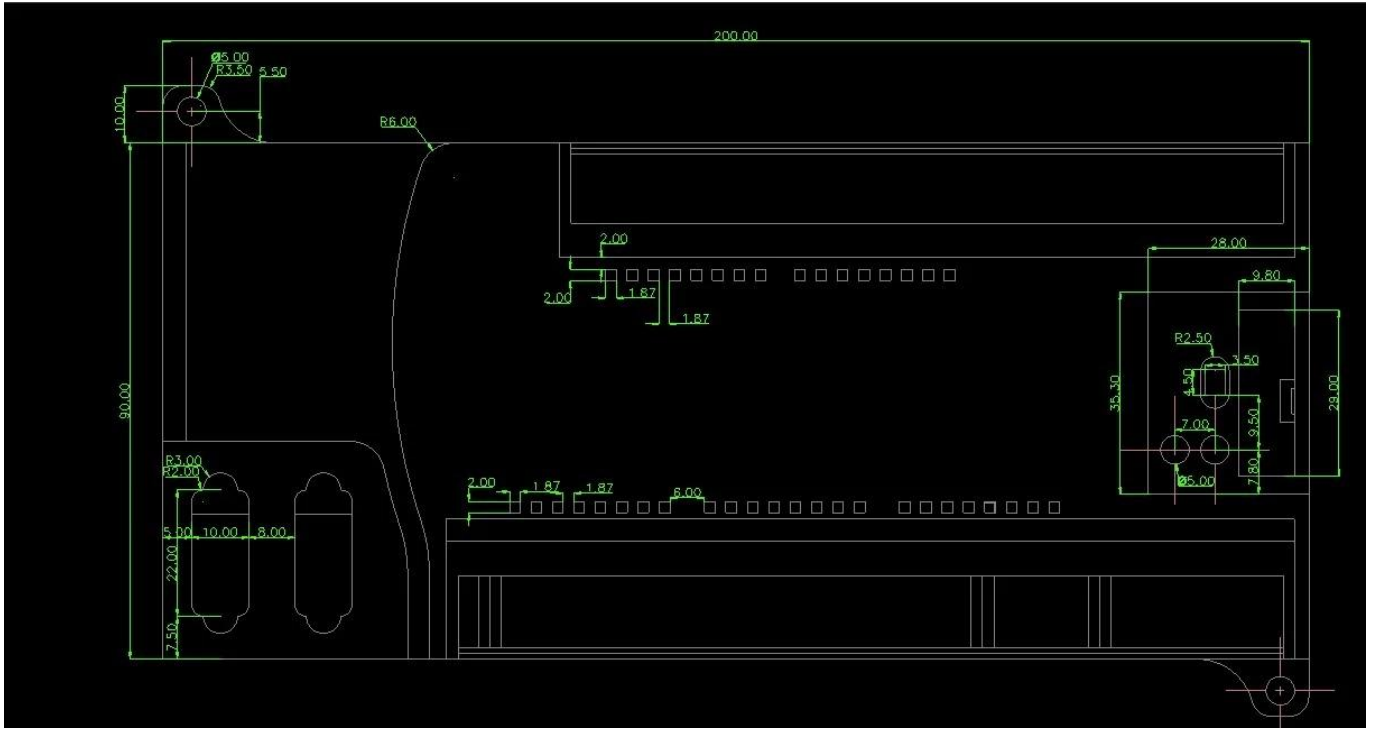


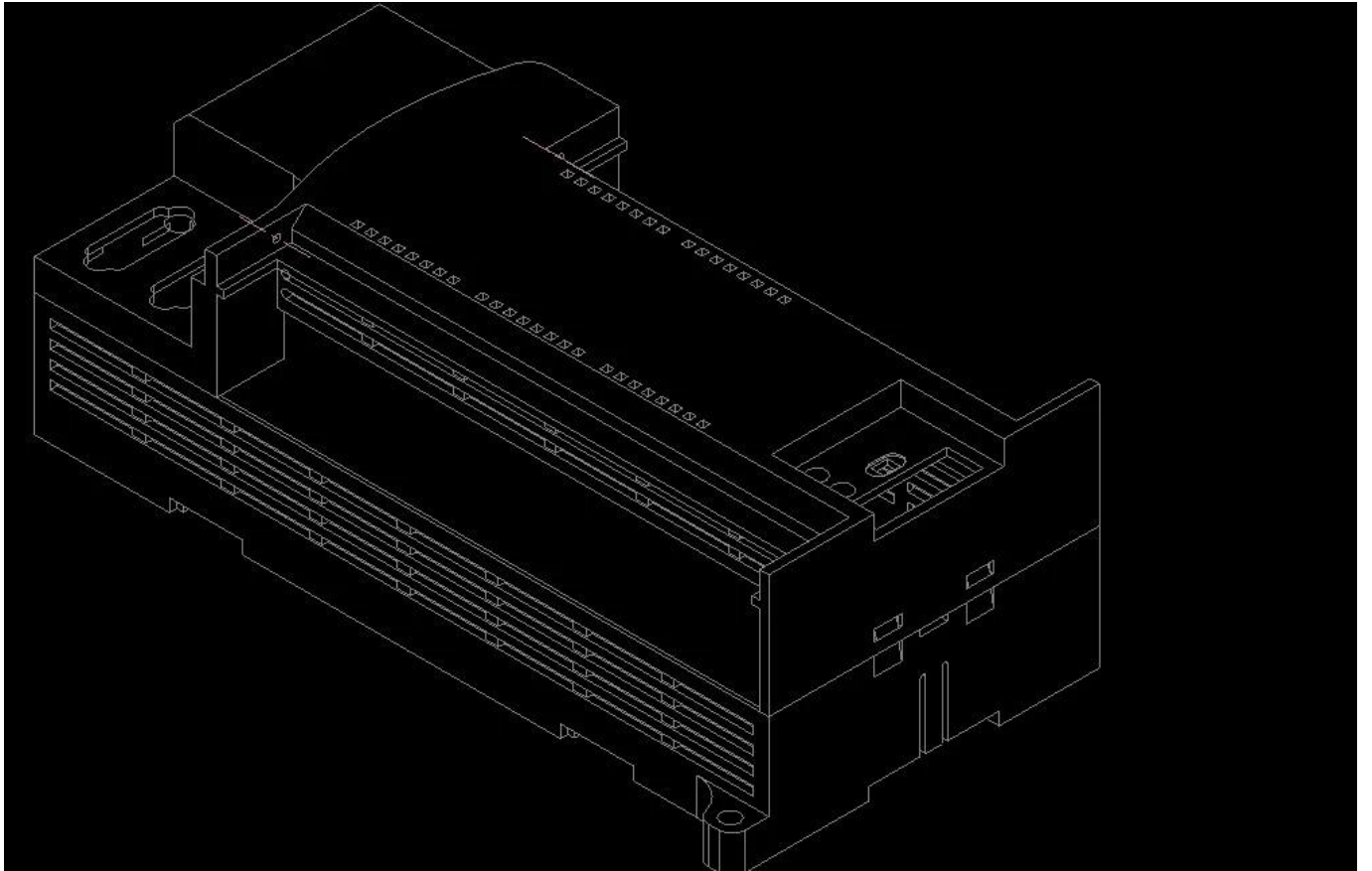
SZOMK



SZOMK









Company Information



Shenzhen Futian Huaqiang Electronic World OMK Electronic Sales Departmen

This complex,during long years of efforts with it's own experienced group and sole facilities for improvement of productions and promotion of products quality, is now one of the largest suppliers of all kinds of metallic and plastic enclosures in different fields of electronic,electrical,communication,medical,industrial and research prtojects purposes.

In today's industrial world and with the rapid development of all industries,the need of these products is sensed more than ever.Therefore by offering the best quality and service,we try to meet these needs and help you to reach your ideals.

Exhibition



Factory and showroom



Verpackung & Lieferung

Verpackungsdetails: Standard-Exportkarton.

Lieferungs-Detail: 3-15days, unterschiedliche Quantität unterschiedliche Vorlaufzeit.

Packaging & Shipping



SZOMK

Shenzhen Futian Huaqiang Electronic World OMK
Electronic Sales Department
Tel: +86-755-83222882 E-mail: ivy@szomk.com.cn

HOME