

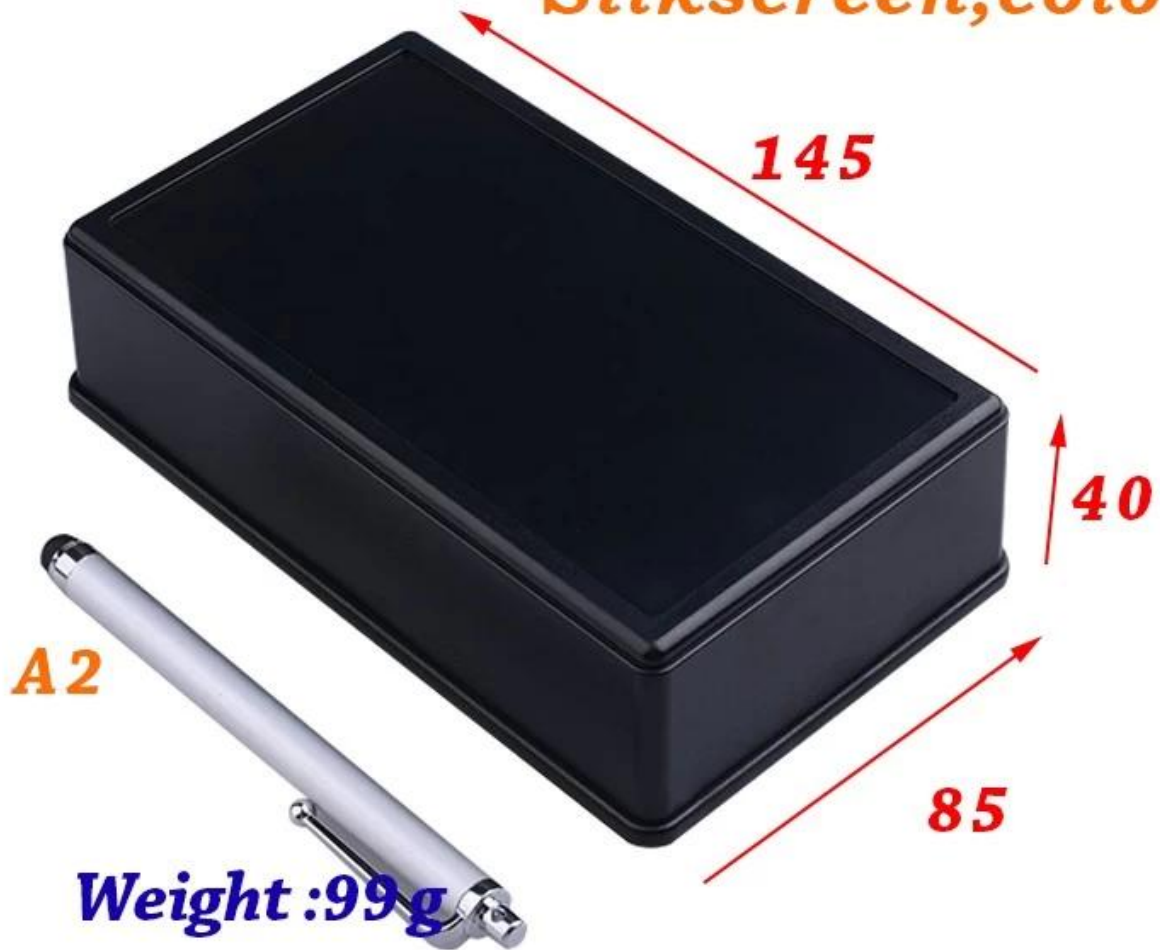
Descripción del Producto:

1. Número de modelo: AK-S-05
2. Tamaño: 145x85x40mm
3. Color: Negro / Blanco
4. Peso: 99g



SZOMK

**Customizable
Cutout, sticker
Silkscreen, color**



A2

Weight :99 g

Model No. AK-S-05

145*85*40 mm

Size:5.71*3.35*1.57 inch

SZOMK

**Customizable
Cutout, sticker
Silkscreen, color**



Weight :99 g

Model No. AK-S-05

145*85*40 mm

Size:5.71*3.35*1.57 inch

SZOMK



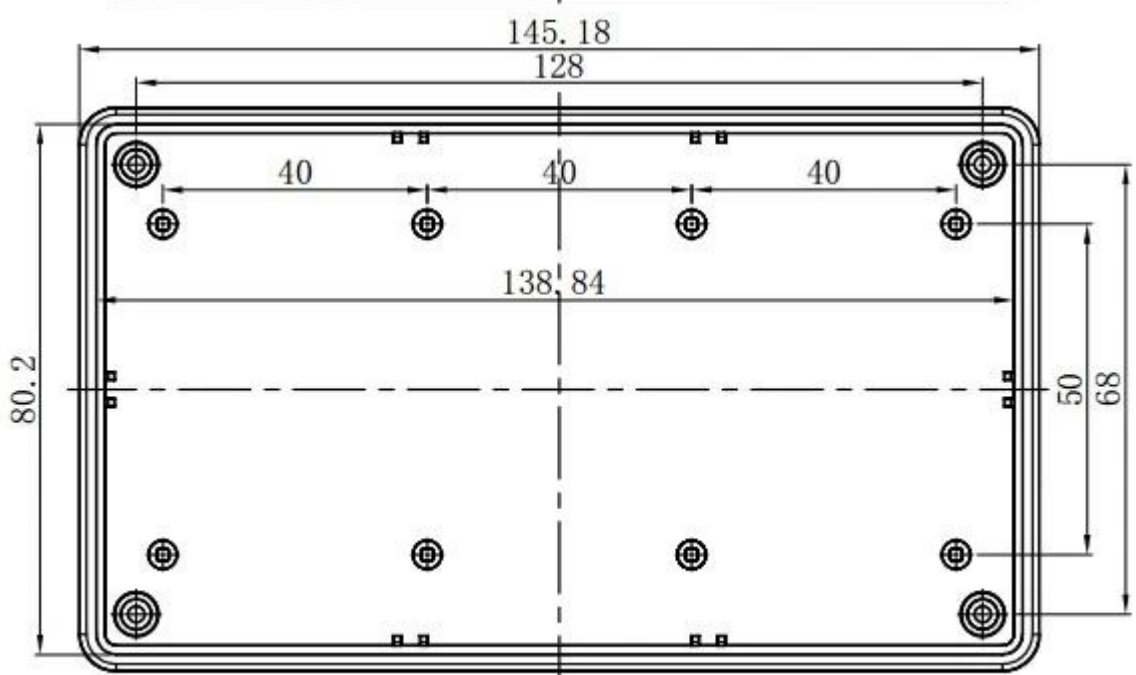
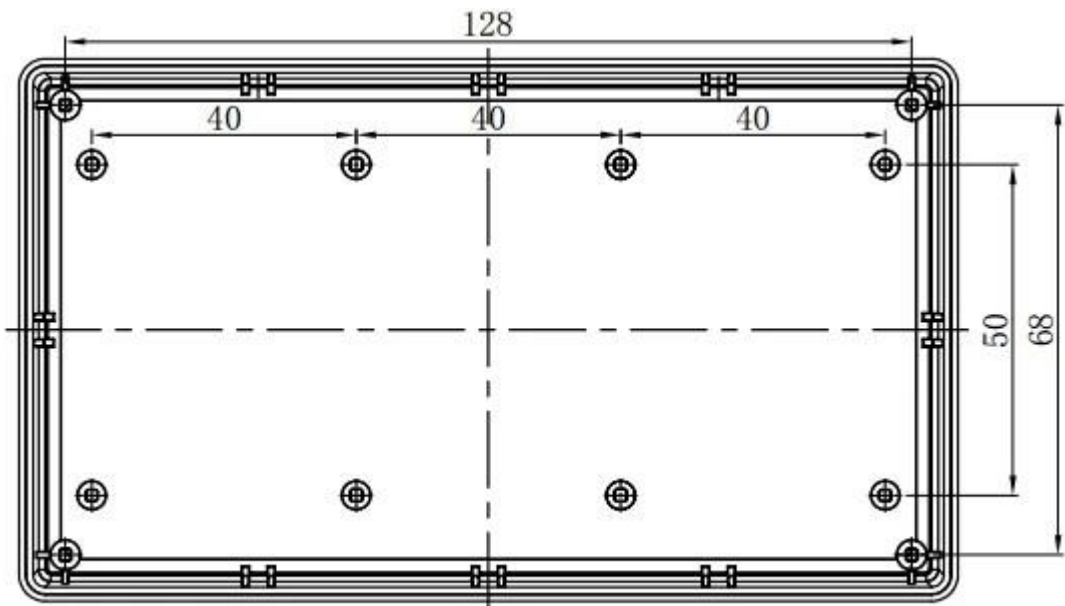
A2

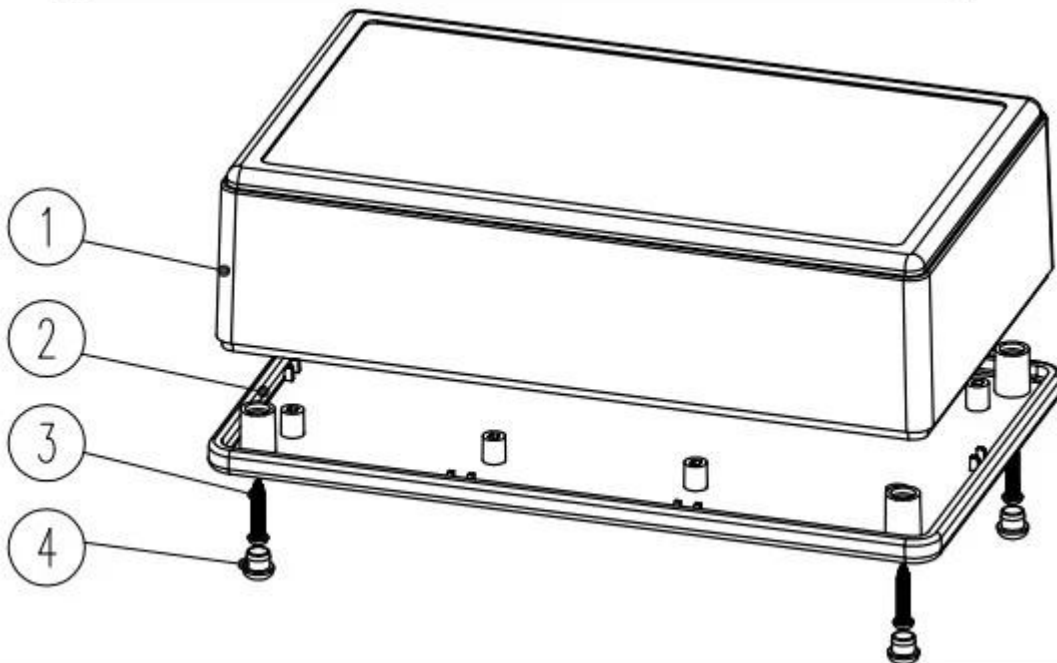
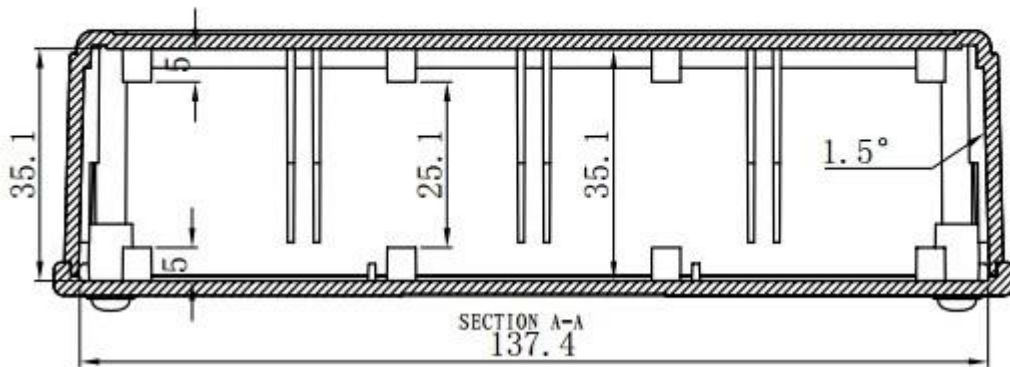
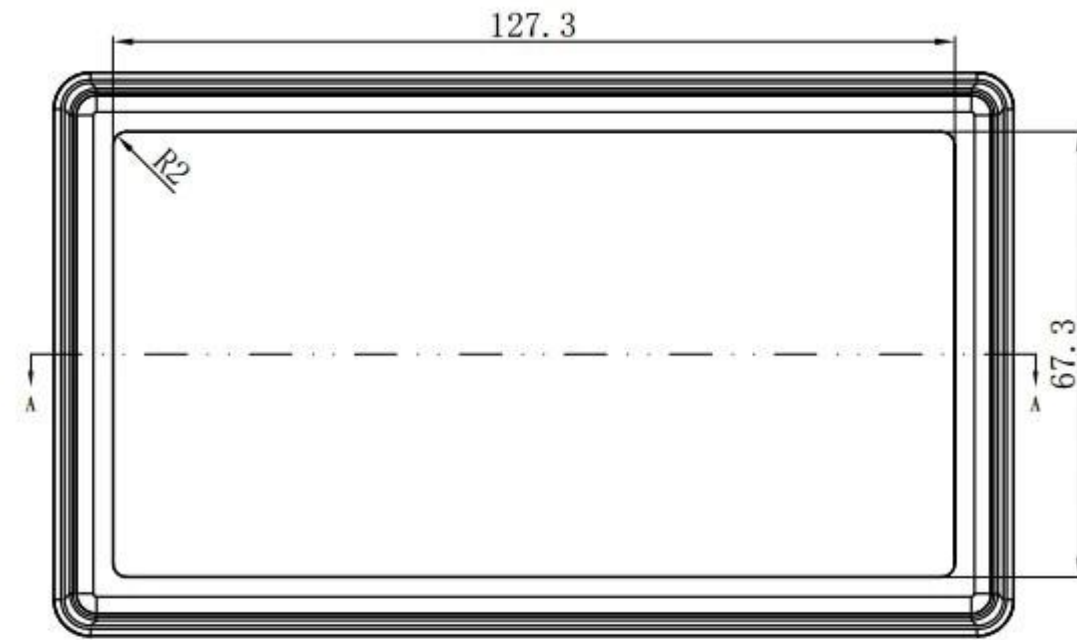


SZOMK



A1





Nuestro servicio para requisitos particulares:

1. Cambio de longitud
2. Cambiar el color
3. Pulido
4. recubrimiento en polvo
5. Cepillado papel de aluminio
6. Los agujeros del taladro
7. grabado láser
8. etiqueta PVC
- Placa 9.Acrylic
- Pantalla 10.Silk

Bienvenido a ponerse en contacto con nosotros si tiene cualquier pregunta sobre nuestro recinto, su investigación será reponed con 24 horas!

Si necesita catálogos o cualquier información detallada de nuestro recinto, por favor no dude en hacérmelo saber:-)



QQ

505924585



Tel

86-755-8222882
86-13028816914



Add

628Room,505 Building ,Shangbu iddustry,
Hangtian toad ,Futian district ,Shenzhen,
China,518031



Email

lily@szomk.net



Home

<http://www.aliexpress.com/store/1006252>



skype

szomk006

Company Information



Shenzhen Futian Huaqiang Electronic World OMK Electronic Sales Department

This complex, during long years of efforts with its own experienced group and sole facilities for improvement of productions and promotion of products quality, is now one of the largest suppliers of all kinds of metallic and plastic enclosures in different fields of electronic, electrical, communication, medical, industrial and research projects purposes.

In today's industrial world and with the rapid development of all industries, the need of these products is sensed more than ever. Therefore by offering the best quality and service, we try to meet these needs and help you to reach your ideals.

Exhibition



Certificate



Factory and showroom



Packaging & Shipping



SZOMK

Shenzhen Futian Huaqiang Electronic World OMK
Electronic Sales Department

Tel: +86-755-83222882 E-mail: ivy@szomk.com.cn



Gracias por su tiempo! Bienvenido a visitar de nuevo. :-)