

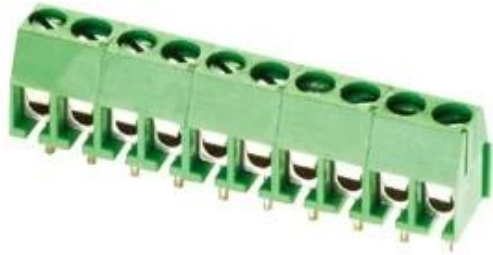
Detalles rápidos:

- 1 Lugar de origen: Zhejiang, China (continental)
- 2 Detalles de empaquetado: longitud Box: 260mm, Ancho: 200 mm
Profundidad: 100 mm .1000pcs / caja
- Detalle de expedición 3: normalmente 3-5 días después del pago
- 4 Productos de primera calidad con certificación de la CE, UL, ROHS
- 5 reponse Preguntar por su consulta

Caracterización

Borne para tarjeta se caracteriza principalmente por el monómero y la soldadura de placa de circuito y el cableado fácil, y conexión de tornillo fiable. El tono es 3,5, 3,81, 5,0, 5,08, y así sucesivamente. Los bloques de terminales se pueden combinar con 3P y 2P. Los productos sin costura están también disponibles. Las direcciones de cableado son frontales, laterales, la pendiente y otros estilos diferentes.

Technical Parameters for Screw Terminal Block/Connector :		
Electrical Specification	Mechanical Specification	Part & Material
Related: 300V 10A	Temp.Range: -30C-+120 C	Body: PA66,UL94V-0
Contact resistance: 20mΩ Max	Max Soldering: +250 C,5s	Screw: Steel,Zn plating
Withstanding:AC1500V/1min	Wire range: 24-18AWG	Wire Protector: Bronze,Ni plating
Torque:0.2Nm(1.8lb.in)	Strip Length: 4.5 -5mm	Terminal: Brass,Tin plating



Pitch:

5.0mm

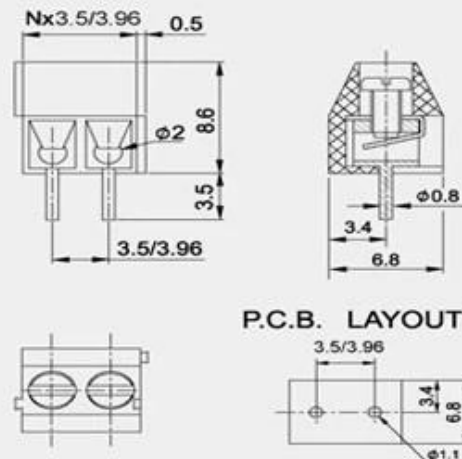
Poles:

2pole 3pole to any poles

SZOMK

- ▶ **Top quality products with certification of CE,UL,ROHS**
- ▶ **Short lead time, normally 3-5 days after payment**
- ▶ **Prompt reponse for your inquiry**

*Pitch=3.5/3.96
Unit:mm
N=Poles*



Company Information



Shenzhen Futian Huaqiang Electronic World OMK Electronic Sales Departmen

This complex, during long years of efforts with it's own experienced group and sole facilities for improvement of productions and promotion of products quality, is now one of the largest suppliers of all kinds of metallic and plastic enclosures in different fields of electronic, electrical, communication, medical, industrial and research projects purposes.

In today's industrial world and with the rapid development of all industries, the need of these products is sensed more than ever. Therefore by offering the best quality and service, we try to meet these needs and help you to reach your ideals.

Exhibition



Factory and showroom



Certificate



Packaging & Shipping



Shenzhen Futian Huaqiang Electronic World OMK
Electronic Sales Department

Tel: +86-755-83222882 E-mail: ivy@szomk.com.cn

