

## Detalles Rápidos

Número de modelo: AK-DR-19

Tamaño externo: 200x90x70mm

Color blanco

Material: abs

Peso: 156gramo

# SZOMK



► **Enclosure Manufacturer**  
[www.chinaenclosure.com](http://www.chinaenclosure.com)

# SZOMK

Customizable  
cutout, sticker  
silkscreen, color



Weight: 155g

Model No. AK-DR-19

Size: 7.87\*3.54\*2.76 inch

200\*90\*70 mm

**SZOMK**

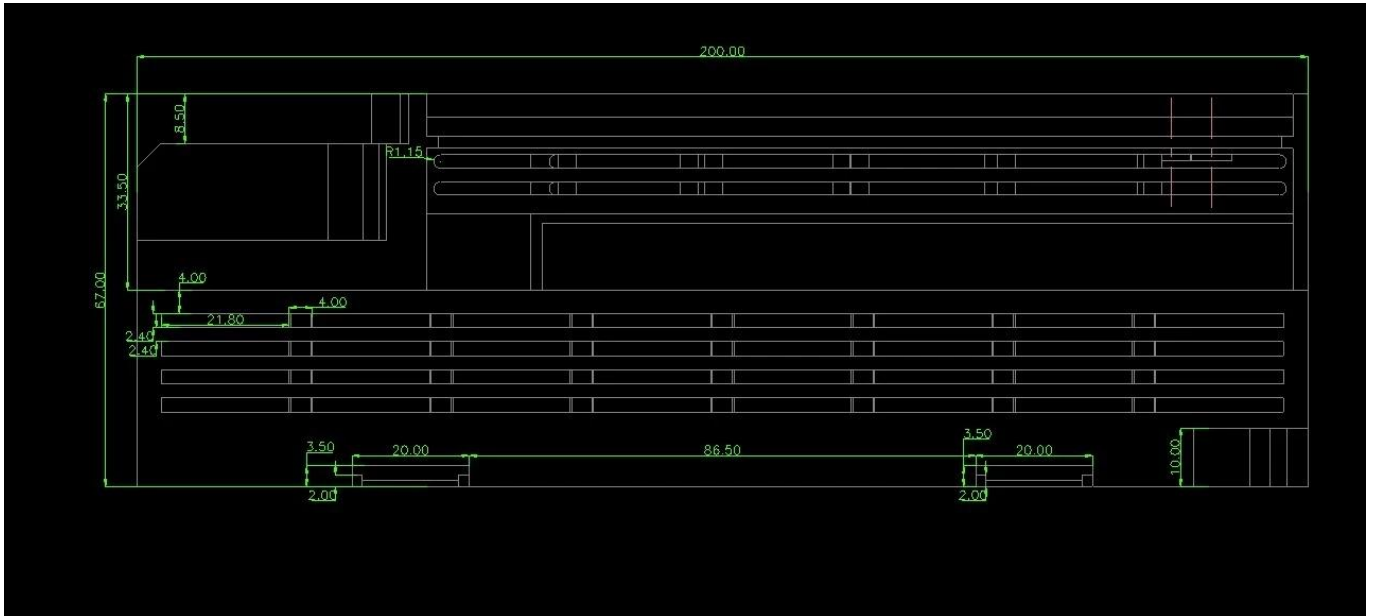
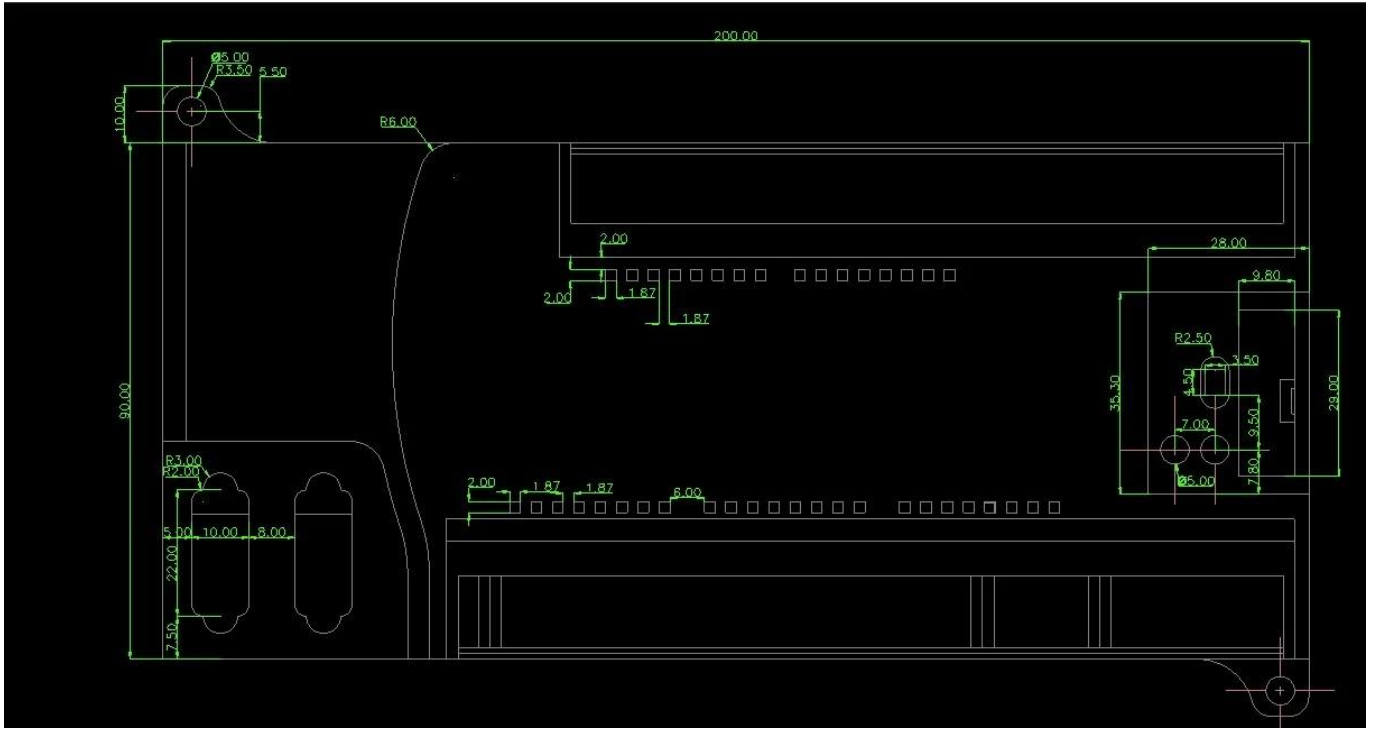


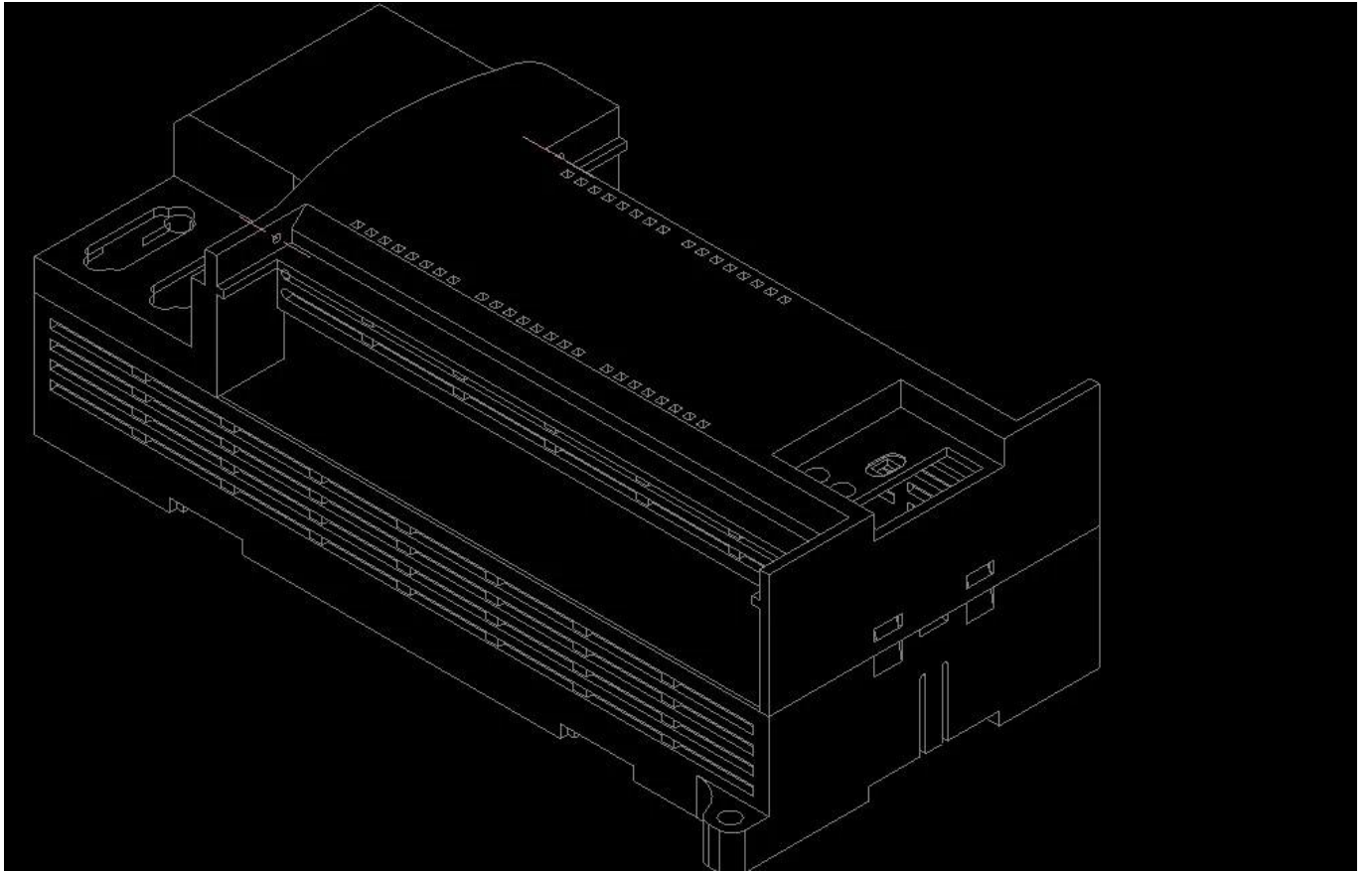
**SZOMK**



**SZOMK**









## Company Information



### Shenzhen Futian Huaqiang Electronic World OMK Electronic Sales Departmen

This complex,during long years of efforts with it's own experienced group and sole facilities for improvement of productions and promotion of products quality, is now one of the largest suppliers of all kinds of metallic and plastic enclosures in different fields of electronic,electrical,communication,medical,industrial and research prtojects purposes.

In today's industrial world and with the rapid development of all industries,the need of these products is sensed more than ever.Therefore by offering the best quality and service,we try to meet these needs and help you to reach your ideals.



## Exhibition



## Factory and showroom



## Embalaje y & Entrega

Detalles de empaquetado: Cartón de exportación estándar.

Detalle de la entrega: 3-15days, diferente cantidad de tiempo de entrega diferente.

## Packaging & Shipping



**SZOMK**

Shenzhen Futian Huaqiang Electronic World OMK  
Electronic Sales Department  
Tel: +86-755-83222882 E-mail: [ivy@szomk.com.cn](mailto:ivy@szomk.com.cn)

**HOME**