

Presupuesto:

Lugar de origen: Shenzhen, China

Tipo: caja de conexiones de caja de electrónica plástica

Modelo No .: AK-H-60

Tamaño: 180 * 81 * 45 mm

Material: plástico ABS

Muestra MOQ: 1 pieza

Personalizado Servicio: Recorte, serigrafía, color, adhesivo, grabado láser, hoja de acrílico, crear molde

MOQ personalizado: 20 piezas

Embalaje: cartón

SZOMK



85g

AK-H-60

▶ Enclosure Manufacturer
www.chinaenclosure.com

SZOMK

Customizable
cutout, sticker
silkscreen, color



Weight: 85g

Model No. AK-H-60

Size: 180*81*45mm

7*3.2*1.7inch

SZOMK



SZOMK



SZOMK



SZOMK



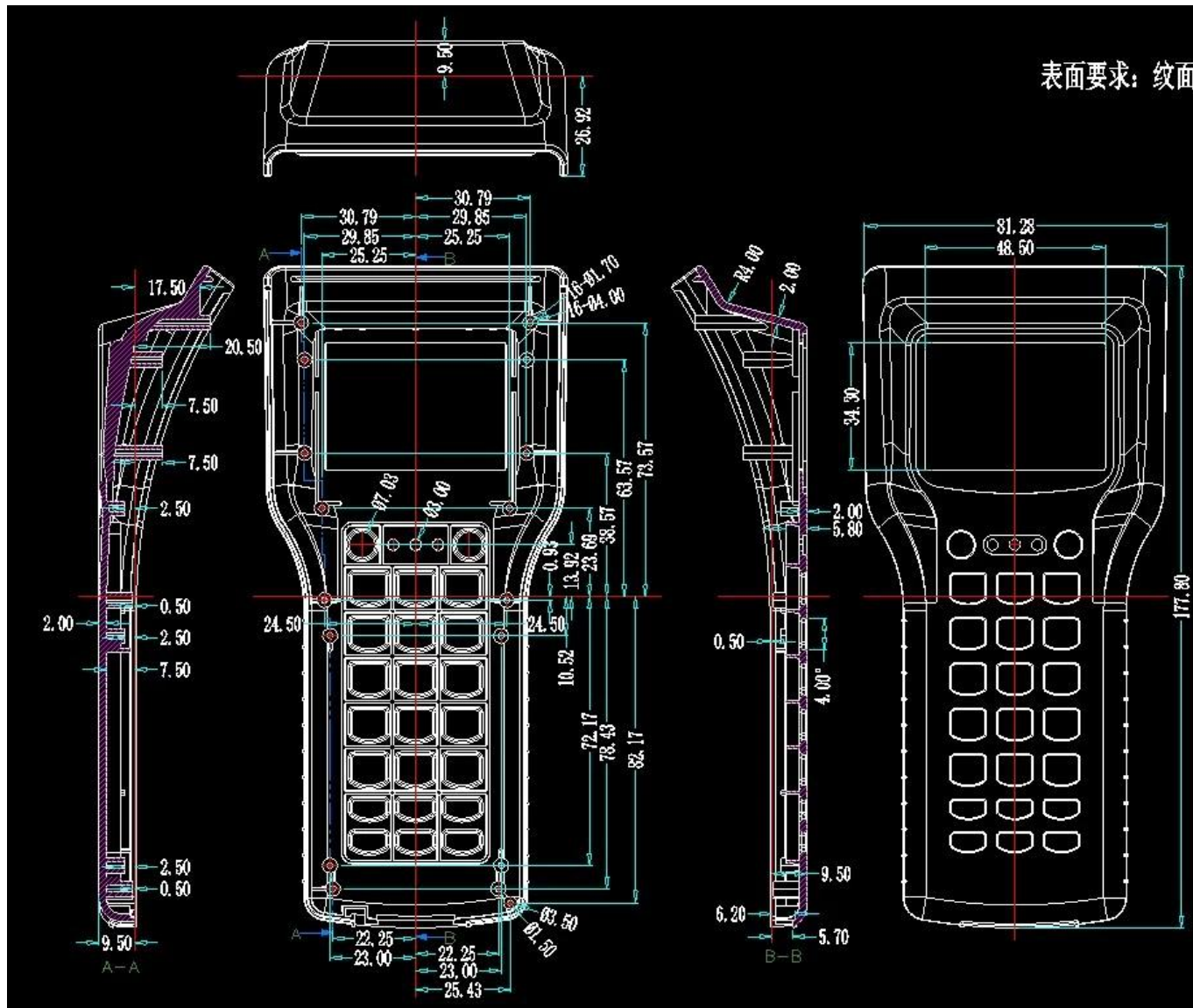
SZOMK



SZOMK



表面要求：纹面





Plate



Silkscreen



Sticker

*We can do
customize*

Cutout



Color

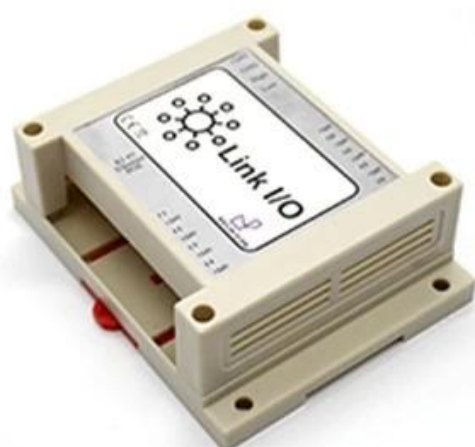


Silicone Seals



We can do customize

Cut holes
Silkscreen
Sticker



We can do customize

change the color



We can do customize

PVC lable
Acrylic plate
Sticker

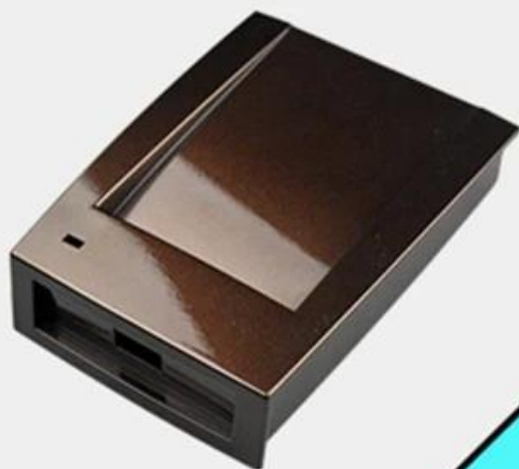


We can do customize

Cut holes
Silkscreen
Laser carve



We can do customize



**UV
Protection**



We can do customize

Cut holes
Silkscreen
Sticker



We can do customize



Utilizar:

Es ampliamente utilizado en electrónica, instrumentación, automatización, comunicación, unidades de suministro de energía, proyectos de estudiantes, amplificadores, equipos de atención médica, equipos de prueba y medición, control industrial, dispositivos periféricos e interfaces, cajas de interruptores.

It is widely used in electronic, instrumentation, automation, communications, power supply units, student projects, amplifiers, Medical and wellness devices, test and measurement equipment, industrial control, peripheral devices and interfaces, switch boxes.



Atención:

Bienvenido a contactarnos para obtener más detalles y cotizaciones de nuestro gabinete, su consulta seguramente recibirá una pronta respuesta en 24 horas. :-)

Company Information



Shenzhen Futian Huaqiang Electronic World OMK Electronic Sales Department

This complex, during long years of efforts with its own experienced group and sole facilities for improvement of productions and promotion of products quality, is now one of the largest suppliers of all kinds of metallic and plastic enclosures in different fields of electronic, electrical, communication, medical, industrial and research projects purposes.

In today's industrial world and with the rapid development of all industries, the need of these products is sensed more than ever. Therefore by offering the best quality and service, we try to meet these needs and help you to reach your ideals.

Exhibition



Certificate



Factory and showroom



Packaging & Shipping



Shenzhen Futian Huaqiang Electronic World OMK
Electronic Sales Department

Tel: +86-755-83222882 E-mail: hyj@szomk.com.cn



SZOMK

Our packaging

Plastic foam packaging



Metal shell packaging

Plastic box packaging





T/T, WESTERN UNION, MONEY
GRAM AND PAYPAL ACCPETED.

Skype: 13691908477

Tel: 86-13691908477

Email: felix@chinaenclosure.com

[Contact Us](#)

**Su consulta será respondida dentro de las
24 horas. : o)**