

Détails rapides:

- 1 Lieu d'origine: Zhejiang, Chine (continentale)
- 2 Détails de l'emballage: longueur: 260mm Box, Largeur: 200mm Profondeur: 100mm .1000pcs / boîte
- 3 Détail de la livraison: normalement 3-5 jours après le paiement
- 4 Top des produits de qualité avec la certification de CE, UL, ROHS
- 5 reponse Demander votre demande

Caractérisation

PCB bornier se caractérise principalement par le monomère et la soudure de circuits et le câblage facile, et la connexion de vis fiable. Le terrain est de 3,5, 3,81, 5,0, 5,08, et ainsi de suite. Les blocs de jonction peuvent être combinés avec 3P et 2P. Les produits sans couture sont également disponibles. Les directions de câblage sont face, de côté, de la pente et d'autres styles différents.

Technical Parameters for Screw Terminal Block/Connector :

Electrical Specification	Mechanical Specification	Part & Material
Rated: 250V,16A	Temp.Range: -30C-+120 C	Body: PA66,UL94V-0
Contact resistance: 20mΩ Max	Max Soldering: +250 C,5s	Screw: Steel,Zn plating
Insulation resistance: 5000MΩ Min	Wire range: 22-14AWG(2.5MM2)	Wire Protector: Bronze,Ni plating
Dielectric strength : 2000VAC min/60 seconds	Strip Length: 4.5 -5mm	Terminal: Brass,Tin plating



Pitch:

5.0mm

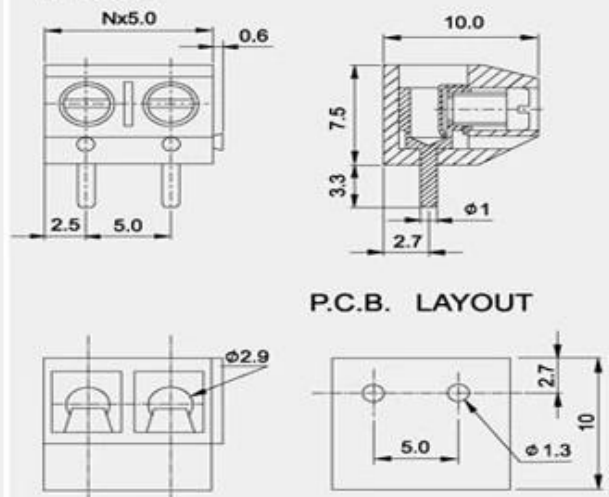
Poles:

2pole 3pole to any poles

SZOMK

- **Top quality products with certification of CE,UL,ROHS**
- **Short lead time, normally 3-5 days after payment**
- **Prompt reponse for your inquiry**

*Pitch=5.0
Unit:mm
N=Poles*



Company Information



Shenzhen Futian Huaqiang Electronic World OMK Electronic Sales Departmen

This complex, during long years of efforts with it's own experienced group and sole facilities for improvement of productions and promotion of products quality, is now one of the largest suppliers of all kinds of metallic and plastic enclosures in different fields of electronic, electrical, communication, medical, industrial and research projects purposes.

In today's industrial world and with the rapid development of all industries, the need of these products is sensed more than ever. Therefore by offering the best quality and service, we try to meet these needs and help you to reach your ideals.

Certificate



Exhibition



Factory and showroom



Packaging & Shipping



WE ♥ LOGISTICS™





Shenzhen Futian Huaqiang Electronic World OMK
Electronic Sales Department

Tel: +86-755-83222882 E-mail: ivy@szomk.com.cn

