

Avantages du boîtier SZOMK

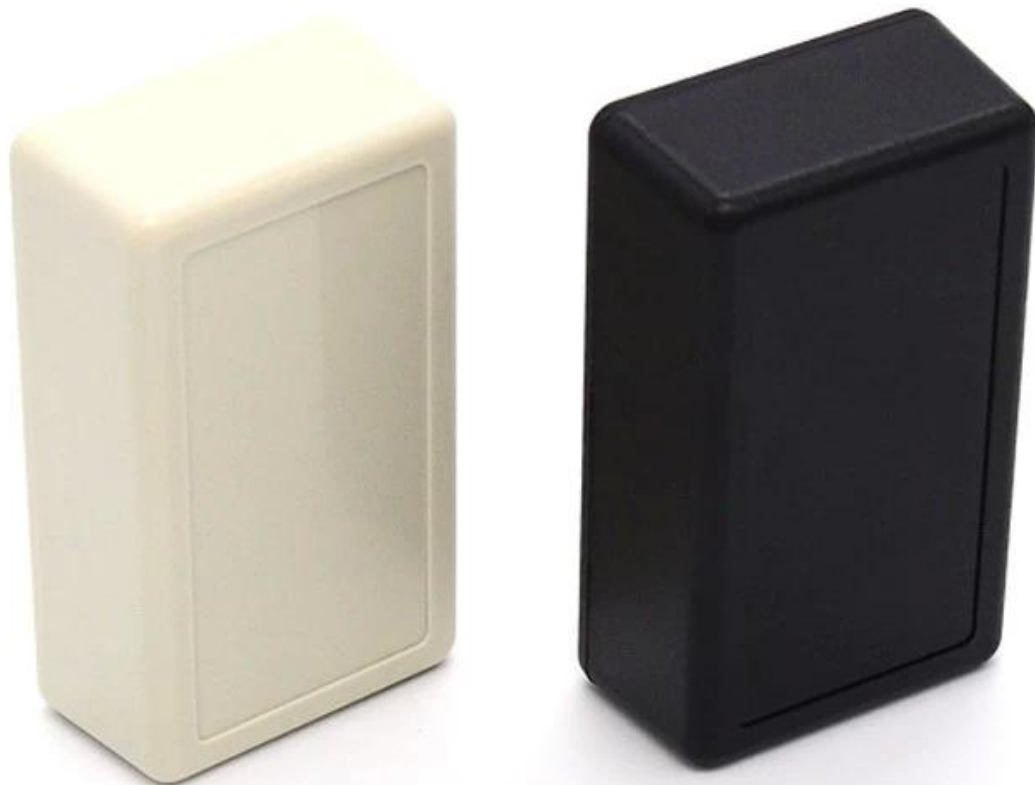
1. Il a la forte résistance à la corrosion, résistance aux intempéries, résistance à la corrosion.
2. la surface peut être formée dans une variété de couleurs, et le maximum pour répondre à vos besoins.
3. Avoir une bonne dureté forte sauver vos appareils électroniques.

Que pouvons-nous faire pour vous

- 1 Percer, poinçonner, etc. Bienvenue dans les graphiques à la demande.
- 2 peintures en poudre, brosses, polissage, sérigraphie, gravure laser, affiches, gravure, panneau en résine acrylique.
- 3 court délai de livraison, généralement après 3-5 jours après le paiement (selon le nombre)
- 4 conseils pour votre demande

Spécification du produit

SZOMK



 **Enclosure Manufacturer**
www.chinaenclosure.com

SZOMK

Customizable
cutout, sticker
silkscreen, color



Weight: 24g
Model No. AK-S-15

Size: 2.83*1.65*0.91 inch
72*42*23 mm

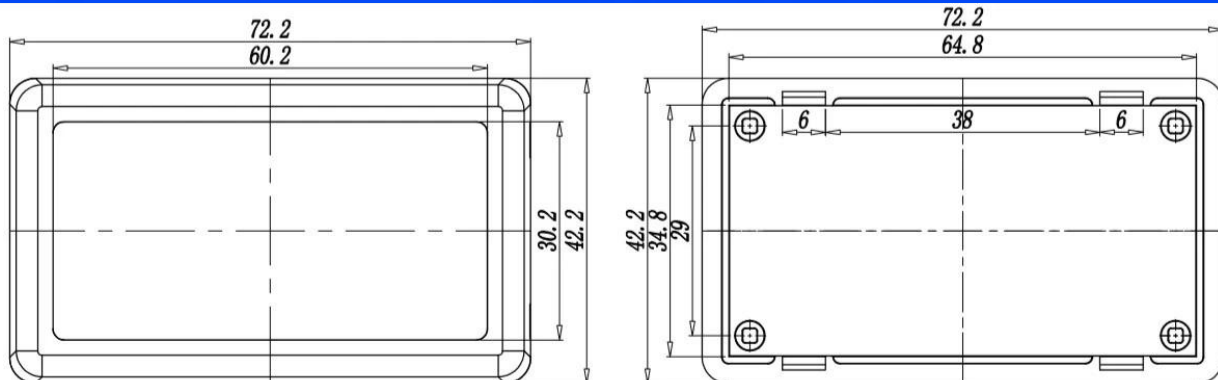
SZOMK

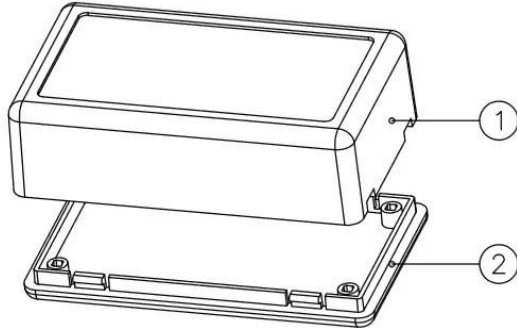
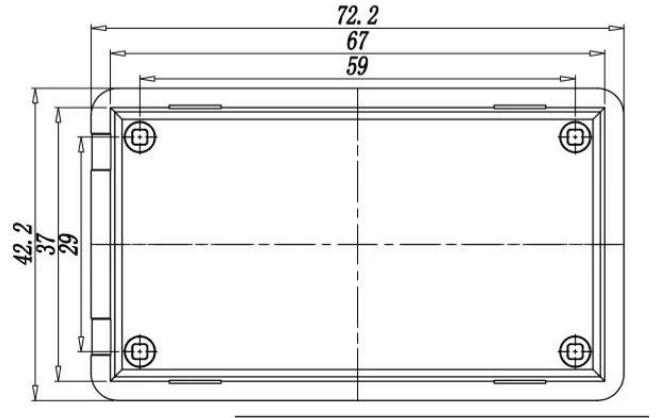
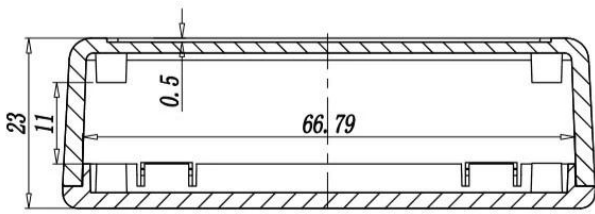


SZOMK



SZOMK





Services personnalisés

We can do customize

- Silkscreen**: Images of a silver metal enclosure with red and black text.
- Sticker**: A black sticker with 'CHIPTUNING-BOX' and 'CHIP TUNING MAX' text.
- Silicone Seals**: A blue silicone gasket for the enclosure.
- Color**: A collection of small, colorful metal strips in various colors like blue, black, pink, yellow, and silver.
- Cutout**: A red metal enclosure with circular cutouts.
- Plate**: A collection of various metal plates and components, including a yellow plate with holes and a black plate with a 'RIONIX' logo.

Company Information



Shenzhen Futian Huaqiang Electronic World OMK Electronic Sales Departmen

This complex, during long years of efforts with it's own experienced group and sole facilities for improvement of productions and promotion of products quality, is now one of the largest suppliers of all kinds of metallic and plastic enclosures in different fields of electronic, electrical, communication, medical, industrial and research prtojects purposes.

In today's industrial world and with the rapid development of all industries, the need of these products is sensed more than ever. Therefore by offering the best quality and service, we try to meet these needs and help you to reach your ideals.

Factory and showroom



Exhibition



Certificate



Packaging & Shipping



Informations de contact



QQ

2110283100



Tel

81-755-83222882
+86 18819074698



Add

16-6Floor, 505Building ,Shangbu Industry
Area, Hangtian RD, Futian District ,Shenzhen
China



Email

teddy@szomk.net



skype

teddy@szomk.net



WeChat

teddy07277