

Packaging & Delivery

Packaging Details:	Carton and plastic foam and tape packaging-extruded aluminum box enclosure diecast
Delivery Detail:	5-15 working days,different quantity different delivery time

Specifications

- 1.Type:electronic extruded aluminum control enclosure
- 2.Model No:AK-C-B79
- 3.Size:46(H)70(W)100(L)mm
- 4.MOQ:1 pc

Introduction of extruded aluminum box enclosure diecast

The extruded aluminum box enclosure diecast is used as an anode, placed in electrolyte,artificially formed the enclosure having a protective aluminum oxide film on the surface.

Extruded aluminum box enclosure diecast features

1. Has a strong resistance to abrasion, weathering, corrosion.
2. Can be formed on the surface of a variety of colors, to maximize fit your requirements.
3. Have a strong hardness, can be well protected your electronics.

Extruded aluminum enclosure

Type	B-Normal series extruded aluminum enclosure
Brand	SZOMK
Material	aluminum
Model No.	AK-C-B79
Size46	46(H)*70(W)*100(mm)
Color	silvery and different colors can be customized
Customized MOQ	1 pieces
Protect level	IP54
Lead time	7-15 days after get payment
Normal packing	Carton and plastic foam and tape packaging

Detail picture of extruded aluminum enclosure

SZOMK

Customizable
cutout, sticker
silkscreen, color



Weight: 134g
Model No. AK-C-B79

Size: 1.81*2.76*3.94 inch
46*70*100 mm

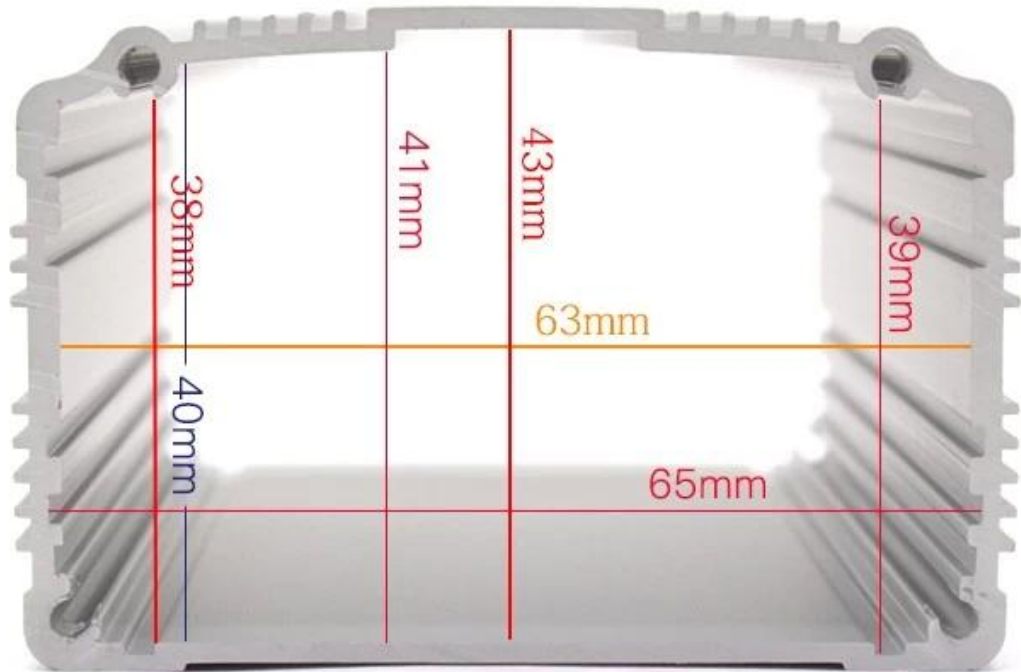
SZOMK



SZOMK



SZOMK



Certifications



Certificated iso, quality assurance
Certificated FCC & CE

ANY QUESTIONS, PLEASE CONTACT US 



Name

Carina



QQ

2819022460



Tel

81-755-83222882
+86 18819070232



Add

**16-6Floor, 505Building ,Shangbu Industry
Area, Hangtian RD, Futian District ,Shenzhen
China**



Email

carina@szomk.net



Skype

szomk1010



WhatsApp

18819070232