

Specifications:

Place of origin: Shenzhen, China

Type: plastic electronics enclosure junction box

Model No.: AK-H-71

Size: 80*60*26.5mm

Material: ABS plastic

Sample MOQ: 1 piece

Customized service: cutout, silkscreen, color, sticker, laser engraving,
acrylic sheet, create mold

Customized MOQ: 20 pcs

Packing: carton

SZOMK



▶ **Enclosure Manufacturer**
www.chinaenclosure.com

SZOMK

Customizable
cutout, sticker
silkscreen, color



Weight: 39g
Model No. AK-H-71

Size: 3.15*2.36*1.04 inch
80*60*26.5 mm

SZOMK



SZOMK



SZOMK



SZOMK



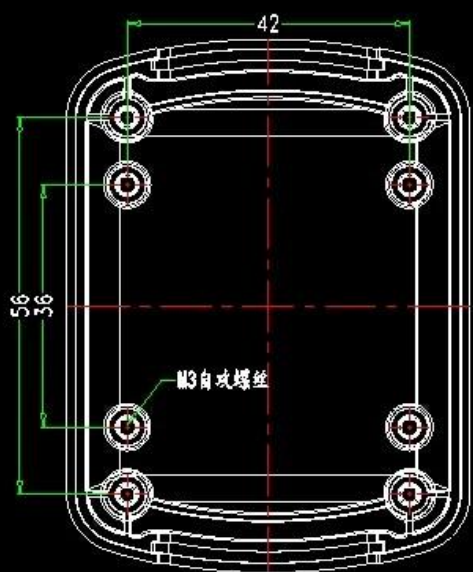
SZOMK



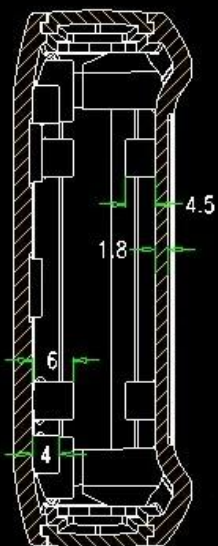
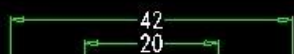
SZOMK



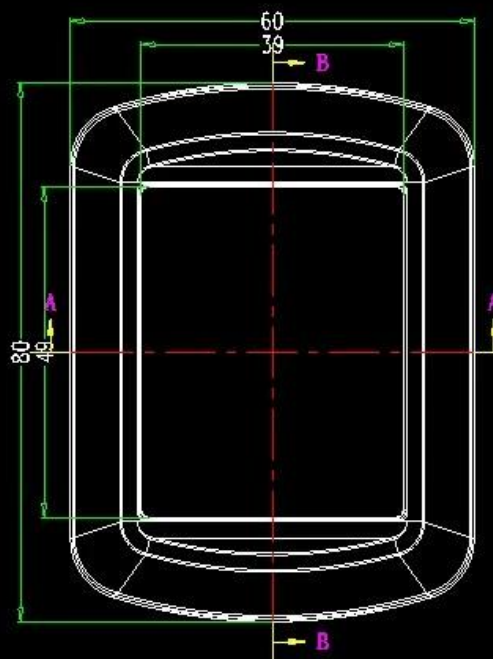
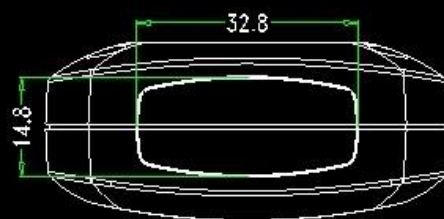
上壳内视图

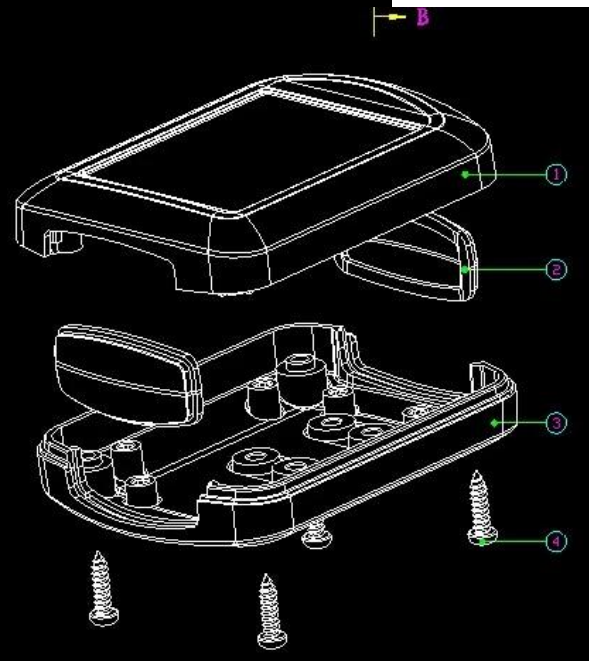
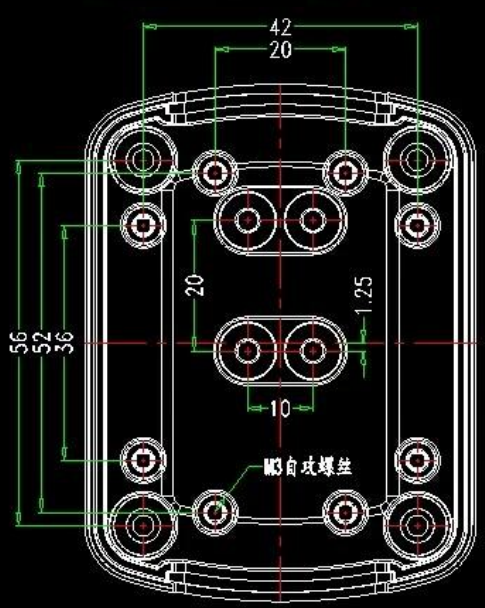
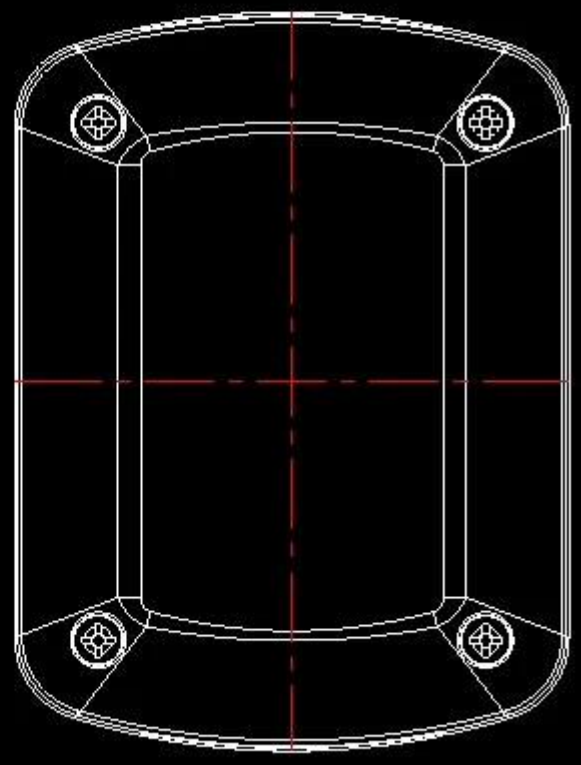
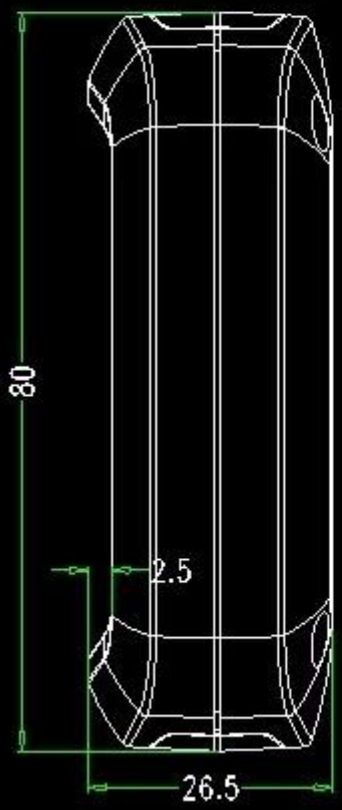
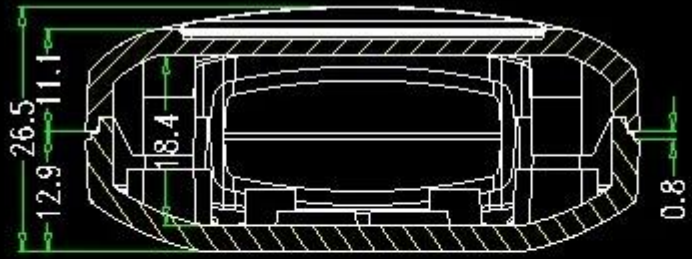


底壳内视图



SEC B-B





Here is our customize service:

1, change aluminum length 2, change color of our boxes

3, product polishing 4, powder coating

5, brushed oil 6, cut-out

7, lasder engraving 8, PVC label

9, Acrylic plate 10, silk screen printing

11, make sticker 12, silica gel edges

13, sandblasting 14, wire drawing

15, UV protection 16, open mold



Plate



Silkscreen



Sticker

*We can do
customize*

Cutout



Silicone Seals



Color



We can do customize

Cut holes
Silkscreen
Sticker



We can do customize

change the color



We can do customize

PVC lable
Acrylic plate
Sticker



We can do customize

Cut holes
Silkscreen
Laser carve



We can do customize



**UV
Protection**



We can do customize

Cut holes
Silkscreen
Sticker



We can do customize



Use:

It is widely used in electronics, instrumentation, automation, communication, power supply units, student projects, amplifiers, healthcare equipment, test and measurement equipment, industrial control, peripherals devices and interfaces, switch boxes.

It is widely used in electronic, instrumentation, automation, communications, power supply units, student projects, amplifiers, Medical and wellness devices, test and measurement equipment, industrial control, peripheral devices and interfaces, switch boxes.



Attention:

Welcome to contact us for more details and quotations of our enclosure, your inquiry will surely get prompt response in 24 hours. :-)



QQ

505924585



Tel

86-755-83222882
86-13028816914



Add

628Room,505 Building ,Shangbu industry,
Hangtian road ,Futian district ,Shenzhen,
China,518031



Email

lily@szomk.net



skype

szomk006

Company Information



Shenzhen Futian Huaqiang Electronic World OMK Electronic Sales Department

This complex, during long years of efforts with its own experienced group and sole facilities for improvement of productions and promotion of products quality, is now one of the largest suppliers of all kinds of metallic and plastic enclosures in different fields of electronic, electrical, communication, medical, industrial and research projects purposes.

In today's industrial world and with the rapid development of all industries, the need of these products is sensed more than ever. Therefore by offering the best quality and service, we try to meet these needs and help you to reach your ideals.

Exhibition



Certificate



Factory and showroom



Packaging & Shipping



Shenzhen Futian Huaqiang Electronic World OMK
Electronic Sales Department

Tel: +86-755-83222882 E-mail: hyj@szomk.com.cn



SZOMK

Our packaging

Plastic foam packaging



Metal shell packaging

Plastic box packaging



Any inquiry, please contact: lily@szomk.net

Your inquiry would be responded withing 24 hours. :o)