

**high quality Color anodized extruded
aluminum electronic enclosures custom
made AK-C-C43 57 X 76 X 100mm**

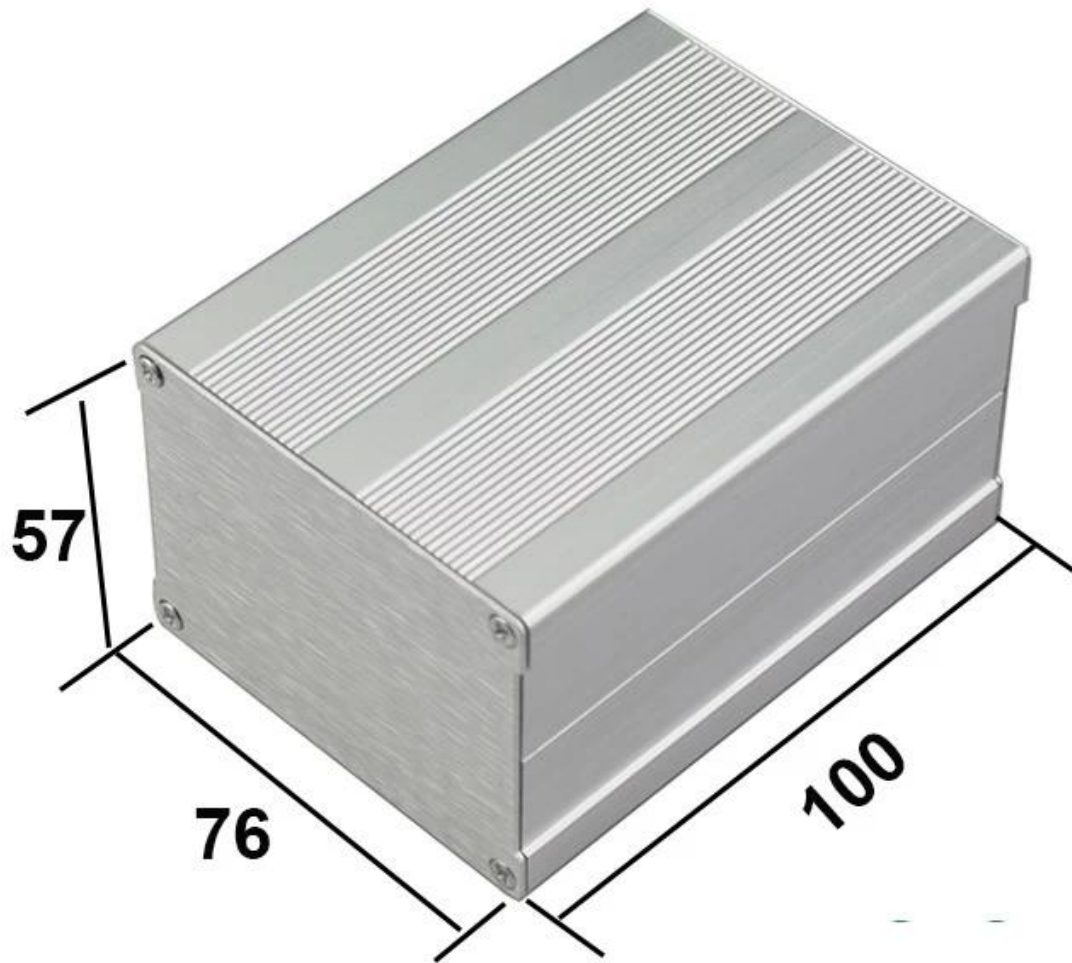
Product show:



SZOMK

Aluminum Box

57x76x100mm



168g

AK-C-C43

SZOMK

Aluminum Box

57x76x100mm



168g

AK-C-C43

SZOMK

Aluminum Box

57x76x100mm**168g****AK-C-C43****Product Specifications:**

Enclosure provides one-stop services	
Type	Seperated series aluminum enclosure
Model number	AK-C-C43
Size	57 X 76 X 100 mm/2.24*2.99*3.94 inch
Weight	168g
Color	Silver,black and can be changed the color
Meterial	Extruded Aluminum
Customization service	Cutout/silkscreen print/sticker/laser engraving/tapping and so on

Drawing	PDF/CAD/3D
Benefit	Can make small order DIY customized

Benefits for aluminum extrusion electronics cases

1. It has a strong resistance to abrasion, atmospheric agents, corrosion.
2. It can be formed on the surface of a variety of colors, to maximize your needs.
3. Having a strong hardness, it can be well protected by electronics.

What can we do for you? of electrical equipment & supplie



1. We supply thousands of public fences and we have some goods in our warehouse.

MOQ: 1 pc

2. We can do DIY small order customcervice ----- MOQ: 20-50 pcs

3. We are able to design custom private enclosures (if you supply PCBs)

4. For personal mold customization (Providesample or STEP file)

6. Customized service: cutout / mold / acrylic / PVC label / silk screen / laser engraving / self adhesive / silicone / color changing and soon.

Who we are?



The graphic features a white curved background on the left with a logo of a square enclosure labeled 'bin plug' and 'SZOMK'. Below it, the text 'Company Profile' is written in blue. On the right, a photograph shows a modern office reception area with a green wall. The wall has the 'SZOMK' logo and the company name in Chinese '深圳市奥科姆电子有限公司' and English 'SHENZHEN OMK ELECTRONICS CO., LTD'. A white reception desk with a potted plant is in the foreground. A blue banner at the bottom of the graphic reads 'High Quality Enclosure One-stop Service'.

SHENZHENOMK ELECTRONICS CO., LTD is now one of the largest suppliers of all kinds of plastic and metal enclosures in various fields of electronics, electrical, communication, medicine, industry and research, we have more than 1000 molds and we can make cropping, silkscreen, label, sticker, lasercarve and create a new mold for you in today's industrial world and with the development therapist of all industries, the need for these products is perceived more than ever, meet these needs and help you achieve your ideals.

SZOMKADVANTAGE:

R&D CUSTOMIZE **Advanced TECHNOLOGY** **Strictly QUALITY CONTROL** **Excellent SERVICE TEAM**

✓ **Certificated iso, quality assurance**
Certificated FCC & CE

Small order It's no problem
MOQ=1

QTY order High quality short
delivery time

Urgent order Urgent order no problem
how many pcs finished
we will sending to you at once

Packing and delivery for plastic enclosure wall mount

2) then export the standard carton

3) as customer request

Delivery:

Standard series product	1-3 working days
Custom product in stock	3-10 working days
Custom product sold out	10-20 working days

Remarks: Every customer situation is different, please contact our sales confirmation for details.

Contact US:



T/T, WESTERN UNION, MONEY
GRAM AND PAYPAL ACCPETED.

Skype: SZOMK_Sukey Xiao

Tel: +86 13392817030

E-mail: sukey@szomk.net

Contact Us