

Packaging & Delivery

Packaging Details:

Carton and plastic foam and tape packaging

Delivery Detail:

5-7 working days

SZOMK



 **Enclosure Manufacturer**
www.chinaenclosure.com

SZOMK

Customizable
cutout, sticker
silkscreen, color



Weight: 72g
Model No. AK80003

Size: 2.83*3.43*2.36 inch
72*87*60 mm

SZOMK

A1



B1

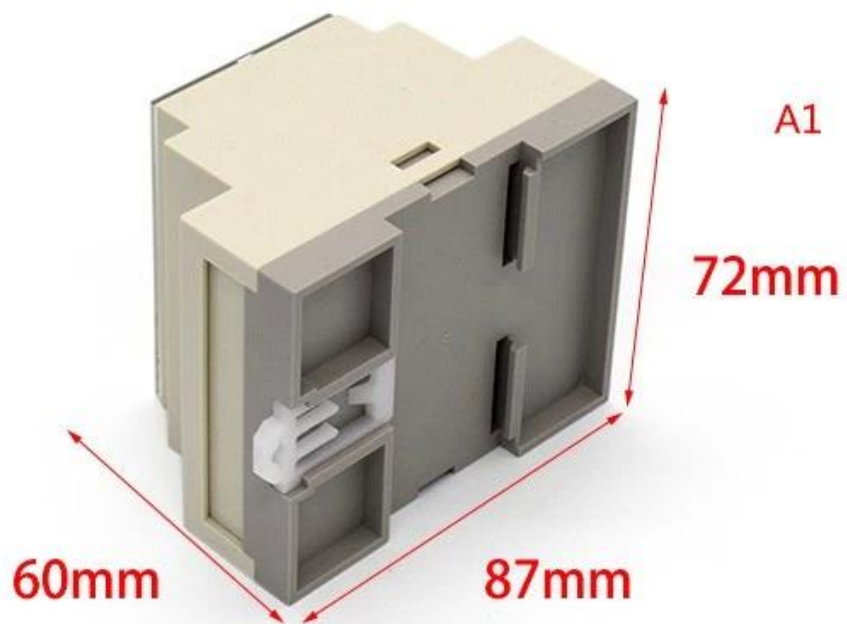


SZOMK



A1

SZOMK



SZOMK



SZOMK



B1

Dispone di un contenitore in plastica ABS con guida DIN in plastica per scatola di progetto elettronica

Ha una forte resistenza alla corrosione, durata e resistenza alla corrosione.

La superficie può formare due colori diversi per soddisfare le tue esigenze.

3. Ha una forte durezza, un'ottima protezione dei prodotti elettronici.

Che cosa possiamo fare per voi?

Un trapano, un pugno e simili. Grafica su richiesta.

2 verniciatura a polvere, pennello per lucidatura, serigrafia, incisione laser, adesivi, goffatura, pellicola acrilica.

3 I tempi di consegna sono brevi, in genere 3-5 giorni dopo il pagamento (in termini di numero)

4 La tua rapida risposta alla richiesta

Servizi personalizzati

We can do customize

- Plate**: Images of yellow, black, and blue perforated metal plates.
- Silkscreen**: A silver metal enclosure with 'GPS Logistic' printed on it.
- Sticker**: A black sticker with 'CHIPTUNING-BOX' and 'CHIP TUNINGMAX' printed on it.
- Silicone Seals**: A blue silicone gasket for a rectangular enclosure.
- Color**: Images of various colored metal enclosures in blue, black, pink, yellow, and silver.
- Cutout**: A red metal enclosure with two circular cutouts.

Company Information



Shenzhen Futian Huaqiang Electronic World OMK Electronic Sales Departmen

This complex, during long years of efforts with its own experienced group and sole facilities for improvement of productions and promotion of products quality, is now one of the largest suppliers of all kinds of metallic and plastic enclosures in different fields of electronic, electrical, communication, medical, industrial and research projects purposes.

In today's industrial world and with the rapid development of all industries, the need of these products is sensed more than ever. Therefore by offering the best quality and service, we try to meet these needs and help you to reach your ideals.

Factory and showroom



Certificate



Packaging & Shipping



informazioni sui contatti:



T/T, WESTERN UNION, MONEY
GRAM AND PAYPAL ACCPETED.

Skype: 13691908154

Tel: +86 13691908154

E-mail: galaxie@szomk.net

[Contact Us](#)