

Features:

- 1, the product has a separate boxes and cartons.
- 2, the wall and the shell wall screw, the decorative sheet (grinding screw position).
- 3, with a simple (client) to match the screw
- 4, all of pouch packaging.
- 5, the product is made of a plastic material
- 6, respectively, according to their needs and drilling.

Main purpose:

In the wall-mounted meter boxes and geographical differences in the different names are used for different industrial main junction boxes, meter boxes, electronic products, such as Shell, is mainly used for indoor and outdoor electrical, communications, fire fighting equipment, iron, electronics, electricity, railways, construction sites, cocks, airports, hotels, large factories, pollution range.

Customization service we offer

- 1, cutout / cut holes
- 2, Silk screen / Print Logo
- 3, Sticker
- 4, Make new abrasives
- 5, Change color

SZOMK



▶ **Enclosure Manufacturer**
www.chinaenclosure.com

SZOMK

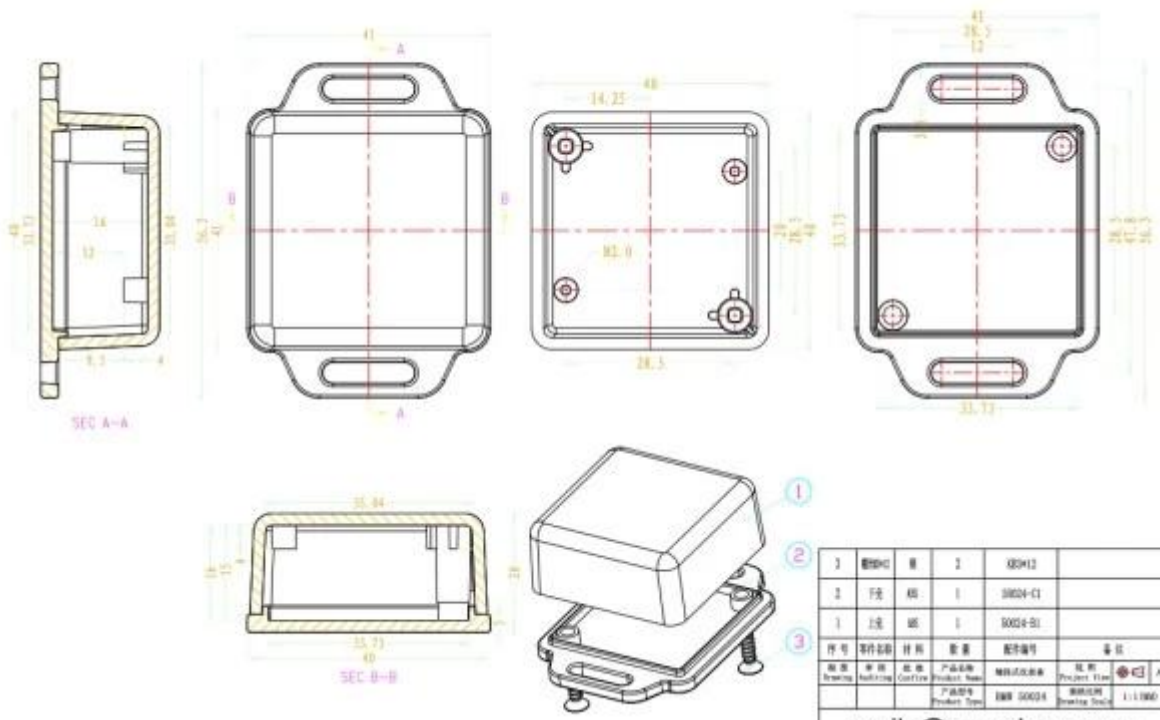


SZOMK



SZOMK





1	盖	盖	1	ABS	
2	底座	底座	1	ABS	
3	脚轮	脚轮	4	PP	
序号	零件名称	材料	数量	备注	
图号	图名	比例	产品图	审核	日期
Drawing	Part Name	Scale	Product Name	Product Type	Product Date
			EMM 50034	EMM50034	1:1/000

emily@szomk.com.cn