

Features:

- 1, the product has a separate boxes and cartons.
- 2, the wall and the shell wall screw, the decorative sheet (grinding screw position).
- 3, with a simple (client) to match the screw
- 4, all of pouch packaging.
- 5, the product is made of a plastic material
- 6, respectively, according to their needs and drilling.

Main purpose:

In the wall-mounted meter boxes and geographical differences in the different names are used for different industrial main junction boxes, meter boxes, electronic products, such as Shell, is mainly used for indoor and outdoor electrical, communications, fire fighting equipment, iron, electronics, electricity, railways, construction sites, cocks, airports, hotels, large factories, pollution range.

Customization service we offer

- 1, cutout / cut holes
- 2, Silk screen / Print Logo
- 3, Sticker
- 4, Make new abrasives
- 5, Change color

SZOMK



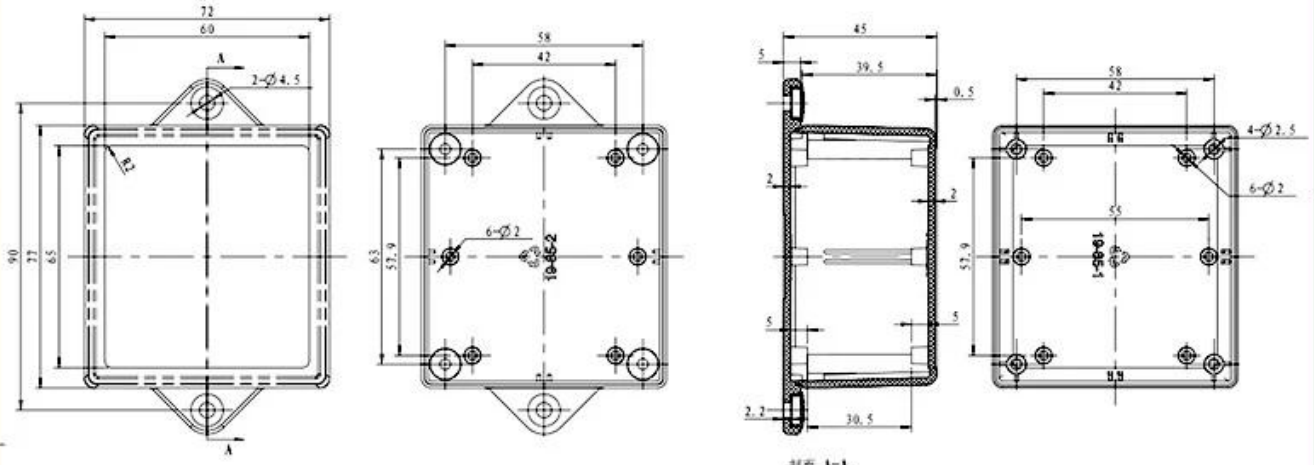
▶ **Enclosure Manufacturer**
www.chinaenclosure.com

SZOMK

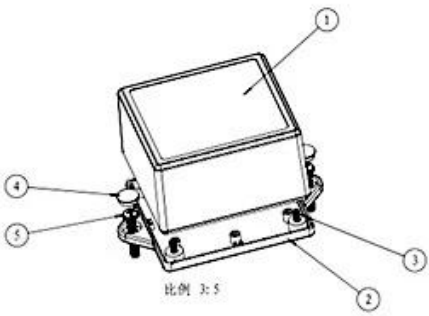


SZOMK





剖面 A-A



5						
4	19-81-3	螺丝盖子	2	普通ABS		
3	PT3X8	PT3x8十字圆头自攻螺钉	4	铁		
2	19-85-2	下壳	1	普通ABS		
1	19-85-1	上壳	1	普通ABS		
序号 Number	产品编号 Product Code	零件名称 Part Name	数量 Quantity	材料 Material	重量(g) weight	备注 Remarks
图号 Drawing	审核 Auditing	制造 Conform	客户名称 Customer Name		材料 Material	



QQ

2406659781



Tel

86-755-83222882

86-18598241813



Add

628Room,505 Building ,Shangbu industry,
Hangtian road ,Futian district ,Shenzhen,
China,518031



Email

emily@szomk.com.cn



skype

szomk1010