

# Smart Car Parking Enclosures Nylon Material Smart City

Product show:



**SZOMK**

**197\*45mm**



**895g**

**AK-N-77**

**SZOMK**

**197\*45mm**

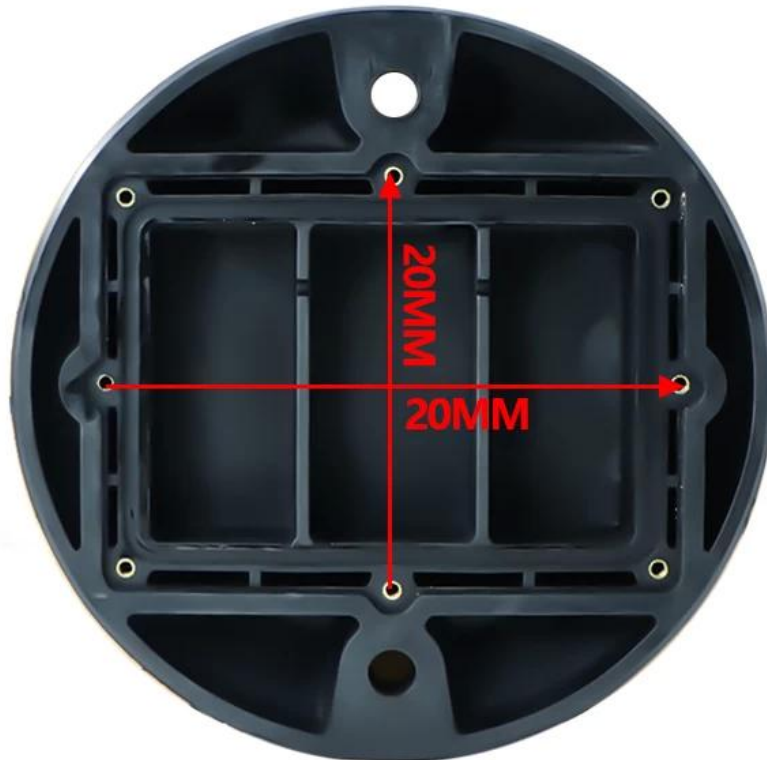


**895g**

**AK-N-77**

**SZOMK**

**197\*45mm**



**895g**

**AK-N-77**

### **Benefits for plastic enclosure for electronic device**

1. It has a strong resistance to abrasion, atmospheric agents, corrosion.
2. It can be formed on the surface of a variety of colors, to maximize your needs.
3. Having a strong hardness, it can be well protected by electronics.

**What can we do for you? Of hot selling abs plastic casing for**

## pcb board



1. We supply thousands of public fences and we have some goods in our warehouse.

MOQ: 1 pc

2. We can do DIY small order customservice ----- MOQ: 20-50 pcs

3. We are able to design custom private enclosures (if you supply PCBs)

4. For personal mold customization (Providesample or STEP file)

6. Customized service: cutout / mold / acrylic / PVC label / silk screen / laser engraving / self adhesive / silicone / color changing and soon.

## Who we are?

SHENZHENOMK ELECTRONICS CO., LTD is now one of the largest suppliers of all

kinds of plastic and metal enclosures in various fields of electronics, electrical, communication, medicine, industry and research, we have more than 1000 molds and we can make cropping, silkscreen, label, sticker, lasercarve and create a new mold for you in today's industrial world and with the development therapist of all industries, the need for these products is perceived more than ever, meet these needs and help you achieve your ideals.

## **SZOMKADVANTAGE:**

### **Packaging and delivery for plastic box electronic enclosure**

- 1) packing enclosure enclosure by poly bag
- 2) then export the standard carton
- 3) as customer request

#### **Delivery:**

Standard series product	1-3 working days
Custom product in stock	3-10 working days
Custom product sold out	10-20 working days

**Remarks:**Every customer situation is different, please contact our sales confirmation for details.

#### **Contact US:**