

Here is our customize service:

- 1, change aluminum length
- 2, change color of our boxes
- 3, product polishing
- 4, powder coating
- 5, brushed oil
- 6, cut-out
- 7, lasder engraving
- 8, PVC label
- 9, Acrylic plate
- 10, silk screen printing
- 11, make sticker
- 12, silica gel edges
- 13, sandblasting
- 14, wire drawing
- 15, UV protection

Use:

It is widely used in electronics, instrumentation, automation, communication, power supply unites, student projects, amplifiers, healthcare equipment, test and measurement equipment, industrial control, peripherals devices and interfaces, switch boxes.

Attention:

Welcome to contact us for more details and quotations of our enclosure, your inquiry will surely get prompt response in 24 hours. :-)

SZOMK

Customizable
Cutout, sticker
Silkscreen, color



Weight :13 g
Model No. AK-S-73

Size:1.6*1.6*0.79 inch
41*41*20 mm

SZOMK

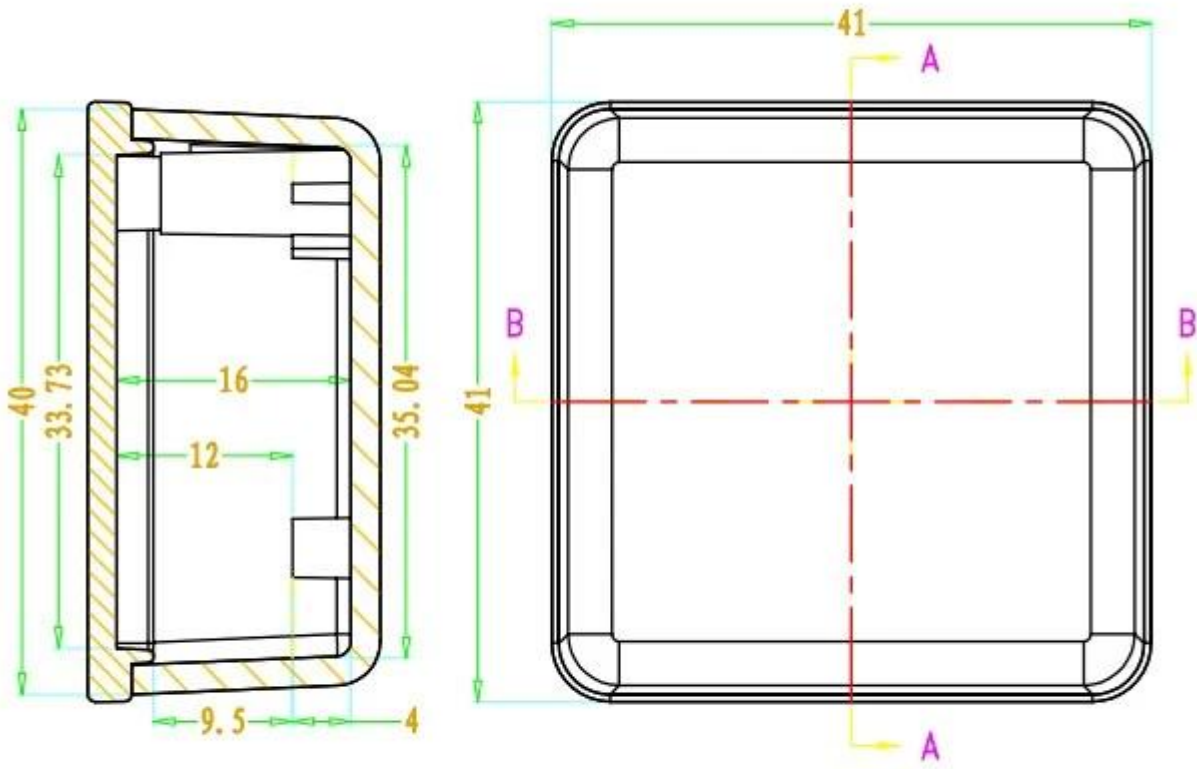


SZOMK

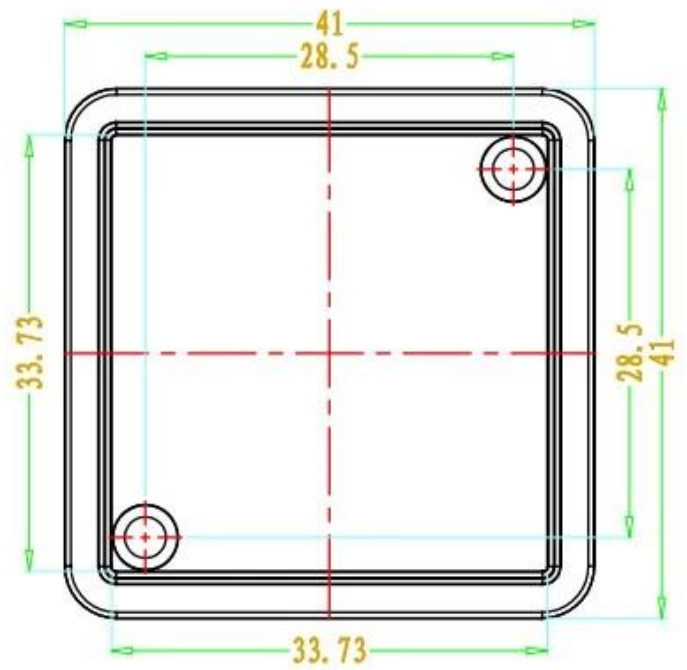
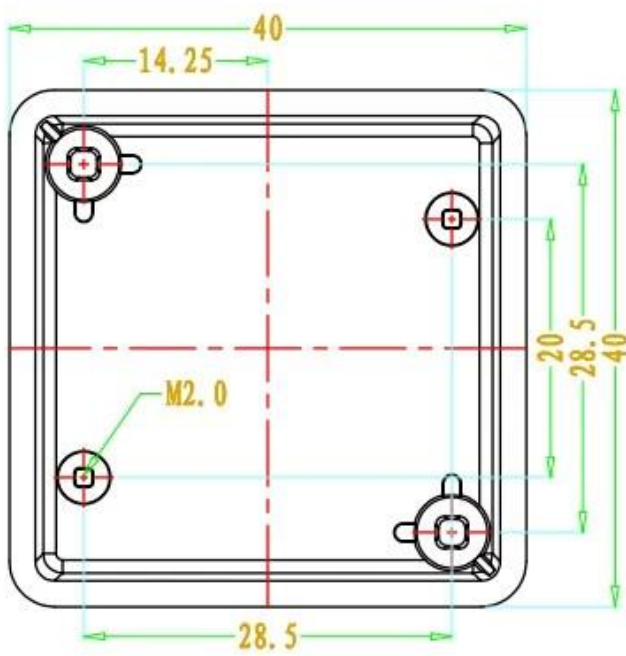


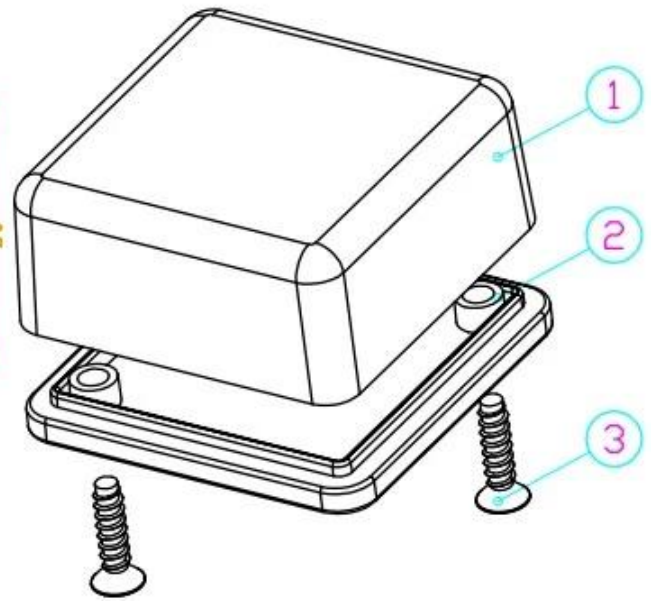
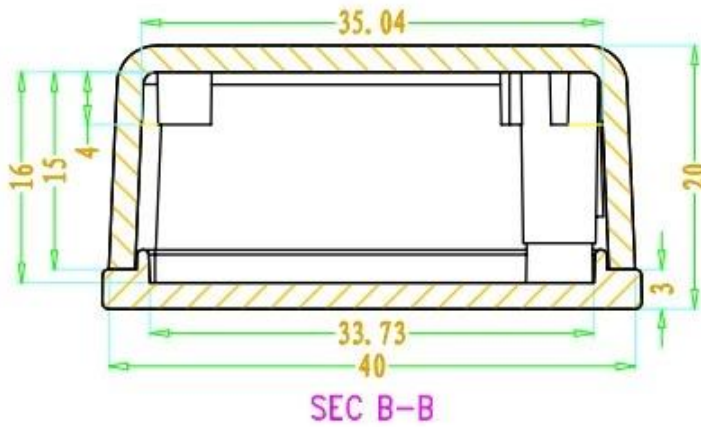
SZOMK





SEC A-A





公司简介 CHARACTERISTICS

制造充满幸福的产品
To reate products that deliver happiness to everyone

SHENZHEN OKM ELECTRONICS CO.,LTD is now one of the largest suppliers of all kinds of plastic and metallic enclosures in different fields of electronic, electrical, communication, medi-cal, industrial and research projects purposes, We have more than 1000 moulds, and we can do cutout, silkscreen, label, sticker, laser carve and creat a new mould for you In today's industrial world and with the rapid development of all indus-tres, the need of these prodrcts is sensed more than ever. meet these needs and help you to reach your ideals.

EXHIBITION



FACTORY





Certificated iso,quality assurance
Certificated FCC &CE

FAQ

1. who are we?

We are based in Guangdong, China, start from 2009, sell to North America(00.00%), Eastern Europe(00.00%), Western Europe(00.00%), Northern Europe(00.00%), Southern Europe(00.00%), Eastern Asia(00.00%), Central America(00.00%), Domestic Market(00.00%), Southeast Asia(00.00%), South America(00.00%), Africa(00.00%), Oceania(00.00%), Mid East(00.00%), South Asia(00.00%). There are total about 11-50 people in our office.

2. how can we guarantee quality?

Always a pre-production sample before mass production;

Always final inspection before shipment;

3. what can you buy from us?

Electronic Equipment Enclosure (Plastic Enclosure, Aluminum Enclosure, Iron Case)

4. why should you buy from us not from other suppliers?

1) Advantages: Small orders and DIY design

2) Customizing processing and developing customizable private mold

3) design 3D Drawings drafts for customers

4) Help customers to design the products structure and appearance

5) Lead time is short.

5. what services can we provide?

Accepted Delivery Terms: FOB, CFR, CIF, EXW, FAS, CIP, FCA, CPT, DEQ, DDP, DDU, Express Delivery, DAF, DES;

Accepted Payment Currency: USD, EUR, JPY, CAD, AUD, HKD, GBP, CNY, CHF;

Accepted Payment Type: T/T, L/C, D/P, D/A, MoneyGram, Credit Card, PayPal, Western Union, Cash, Escrow;

Language Spoken: English, Chinese



QQ

505924585



Tel

86-755-83222882
86-13028816914



Add

628Room,505 Building ,Shangbu industry,
Hangtian road ,Futian district ,Shenzhen,
China,518031



Email

lily@szomk.net



skype

szomk006