

Advantages of SZOMK housing

1. It has strong corrosion resistance, weatherability, corrosion resistance.
2. surface may be formed in a variety of colors, and the maximum to meet your needs.
3. Have a good strong toughness save your electronics.

What can we do for you

1 Drilling, punching and so on. Welcome to the graphics on demand.

2 powder paint, brushes, polishing, silk screen, laser engraving, posters, engraving, acrylic resin panel.

3 short delivery time, usually after 3-5 days after payment (according to the number)

4 tips for your inquiry

product specification

SZOMK



Enclosure Manufacturer

www.chinaenclosure.com

SZOMK

Customizable
cutout, sticker
silkscreen, color



Weight: 110g
Model No. AK-S-04

Size: 6.10*3.15*1.77 inch
155*80*45 mm

SZOMK

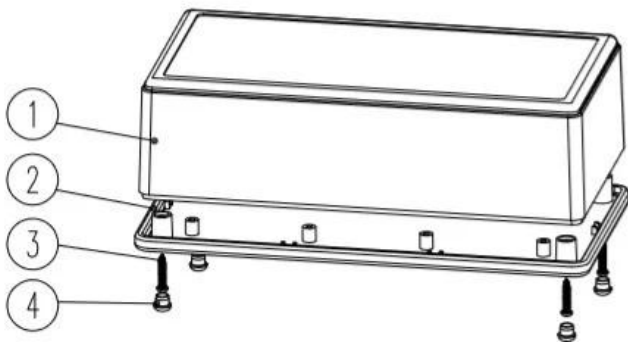
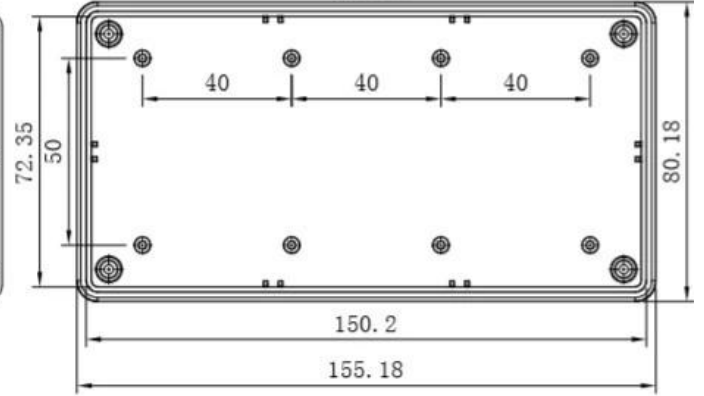
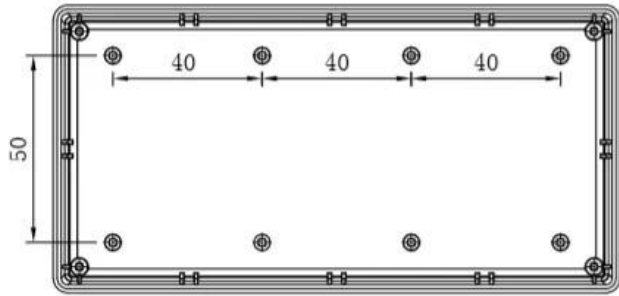
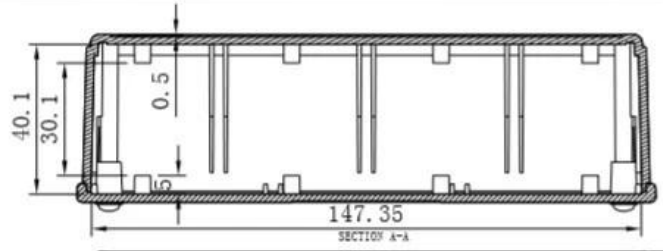
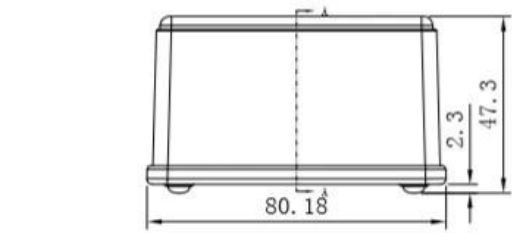


SZOMK



SZOMK





Customized services

— — — — —



Company Information



Shenzhen Futian Huaqiang Electronic World OMK Electronic Sales Departmen

This complex, during long years of efforts with it's own experienced group and sole facilities for improvement of productions and promotion of products quality, is now one of the largest suppliers of all kinds of metallic and plastic enclosures in different fields of electronic, electrical, communication, medical, industrial and research prtojects purposes.

In today's industrial world and with the rapid development of all industries, the need of these products is sensed more than ever. Therefore by offering the best quality and service, we try to meet these needs and help you to reach your ideals.

Factory and showroom



Exhibition



Certificate



Packaging & Shipping



Contact information



QQ

2110283100



Tel

81-755-83222882
+86 18819074698



Add

16-6Floor, 505Building ,Shangbu Industry
Area, Hangtian RD, Futian District ,Shenzhen
China



Email

teddy@szomk.net



skype

teddy@szomk.net



WeChat

teddy07277