

**Here is our customize service:**

- 1, change aluminum length
- 2, change color of our boxes
- 3, product polishing
- 4, powder coating
- 5, brushed oil
- 6, cut-out
- 7, lasder engraving
- 8, PVC label
- 9, Acrylic plate
- 10, silk screen printing
- 11, make sticker
- 12, silica gel edges
- 13, sandblasting
- 14, wire drawing
- 15, UV protection

**Use:**

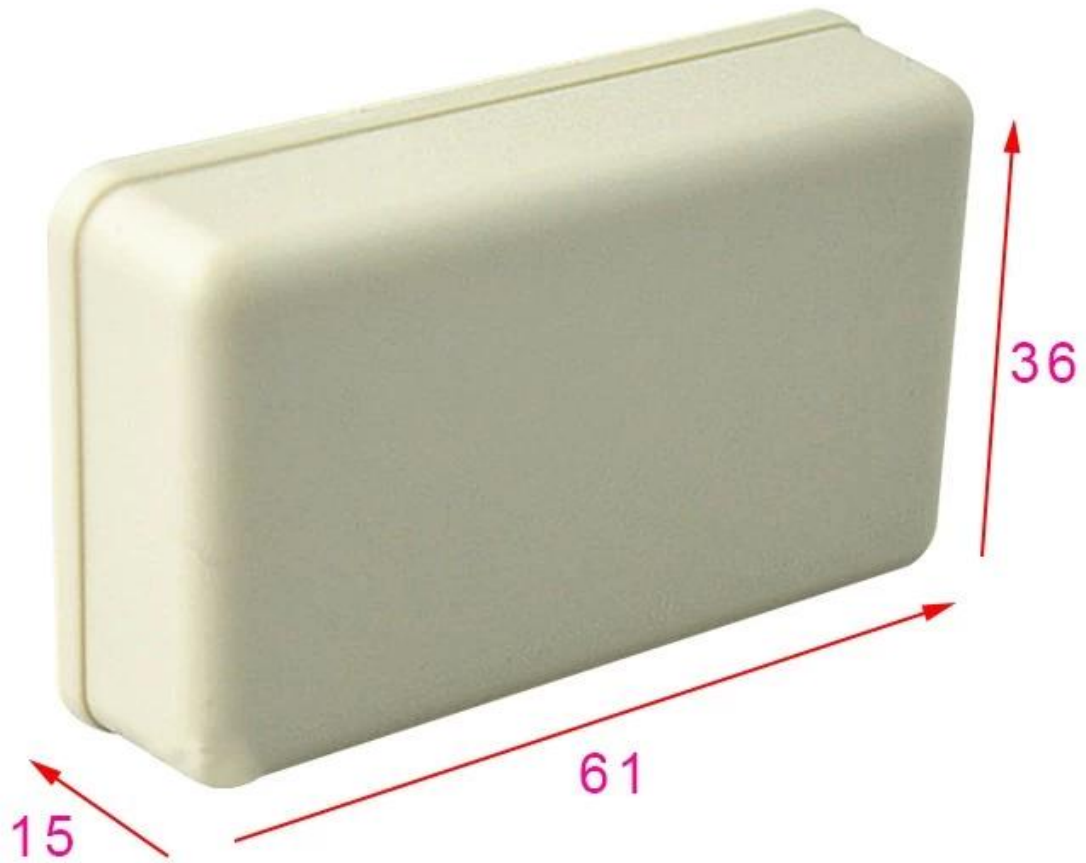
It is widely used in electronics, instrumentation, automation, communication, power supply unites, student projects, amplifiers, healthcare equipment, test and measurement equipment, industrial control, peripherals devices and interfaces, switch boxes.

**Attention:**

Welcome to contact us for more details and quotations of our enclosure, your inquiry will surely get prompt response in 24 hours.  
:-)

**SZOMK**

Customizable  
Cutout, sticker  
Silkscreen, color



Weight : 15 g

Model No. AK-S-66

Size: 2.4\*1.42\*0.59 inch  
61\*36\*15 mm

**SZOMK**

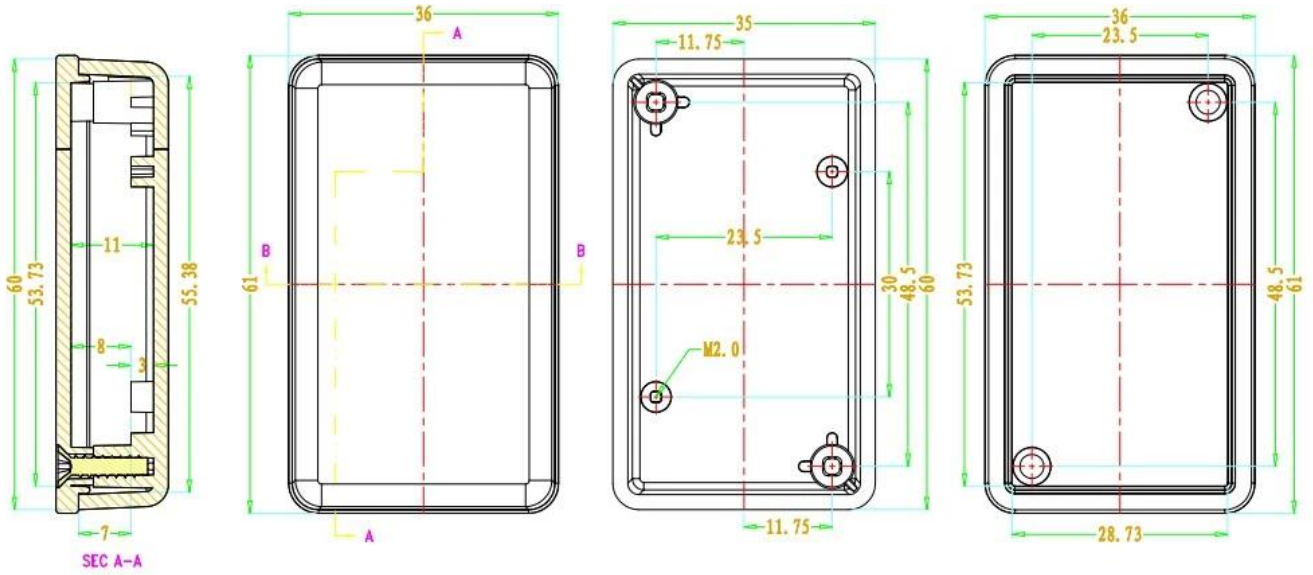


**SZOMK**

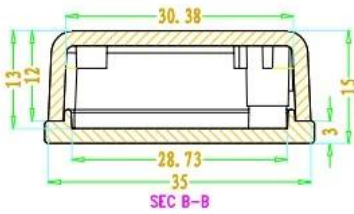


**SZOMK**

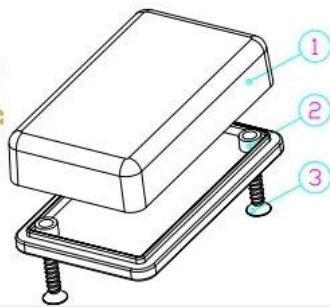




SEC A-A



SEC B-B



3	螺丝M2	颗	2	K39*12	
2	下壳	ABS	1	60030-C1	
1	上壳	ABS	1	60029-B1	
序号	零件名称	材料	数量	配件编号	备注
制图	审核	批准	产品名称	合式状态	日期
Drawing	Autoling	Confirm	Product Name	Product Type	Project Name
			ZMD 60030		图例比例
					Drawing Scale
					1:1 QMD





QQ

505924585



Tel

86-755-83222882  
86-13028816914



Add

628Room,505 Building ,Shangbu industry,  
Hangtian road ,Futian district ,Shenzhen,  
China,518031



Email

[lily@szomk.net](mailto:lily@szomk.net)



skype

szomk006