

Product description:

1. Model number: AK-S-03
2. Size: 110x65x28mm
3. Color: A1, A2, A6, A8, A9, A11
4. Weight: 52g



SZOMK

**Customizable
Cutout, sticker
Silkscreen, color**



Weight :52 g

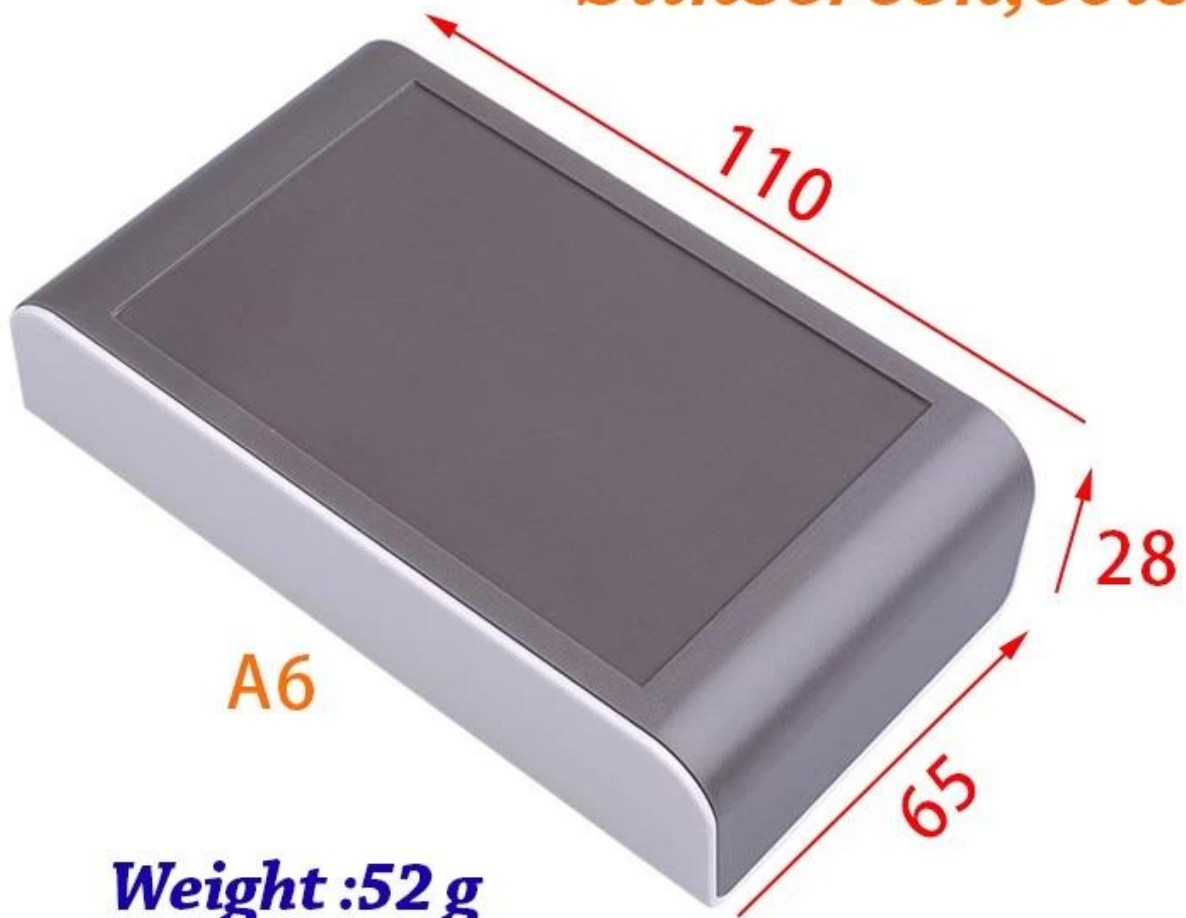
Model No. AK-S-03

110*65*28 mm

Size:4.33*2.56*1.10 inch

SZOMK

**Customizable
Cutout, sticker
Silkscreen, color**



A6

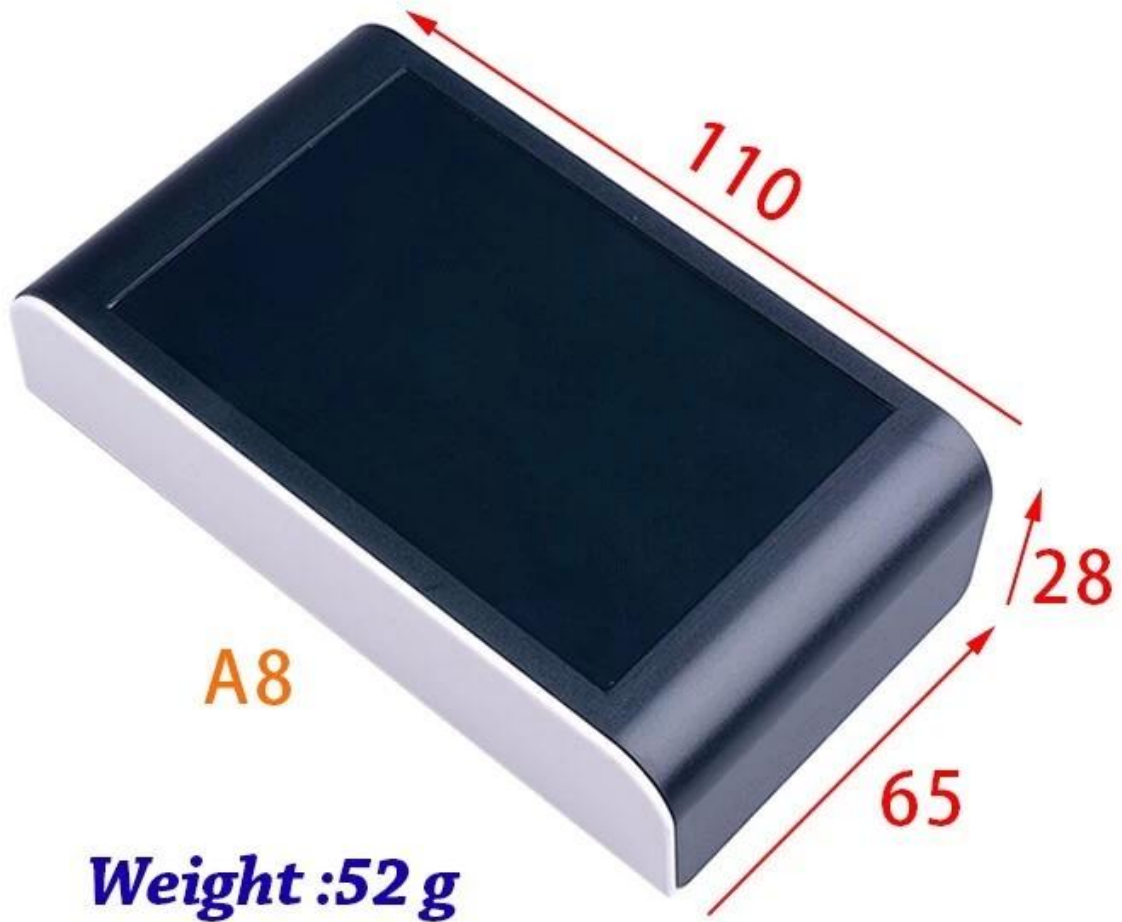
Weight :52 g

Model No. AK-S-03

110*65*28 mm

Size:4.33*2.56*1.10 inch

SZOMK



A8

Weight :52 g

Model No. AK-S-03

110*65*28 mm

Size:4.33*2.56*1.10 inch

SZOMK

**Customizable
Cutout, sticker
Silkscreen, color**



A9

Weight :52 g

Model No. AK-S-03

110*65*28 mm

Size:4.33*2.56*1.10 inch

SZOMK

**Customizable
Cutout, sticker
Silkscreen, color**



A11

Weight :52 g

Model No. AK-S-03

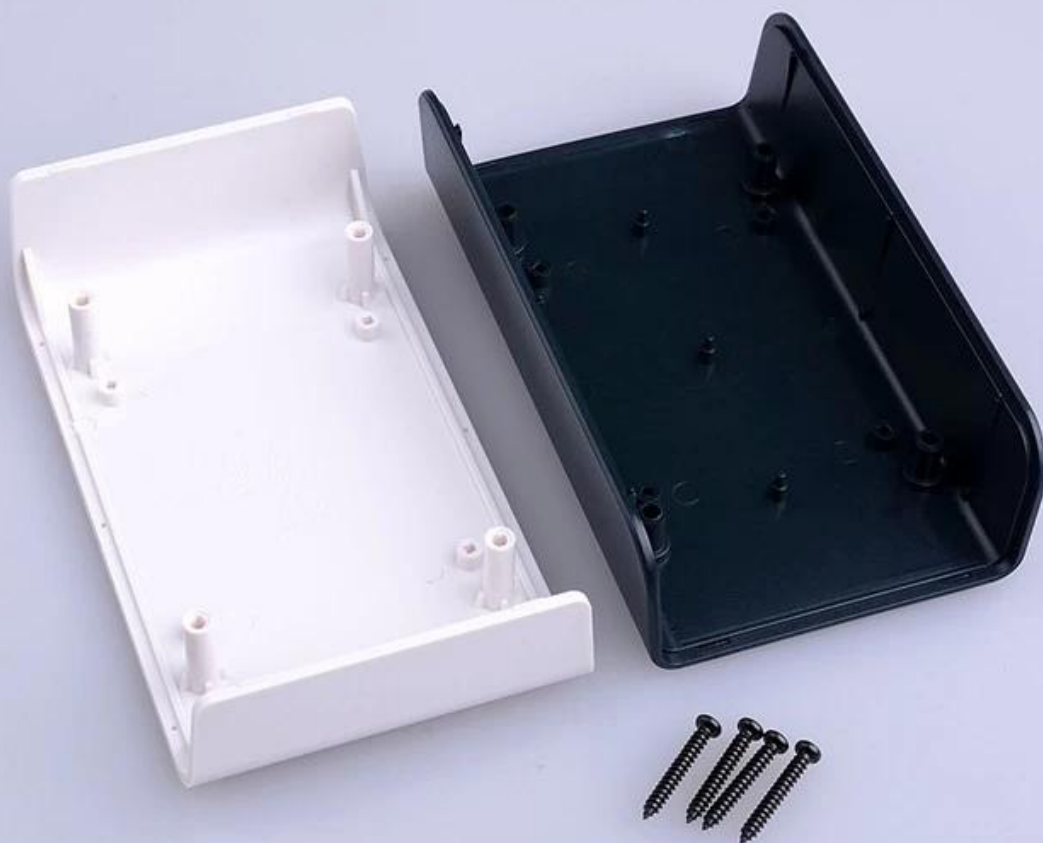
110*65*28 mm

Size:4.33*2.56*1.10 inch

SZOMK



SZOMK



SZOMK



SZOMK

A9

A11

A8



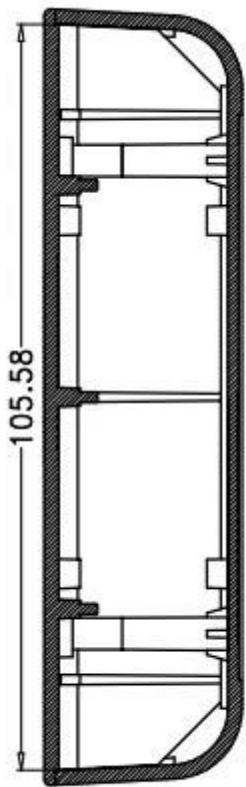
A1

A2

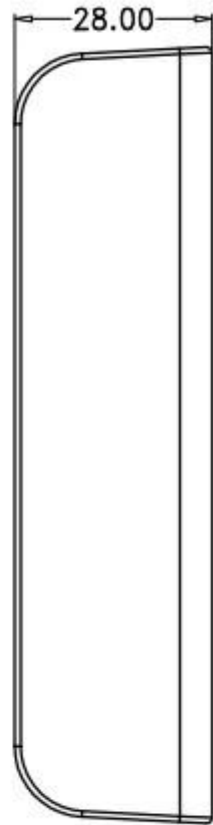
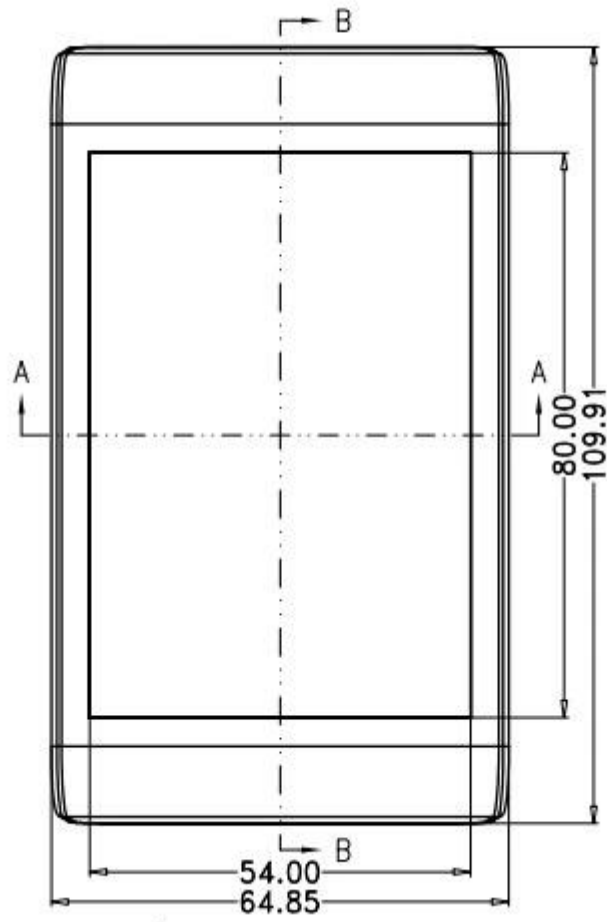
A6

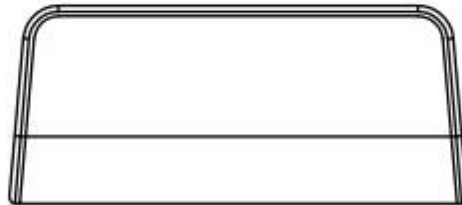
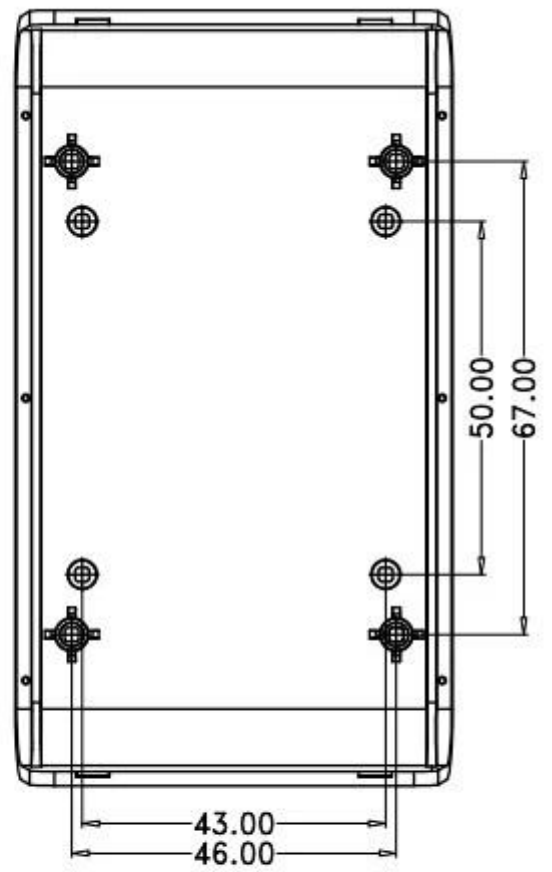
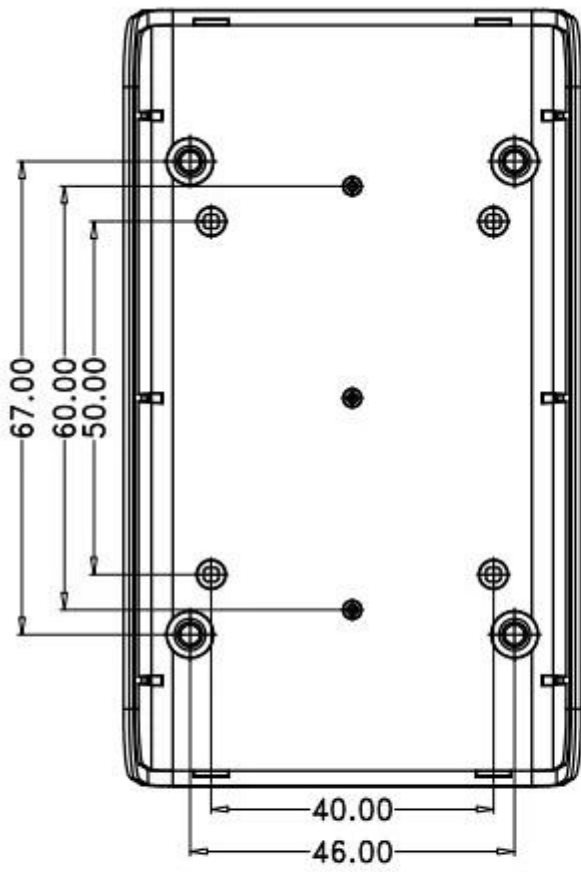
SZOMK

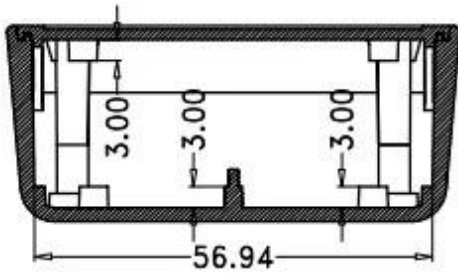




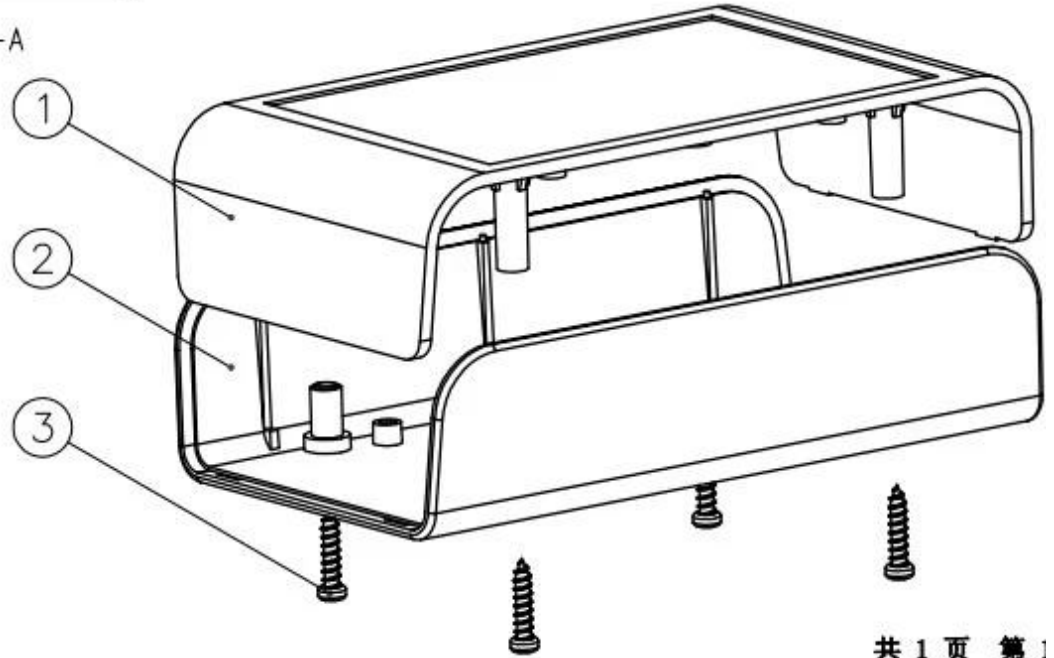
SECTION B-B







SECTION A-A



共 1 页 第 1

Our customized service:

1. Change length
2. Change color
3. Polishing
4. Powder coating
5. Brushed aluminum foil
6. Drill holes
7. Laser engraving
8. PVC label
9. Acrylic plate
- 10. Silk screen**



公司简介 CHARACTERISTICS

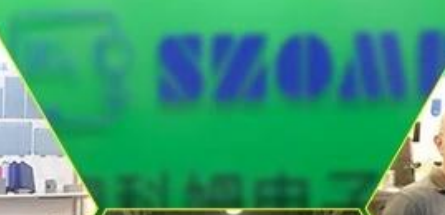
制造充满幸福的产品

To reate products that deliver happiness to everyone

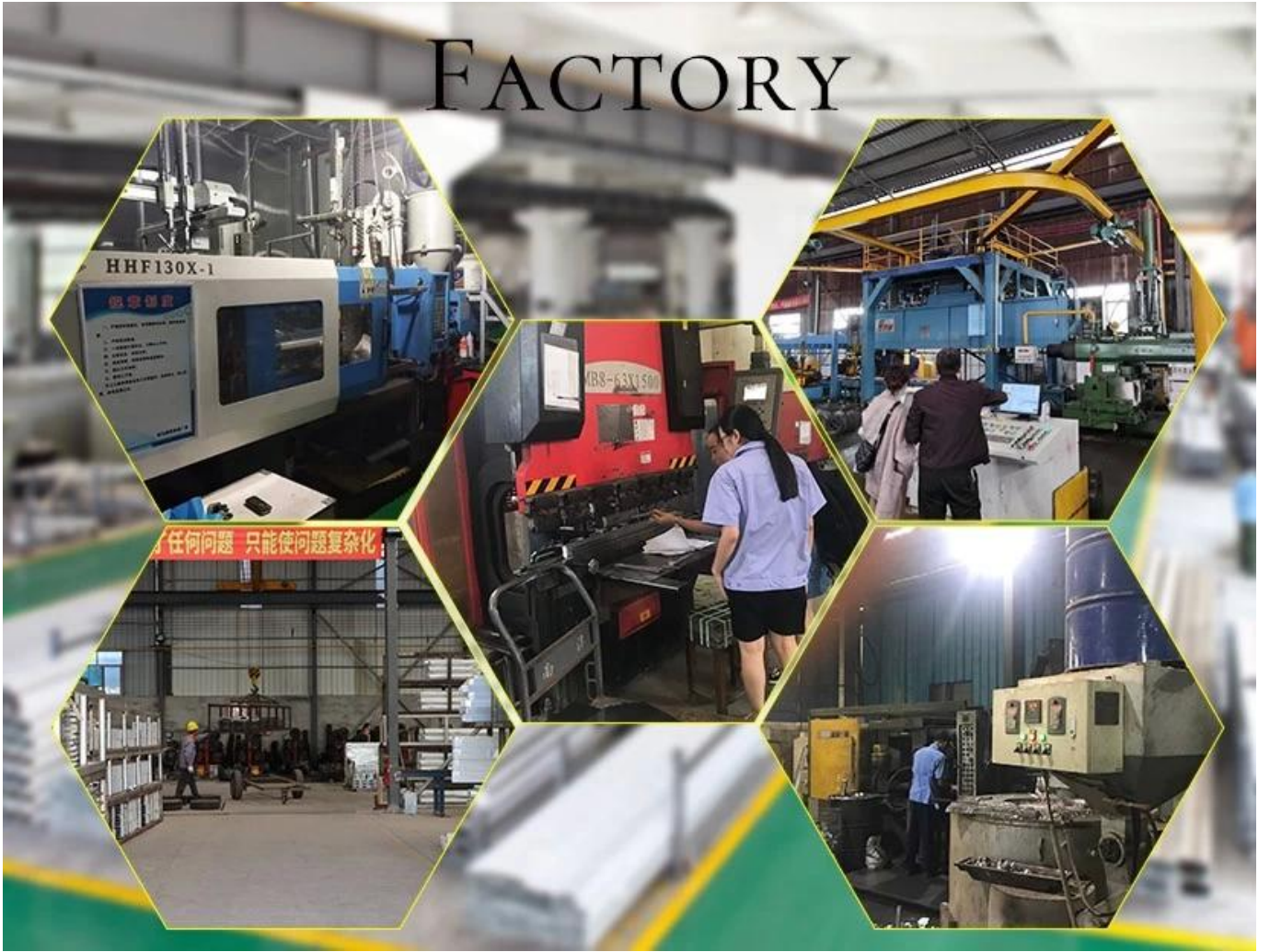


SHENZHEN OKM ELECTRONICS CO.,LTD is now one of the largest suppliers of all kinds of plastic and metallic enclosures in different fields of electronic, electrical, communication, medi-cal, industrial and research projects purposes, We have more than 1000 moulds, and we can do cutout, silkscreen, label, sticker, laser carve and creat a new mould for you In today's industrial world and with the rapid development of all indus-tres, the need of these prodrcs is sensed more than ever. meet these needs and help you to reach your ideals.

EXHIBITION



FACTORY





Certificated iso,quality assurance
Certificated FCC &CE

FAQ

1. who are we?

We are based in Guangdong, China, start from 2009, sell to North America(00.00%), Eastern Europe(00.00%), Western Europe(00.00%), Northern Europe(00.00%), Southern Europe(00.00%), Eastern Asia(00.00%), Central America(00.00%), Domestic Market(00.00%), Southeast Asia(00.00%), South America(00.00%), Africa(00.00%), Oceania(00.00%), Mid East(00.00%), South Asia(00.00%). There are total about 11-50 people in our office.

2. how can we guarantee quality?

Always a pre-production sample before mass production;
Always final inspection before shipment;

3. what can you buy from us?

Electronic Equipment Enclosure (Plastic Enclosure, Aluminum Enclosure, Iron Case)

4. why should you buy from us not from other suppliers?

- 1) Advantages: Small orders and DIY design
- 2) Customizing processing and developing customizable private mold
- 3) design 3D Drawings drafts for customers
- 4) Help customers to design the products structure and appearance
- 5) Lead time is short.

5. what services can we provide?

Accepted Delivery Terms: FOB, CFR, CIF, EXW, FAS, CIP, FCA, CPT, DEQ, DDP, DDU, Express Delivery, DAF, DES;
Accepted Payment Currency: USD, EUR, JPY, CAD, AUD, HKD, GBP, CNY, CHF;
Accepted Payment Type: T/T, L/C, D/P, D/A, MoneyGram, Credit Card, PayPal, Western Union, Cash, Escrow;
Language Spoken: English, Chinese