

## specifiche tecniche:

**Luogo di origine: shenzhen, cina**

**Tipo: scatola di giunzione per custodia elettronica plastic**

**Modello n .: AK-H-71**

**Dimensioni: 80 \* 60 \* 26,5 mm**

**Materiale: plastica ABS**

**Campione MOQ: 1 pezzo**

**su misuraservizio:** ritaglio, serigrafia, colore, adesivo, incisione laser,  
foglio acrilico, creare muffe

MOQ personalizzato: 20 pezzi

Imballaggio: cartone

**SZOMK**



▶ **Enclosure Manufacturer**  
[www.chinaenclosure.com](http://www.chinaenclosure.com)

# SZOMK

Customizable  
cutout, sticker  
silkscreen, color



Weight: 39g  
Model No. AK-H-71

Size: 3.15\*2.36\*1.04 inch  
80\*60\*26.5 mm

**SZOMK**



**SZOMK**



**SZOMK**



**SZOMK**



**SZOMK**

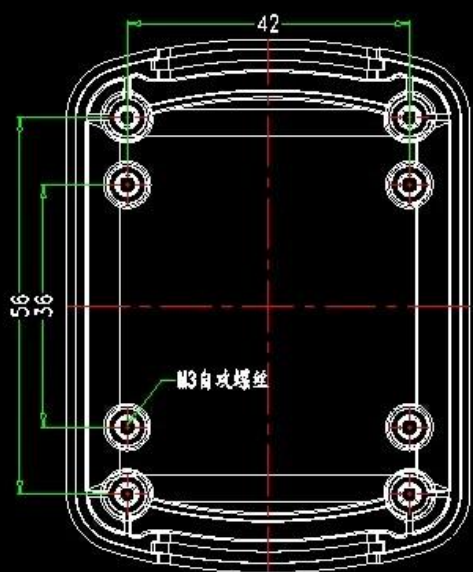




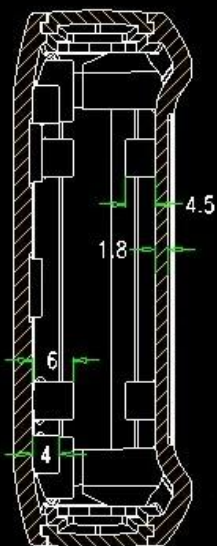
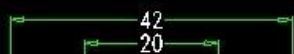
**SZOMK**



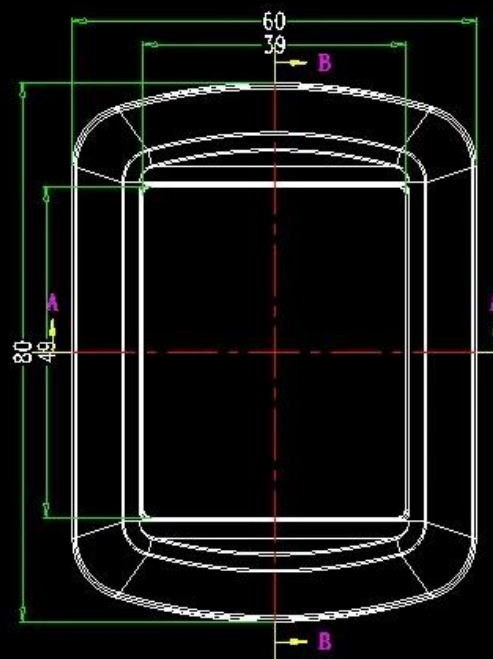
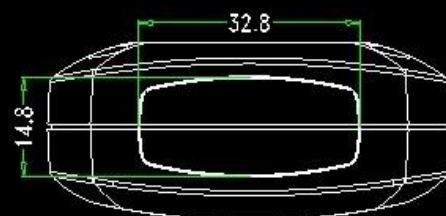
上壳内视图

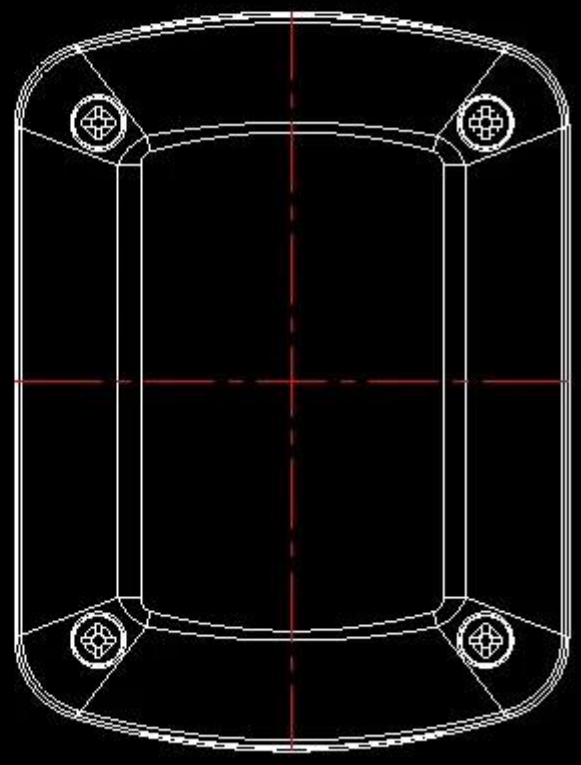
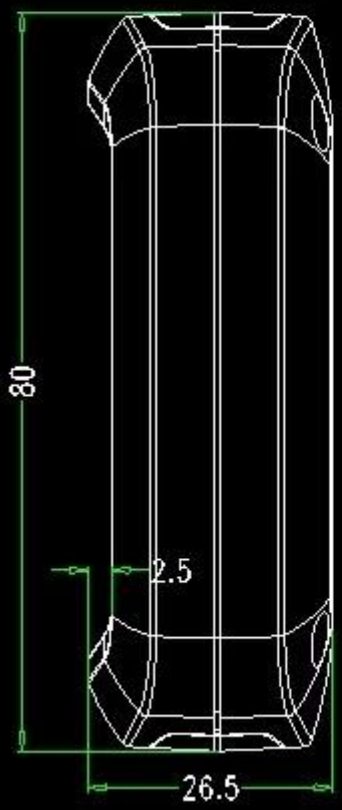
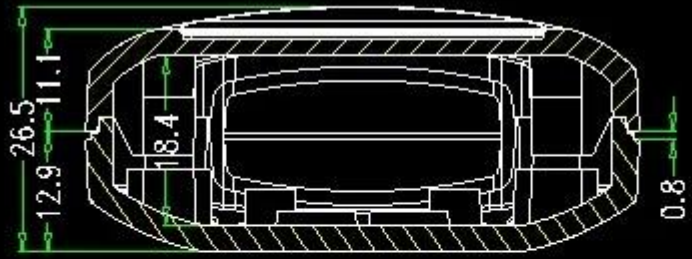


底壳内视图

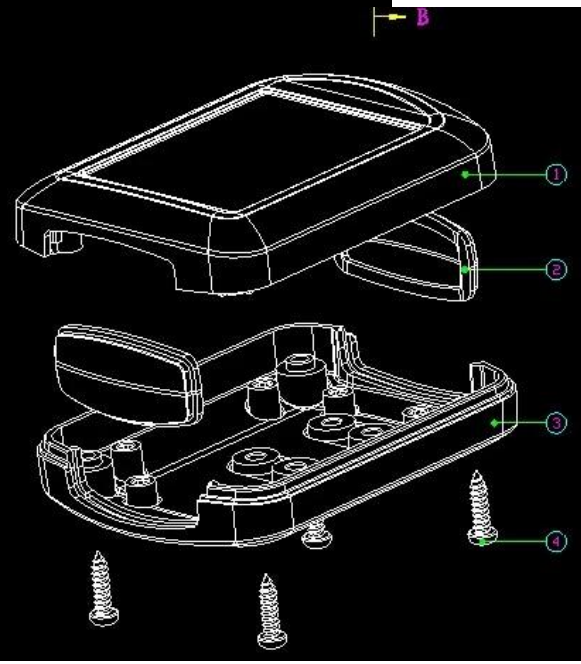
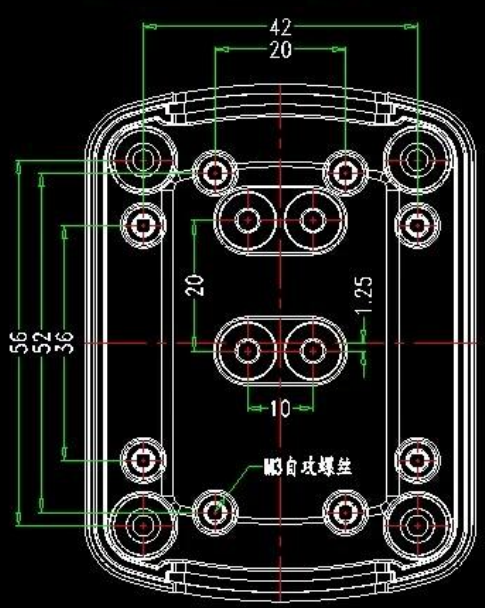


SEC B-B





SEC B-B



Ecco il nostro servizio personalizzato:

1, cambiare la lunghezza in alluminio 2, cambia il colore delle nostre scatole

3, lucidatura del prodotto 4, rivestimento in polvere

5, olio spazzolato 6, ritaglio

7, incisione laser 8, etichetta in PVC

9, piatto acrilico 10, serigrafia

11, fare l'adesivo 12, bordi in gel di silice

13, sabbiatura 14, trafilatura

15, protezione UV 16, stampo aperto



*Plate*



*Silkscreen*



*Sticker*

*We can do  
customize*

*Cutout*



*Silicone Seals*



*Color*



# We can do customize

Cut holes  
Silkscreen  
Sticker



# We can do customize

change the color



# We can do customize

PVC lable  
Acrylic plate  
Sticker



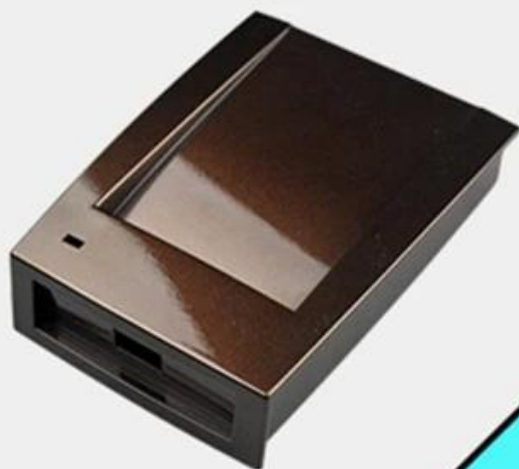


# We can do customize

Cut holes  
Silkscreen  
Laser carve



**We can do customize**



**UV  
Protection**



# We can do customize

Cut holes  
Silkscreen  
Sticker



# We can do customize



## Uso:

È ampiamente utilizzato in elettronica, strumentazione, automazione, comunicazione, gruppi di alimentazione, progetti per studenti, amplificatori, apparecchiature sanitarie, apparecchiature di test e misura, controllo industriale, dispositivi periferici e interfacce, scatole di commutazione.

It is widely used in electronic, instrumentation, automation, communications, power supply units, student projects, amplifiers, Medical and wellness devices, test and measurement equipment, industrial control, peripheral devices and interfaces, switch boxes.



Attenzione:

Non esitate a contattarci per ulteriori dettagli e quotazioni del nostro recinto, la vostra inchiesta sarà sicuramente ottenere una risposta rapida in 24 ore. :-)



QQ

505924585



Tel

86-755-83222882  
86-13028816914



Add

628Room,505 Building ,Shangbu industry,  
Hangtian road ,Futian district ,Shenzhen,  
China,518031



Email

[lily@szomk.net](mailto:lily@szomk.net)



skype

szomk006

## Company Information



### Shenzhen Futian Huaqiang Electronic World OMK Electronic Sales Department

This complex, during long years of efforts with its own experienced group and sole facilities for improvement of productions and promotion of products quality, is now one of the largest suppliers of all kinds of metallic and plastic enclosures in different fields of electronic, electrical, communication, medical, industrial and research projects purposes.

In today's industrial world and with the rapid development of all industries, the need of these products is sensed more than ever. Therefore by offering the best quality and service, we try to meet these needs and help you to reach your ideals.

## Exhibition



## Certificate



## Factory and showroom



## Packaging & Shipping



Shenzhen Futian Huaqiang Electronic World OMK  
Electronic Sales Department

Tel: +86-755-83222882 E-mail: [hyj@szomk.com.cn](mailto:hyj@szomk.com.cn)



# SZOMK

## Our packaging

Plastic foam packaging



Metal shell packaging

Plastic box packaging



Qualsiasi richiesta, si prega di contattare: [teddy@szomk.net](mailto:teddy@szomk.net)

La tua richiesta verrebbe inviata entro 24 ore. : o)