

specifiche tecniche:

Luogo di origine: Shenzhen, Cina

Tipo: scatola di giunzione elettronica plastica

Modello: AK-H-60

Dimensioni: 180 * 81 * 45mm

Materiale: plastica ABS

MOQ campione: 1 pezzo

**su misuraservizio: ritaglio, serigrafia, colore, adesivo,
incisione laser,
foglio acrilico, creare muffa**

MOQ personalizzato: 20 pezzi

Imballaggio: cartone

SZOMK



85g

AK-H-60

▶ Enclosure Manufacturer
www.chinaenclosure.com

SZOMK

Customizable
cutout, sticker
silkscreen, color



Weight: 85g

Model No.AK-H-60

Size:180*81*45mm

7*3.2*1.7inch

SZOMK



SZOMK



SZOMK



SZOMK



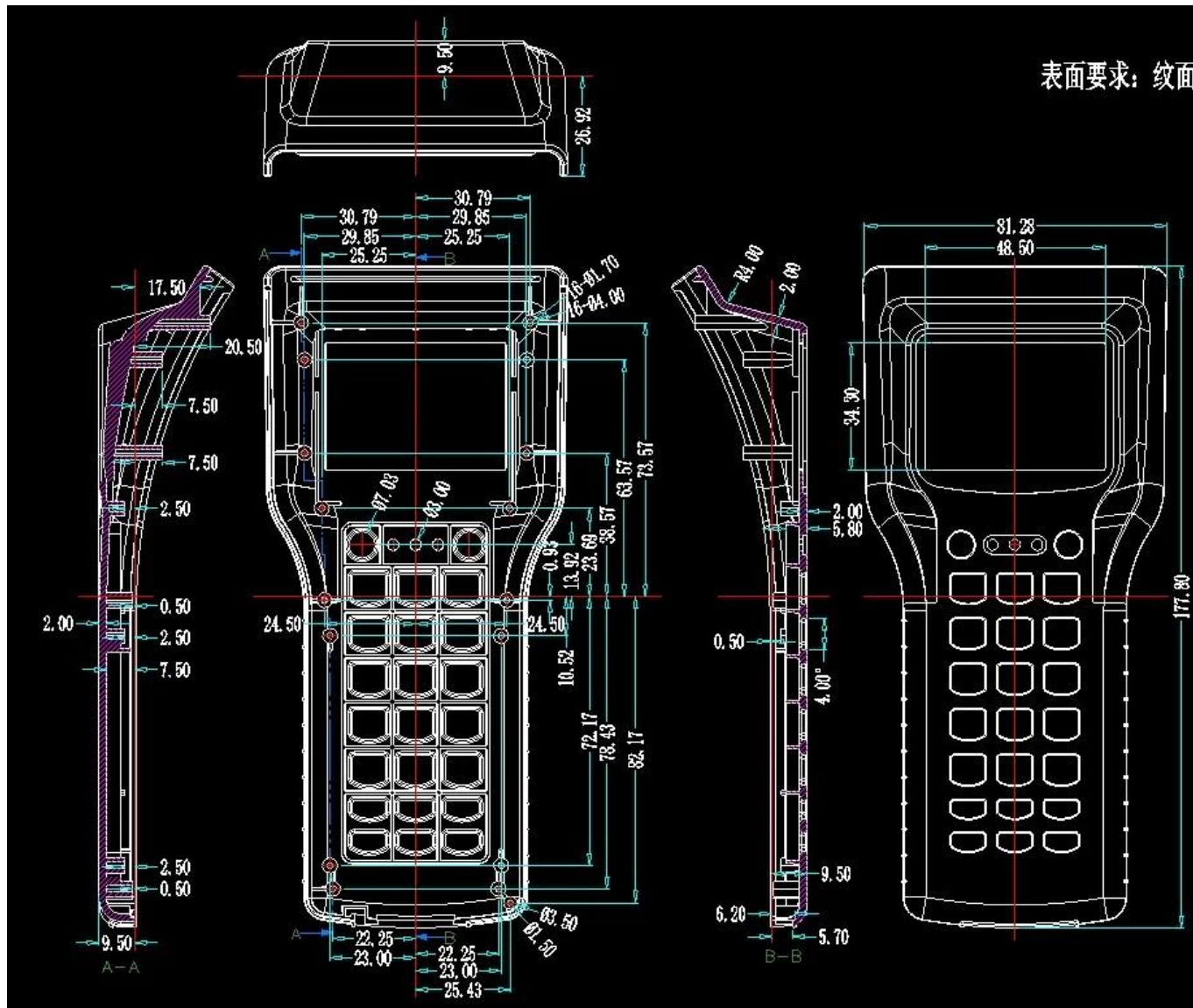
SZOMK

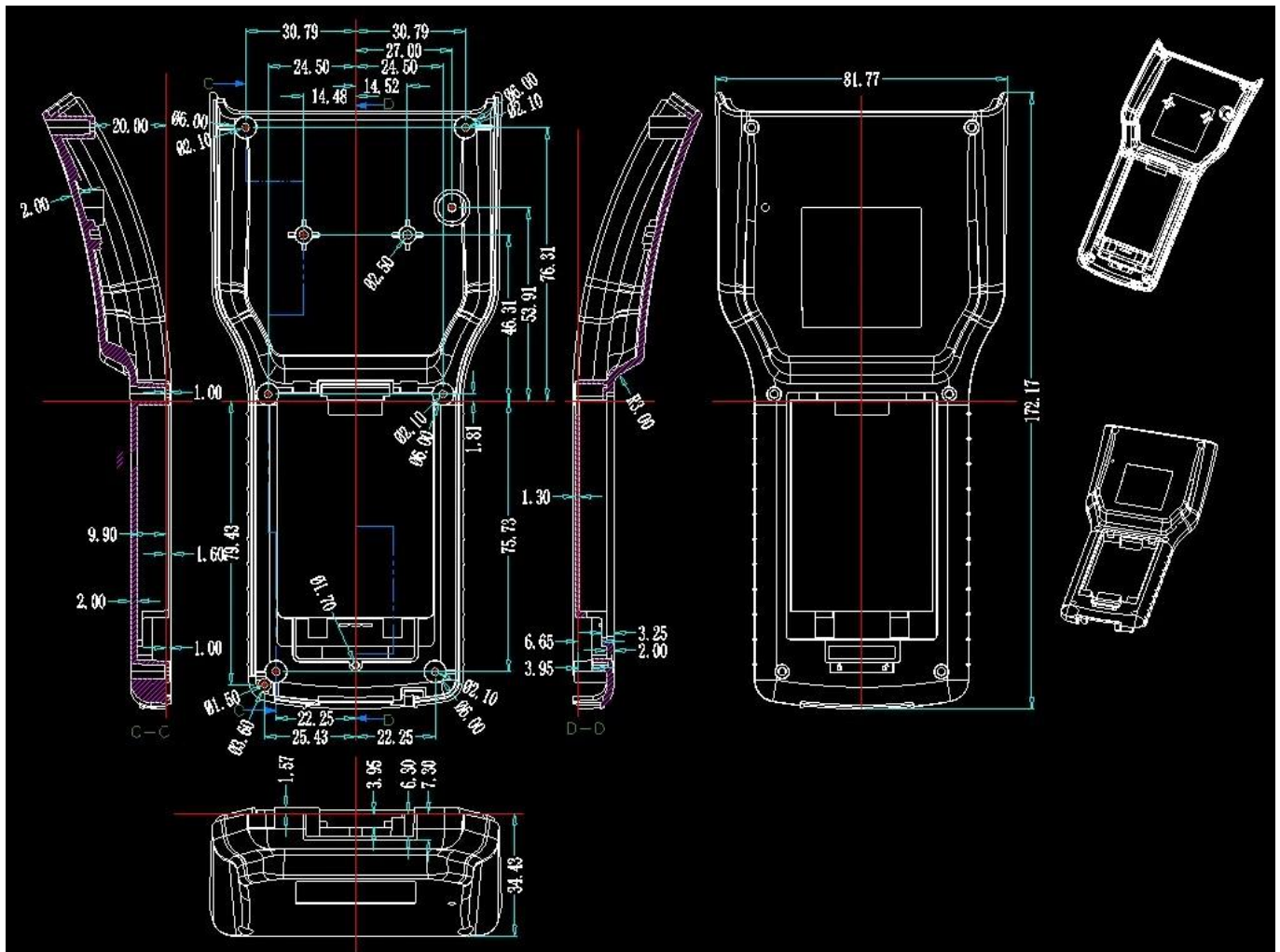


SZOMK



表面要求：纹面





Ecco il nostro servizio personalizzato:

1, cambia la lunghezza dell'alluminio 2, cambia il colore delle nostre scatole

3, lucidatura del prodotto

4, verniciatura a polvere

5, olio spazzolato

6, ritagliato

7, incisione laser

8, etichetta in PVC

9, piatto acrilico

10, serigrafia

11, crea un adesivo

12, bordi in gel di silice

13, sabbiatura

14, trafilatura

15, protezione UV 16, muffa aperta



Plate



Silkscreen



Sticker

*We can do
customize*

Cutout



Silicone Seals



Color



We can do customize

Cut holes
Silkscreen
Sticker



We can do customize

change the color



We can do customize

PVC lable
Acrylic plate
Sticker



We can do customize

Cut holes
Silkscreen
Laser carve



We can do customize



**UV
Protection**



We can do customize

Cut holes
Silkscreen
Sticker



We can do customize



Uso:

È ampiamente utilizzato in elettronica, strumentazione, automazione, comunicazione, unità di alimentazione, progetti studenteschi, amplificatori, apparecchiature sanitarie, apparecchiature di test e misura, controllo industriale, periferiche e interfacce, scatole di commutazione.

It is widely used in electronic, instrumentation, automation, communications, power supply units, student projects, amplifiers, Medical and wellness devices, test and measurement equipment, industrial control, peripheral devices and interfaces, switch boxes.



Attenzione:

Non esitare a contattarci per maggiori dettagli e preventivi del nostro recinto, la tua richiesta riceverà sicuramente una risposta rapida in 24 ore. :-)

Company Information



Shenzhen Futian Huaqiang Electronic World OMK Electronic Sales Department

This complex, during long years of efforts with its own experienced group and sole facilities for improvement of productions and promotion of products quality, is now one of the largest suppliers of all kinds of metallic and plastic enclosures in different fields of electronic, electrical, communication, medical, industrial and research projects purposes.

In today's industrial world and with the rapid development of all industries, the need of these products is sensed more than ever. Therefore by offering the best quality and service, we try to meet these needs and help you to reach your ideals.

Exhibition



Certificate



Factory and showroom



Packaging & Shipping



SZOMK

Shenzhen Futian Huaqiang Electronic World OMK
Electronic Sales Department

Tel: +86-755-83222882 E-mail: hyj@szomk.com.cn



SZOMK

Our packaging

Plastic foam packaging



Metal shell packaging

Plastic box packaging





T/T, WESTERN UNION, MONEY
GRAM AND PAYPAL ACCPETED.

Skype: 86-13392896082

Tel: 86-13392896082

Email: kevin@chinaenclosure.com

[Contact Us](#)

**La tua richiesta riceverà risposta entro
24 ore. : o)**