

Specifiche tecniche:

Punto d'origine: Shenzhen, Cina

Tipo: elettronica plastic scatola di giunzione recinzione

Modello No .: AK-S-67

Dimensioni: 61 * 36 * 20 mm

Materiale: plastica ABS

MOQ del campione: 1 pezzo

**su misuraservizio: ritaglio, serigrafia, il colore, autoadesivo,
incisione laser,
lastra acrilica, creare la muffa**

MOQ personalizzato: 20 pz

Imballo: cartone

SZOMK



▶ **Enclosure Manufacturer**
www.chinaenclosure.com

SZOMK

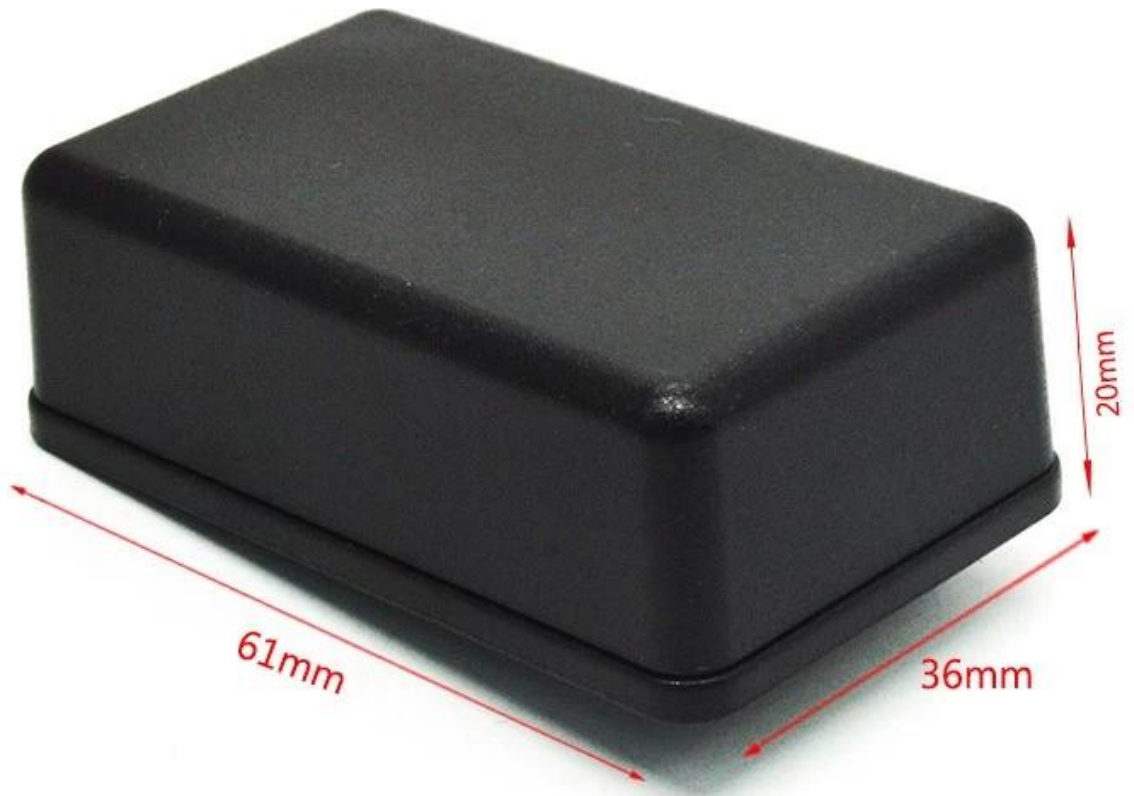
Customizable
cutout, sticker
silkscreen, color



Weight: 16g
Model No. AK-S-67

Size: 2.40*1.42*0.79 inch
61*36*20 mm

SZOMK



SZOMK



SZOMK



SZOMK

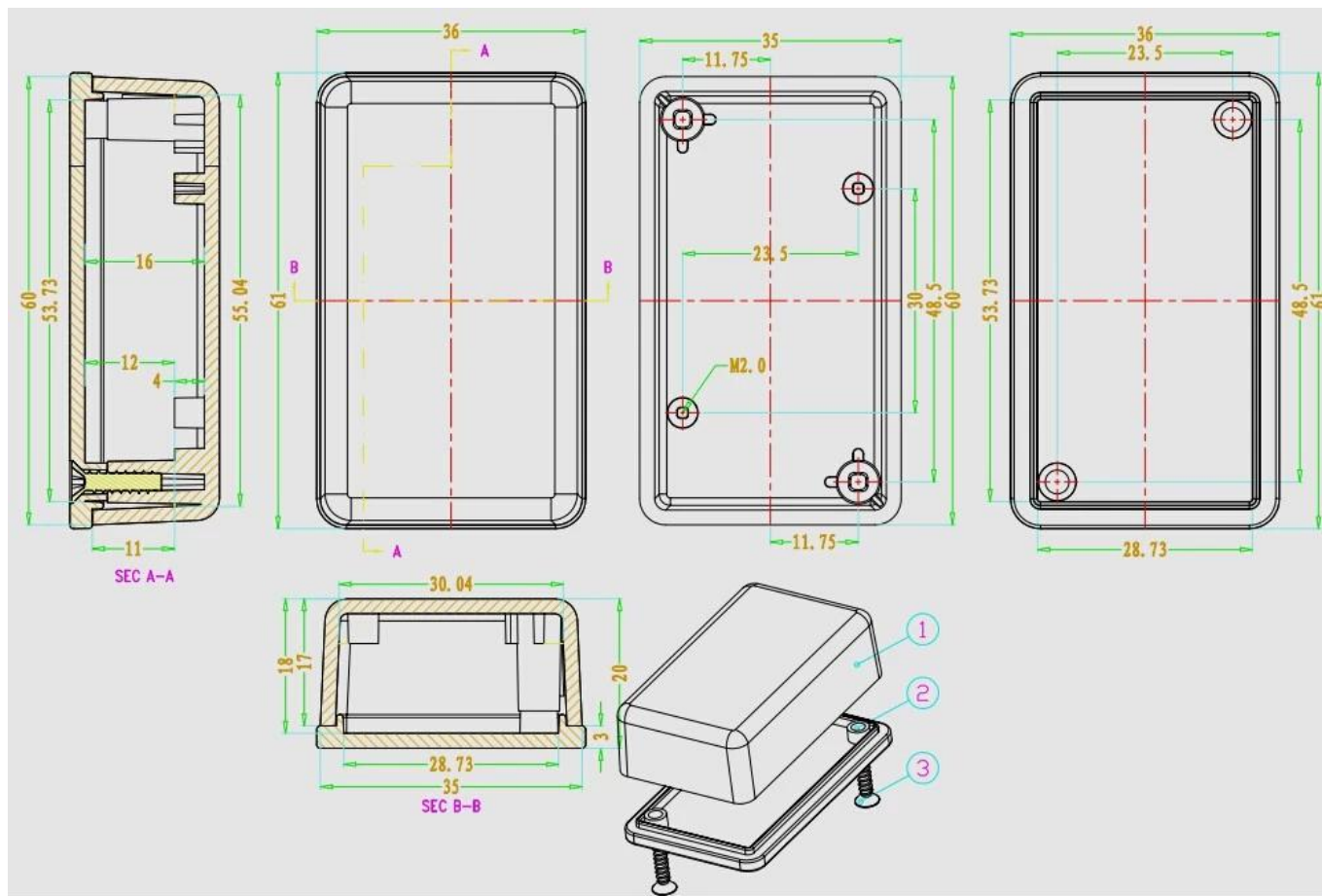


SZOMK



SZOMK





Ecco il nostro servizio di personalizzazione:

- | | |
|------------------------------------|---|
| 1, cambiare la durata di alluminio | 2, cambiamento di colore delle nostre scatole |
| 3, la lucidatura del prodotto | 4, verniciatura a polvere |
| 5, l'olio spazzolato | 6, ritaglio |
| 7, incisione laser | 8, etichetta del PVC |
| 9, piatto in acrilico | 10, serigrafia |
| 11, fare adesivo | 12, bordi di gel di silice |
| 13, sabbiatura | 14, trafilatura |
| 15, protezione UV | 16, stampo aperto |



Plate



Silkscreen



Sticker

*We can do
customize*

Cutout



Color

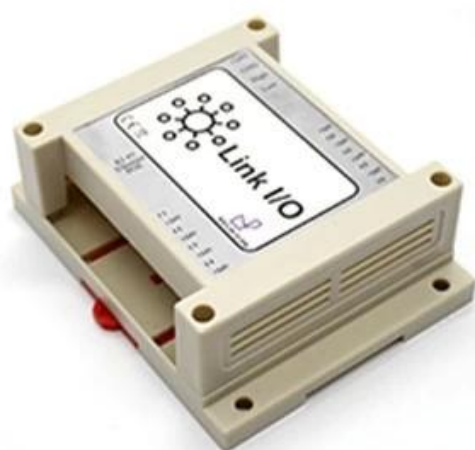


Silicone Seals



We can do customize

Cut holes
Silkscreen
Sticker



We can do customize

change the color



We can do customize

PVC lable
Acrylic plate
Sticker



We can do customize

Cut holes
Silkscreen
Laser carve



We can do customize



**UV
Protection**



We can do customize

Cut holes
Silkscreen
Sticker



We can do customize



Uso:

È ampiamente usato in elettronica, strumentazione, automazione, comunicazione, unisce alimentazione, progetti degli studenti, amplificatori, attrezzature sanitarie, attrezzature di test e misura, controllo industriale, dispositivi e interfacce periferiche, passere scatole.

It is widely used in electronic, instrumentation, automation, communications, power supply units, student projects, amplifiers, Medical and wellness devices, test and measurement equipment, industrial control, peripheral devices and interfaces, switch boxes.



Attenzione:

Non esitate a contattarci per maggiori dettagli e citazioni del nostro recinto, la vostra richiesta sarà sicuramente ottenere pronta risposta in 24 ore. :-)



QQ

505924585



Tel

86-755-83222882
86-13028816914



Add

628Room,505 Building ,Shangbu industry,
Hangtian road ,Futian district ,Shenzhen,
China,518031



Email

lily@szomk.net



skype

szomk006

Company Information



Shenzhen Futian Huaqiang Electronic World OMK Electronic Sales Department

This complex, during long years of efforts with its own experienced group and sole facilities for improvement of productions and promotion of products quality, is now one of the largest suppliers of all kinds of metallic and plastic enclosures in different fields of electronic, electrical, communication, medical, industrial and research projects purposes.

In today's industrial world and with the rapid development of all industries, the need of these products is sensed more than ever. Therefore by offering the best quality and service, we try to meet these needs and help you to reach your ideals.

Exhibition



Certificate



Factory and showroom



Packaging & Shipping



Shenzhen Futian Huaqiang Electronic World OMK
Electronic Sales Department

Tel: +86-755-83222882 E-mail: hyj@szomk.com.cn



SZOMK

Our packaging

Plastic foam packaging



Metal shell packaging



Plastic box packaging



**Tutta l'inchiesta, si prega di contattare:
lily@szomk.net**

**La vostra inchiesta sarebbe responded
withing 24 ore. : O)**

