

Info Veloci

Numero di modello: AK-DR-19

Dimensione esterna: 200x90x70mm

Colore bianco

Materiale: abs

Peso: 156g

SZOMK



 **Enclosure Manufacturer**
www.chinaenclosure.com

SZOMK

Customizable
cutout, sticker
silkscreen, color



Weight: 155g

Size: 7.87*3.54*2.76 inch

Model No. AK-DR-19

200*90*70 mm

SZOMK

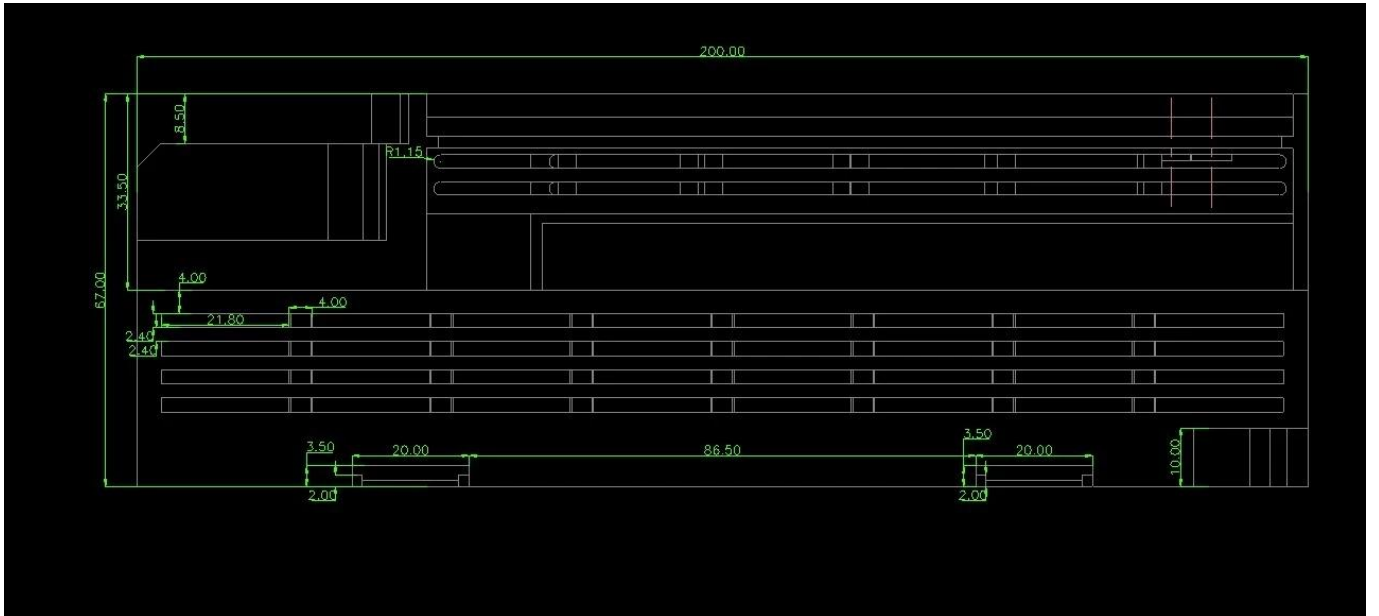
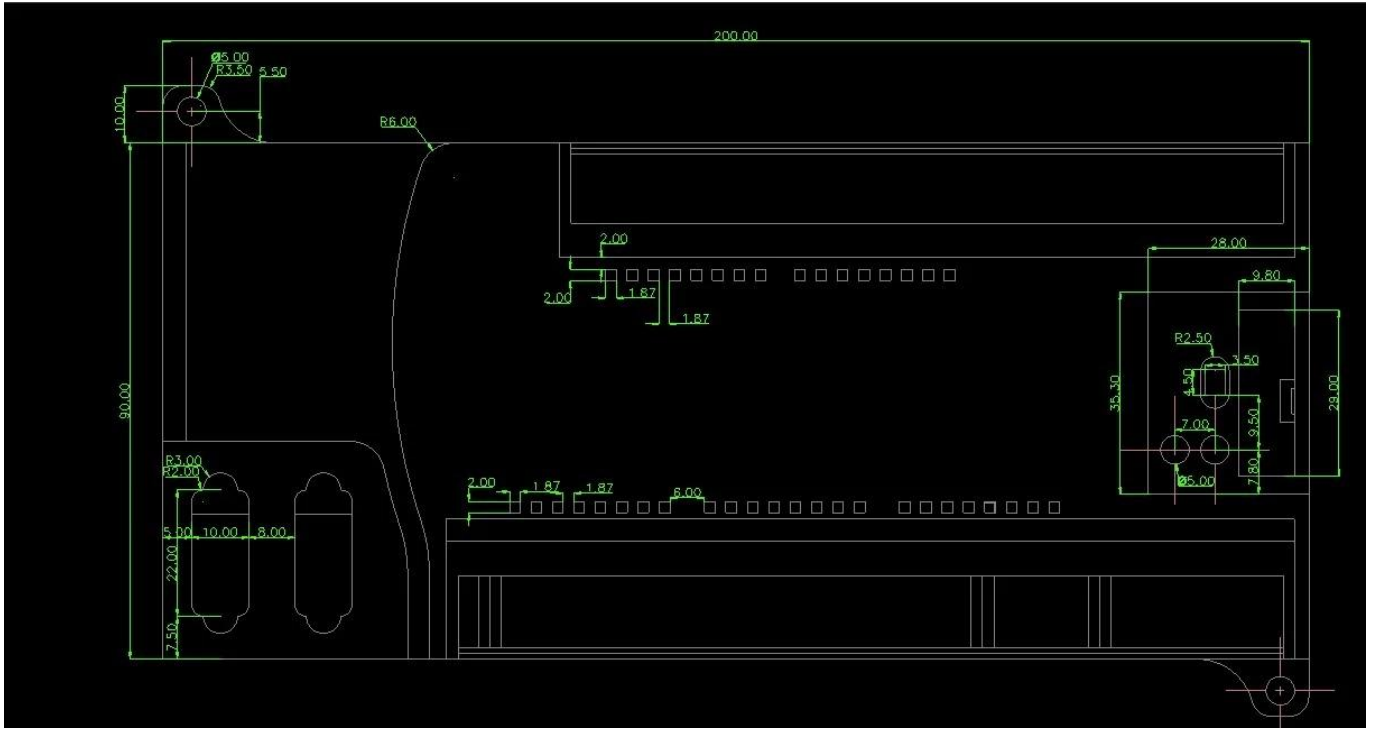


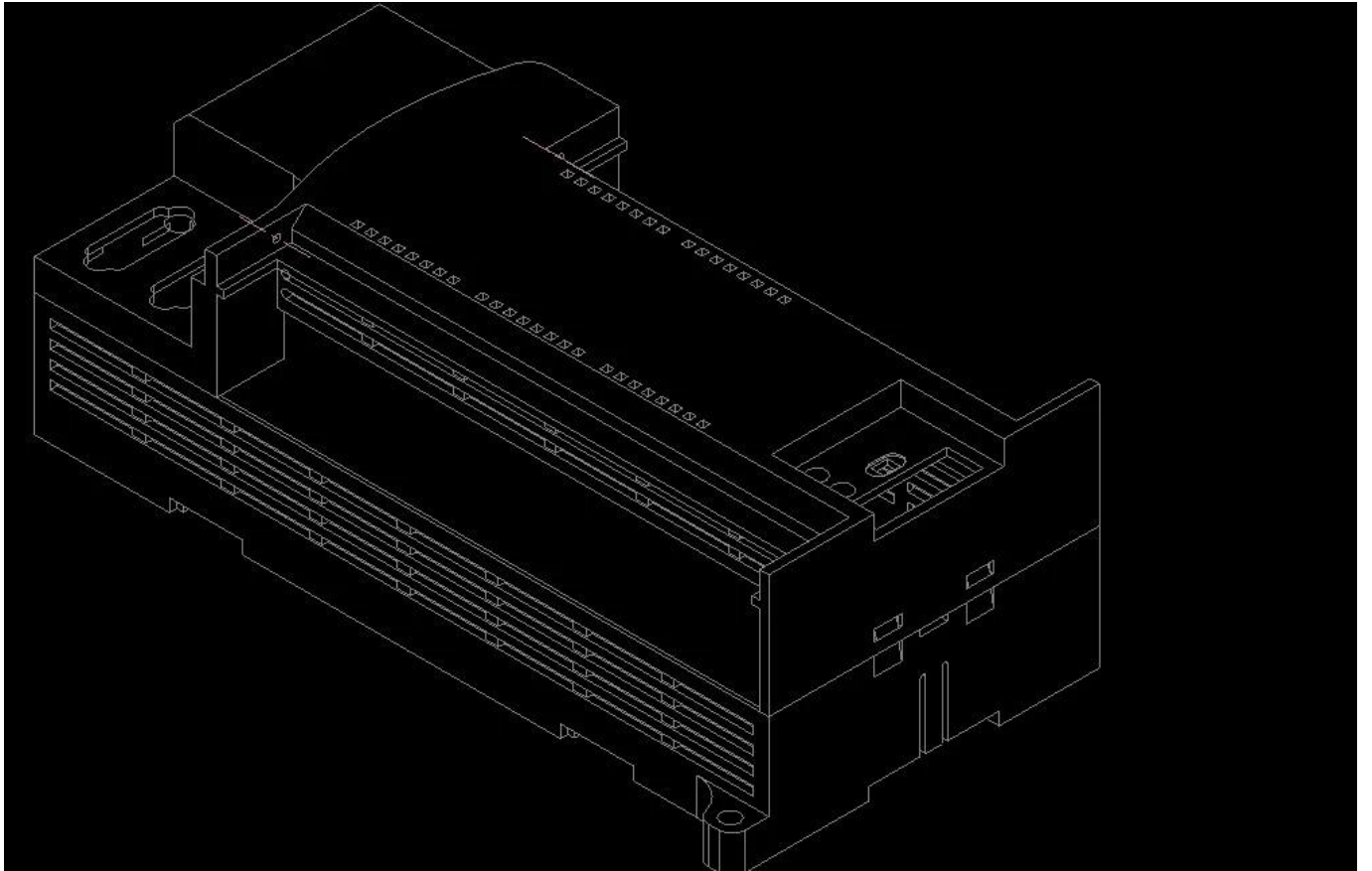
SZOMK



SZOMK









Company Information



Shenzhen Futian Huaqiang Electronic World OMK Electronic Sales Departmen

This complex,during long years of efforts with it's own experienced group and sole facilities for improvement of productions and promotion of products quality, is now one of the largest suppliers of all kinds of metallic and plastic enclosures in different fields of electronic,electrical,communication,medical,industrial and research prtojects purposes.

In today's industrial world and with the rapid development of all industries,the need of these products is sensed more than ever.Therefore by offering the best quality and service,we try to meet these needs and help you to reach your ideals.

Exhibition



Factory and showroom



Imballaggio & Consegna

Dettagli di imballaggio: scatola standard dell'esportazione.

Dettaglio di consegna: 3-15days, quantità differente tempi di consegna differenti.

Packaging & Shipping



TNT
sure we can

UPS
WE LOGISTICS™

SF EXPRESS
顺丰速运

FedEx
Express

EMS

DHL

PayPal **WESTERN UNION** **VISA** **ESCROW** **MasterCard** **HSBC**



Shenzhen Futian Huaqiang Electronic World OMK
Electronic Sales Department

Tel: +86-755-83222882 E-mail: ivy@szomk.com.cn

