

## **specifiche tecniche:**

**Luogo di origine: Shenzhen, Cina**

**Tipo: scatola di giunzione elettronica plastica**

**Modello: AK-H-60**

**Dimensioni: 180 \* 81 \* 45mm**

**Materiale: plastica ABS**

**MOQ campione: 1 pezzo**

**su misuraservizio: ritaglio, serigrafia, colore, adesivo,  
incisione laser,  
foglio acrilico, creare muffa**

**MOQ personalizzato: 20 pezzi**

**Imballaggio: cartone**

# SZOMK



85g

AK-H-60

▶ Enclosure Manufacturer  
[www.chinaenclosure.com](http://www.chinaenclosure.com)

# SZOMK

Customizable  
cutout, sticker  
silkscreen, color



Weight: 85g

Model No. AK-H-60

Size: 180\*81\*45mm

7\*3.2\*1.7inch

# SZOMK



# SZOMK



**SZOMK**



**SZOMK**



**SZOMK**

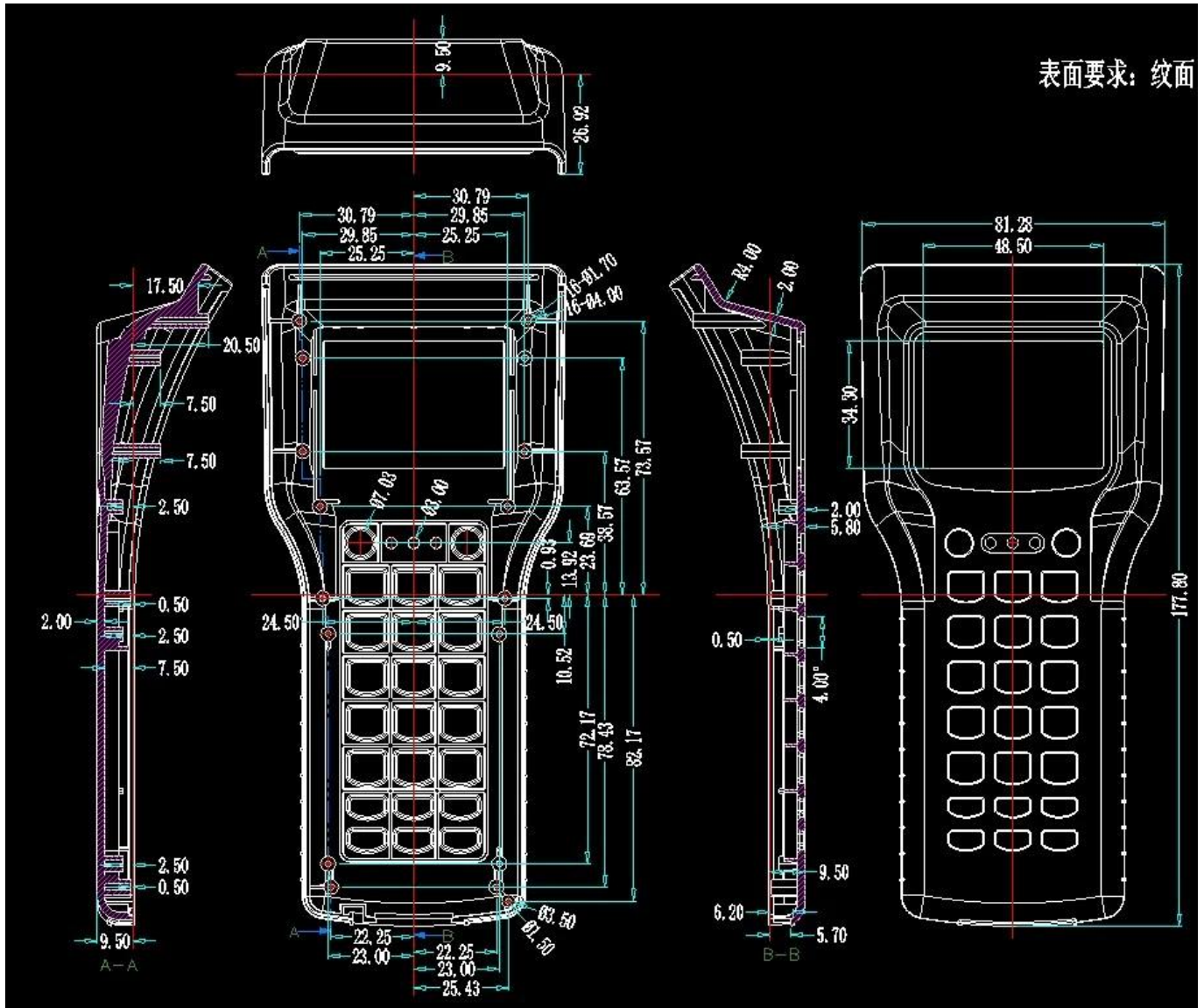




# SZOMK



表面要求：纹面







*Plate*



*Silkscreen*



*Sticker*

*We can do  
customize*

*Cutout*



*Silicone Seals*



*Color*



# We can do customize

Cut holes  
Silkscreen  
Sticker



# We can do customize

change the color



# We can do customize

PVC lable  
Acrylic plate  
Sticker



# We can do customize

Cut holes  
Silkscreen  
Laser carve





**We can do customize**



**UV  
Protection**



# We can do customize

Cut holes  
Silkscreen  
Sticker



# We can do customize



## Uso:

È ampiamente utilizzato in elettronica, strumentazione, automazione, comunicazione, unità di alimentazione, progetti studenteschi, amplificatori, apparecchiature sanitarie, apparecchiature di test e misura, controllo industriale, periferiche e interfacce, scatole di commutazione.

It is widely used in electronic, instrumentation, automation, communications, power supply units, student projects, amplifiers, Medical and wellness devices, test and measurement equipment, industrial control, peripheral devices and interfaces, switch boxes.



**Attenzione:**

Non esitare a contattarci per maggiori dettagli e preventivi del nostro recinto, la tua richiesta riceverà sicuramente una risposta rapida in 24 ore. :-)

## Company Information



### Shenzhen Futian Huaqiang Electronic World OMK Electronic Sales Department

This complex, during long years of efforts with its own experienced group and sole facilities for improvement of productions and promotion of products quality, is now one of the largest suppliers of all kinds of metallic and plastic enclosures in different fields of electronic, electrical, communication, medical, industrial and research projects purposes.

In today's industrial world and with the rapid development of all industries, the need of these products is sensed more than ever. Therefore by offering the best quality and service, we try to meet these needs and help you to reach your ideals.

## Exhibition



## Certificate



## Factory and showroom



## Packaging & Shipping



# SZOMK

Shenzhen Futian Huaqiang Electronic World OMK  
Electronic Sales Department

Tel: +86-755-83222882 E-mail: [hyj@szomk.com.cn](mailto:hyj@szomk.com.cn)



# SZOMK

## Our packaging

Plastic foam packaging



Metal shell packaging

Plastic box packaging





T/T, WESTERN UNION, MONEY  
GRAM AND PAYPAL ACCPETED.

Skype: 13691908477

Tel: 86-13691908477

Email: felix@chinaenclosure.com

[Contact Us](#)

**La tua richiesta riceverà risposta entro  
24 ore. : o)**