

It is widely used in electronic, instrumentation, automation, communications, power supply units, student projects, amplifiers, Medical and wellness devices, test and measurement equipment, industrial control, peripheral devices and interfaces, switch boxes.



## ABS

1. Drilling and Punching
2. Mounting components
3. Sealing the enclosure

### Drilling and Punching

1. Drilling and Punching
2. Mounting components
3. Sealing the enclosure
4. Testing the device

## ABS

# SZOMK



▶ **Enclosure Manufacturer**  
[www.chinaenclosure.com](http://www.chinaenclosure.com)

# SZOMK

Customizable  
cutout, sticker  
silkscreen, color



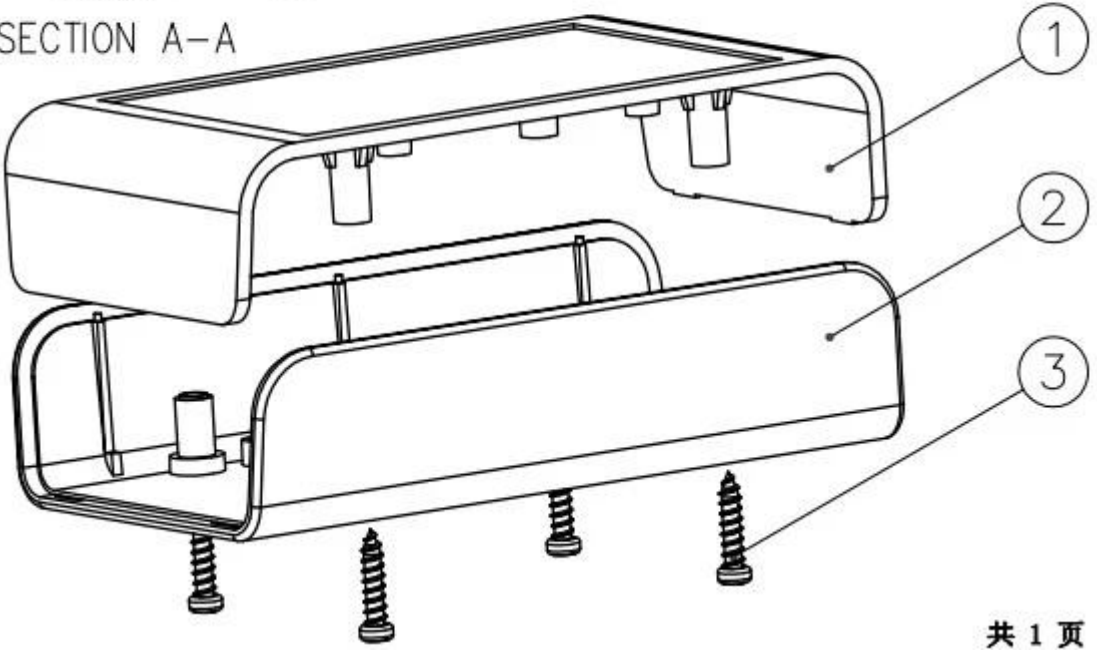
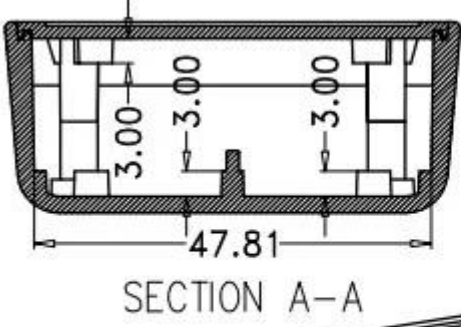
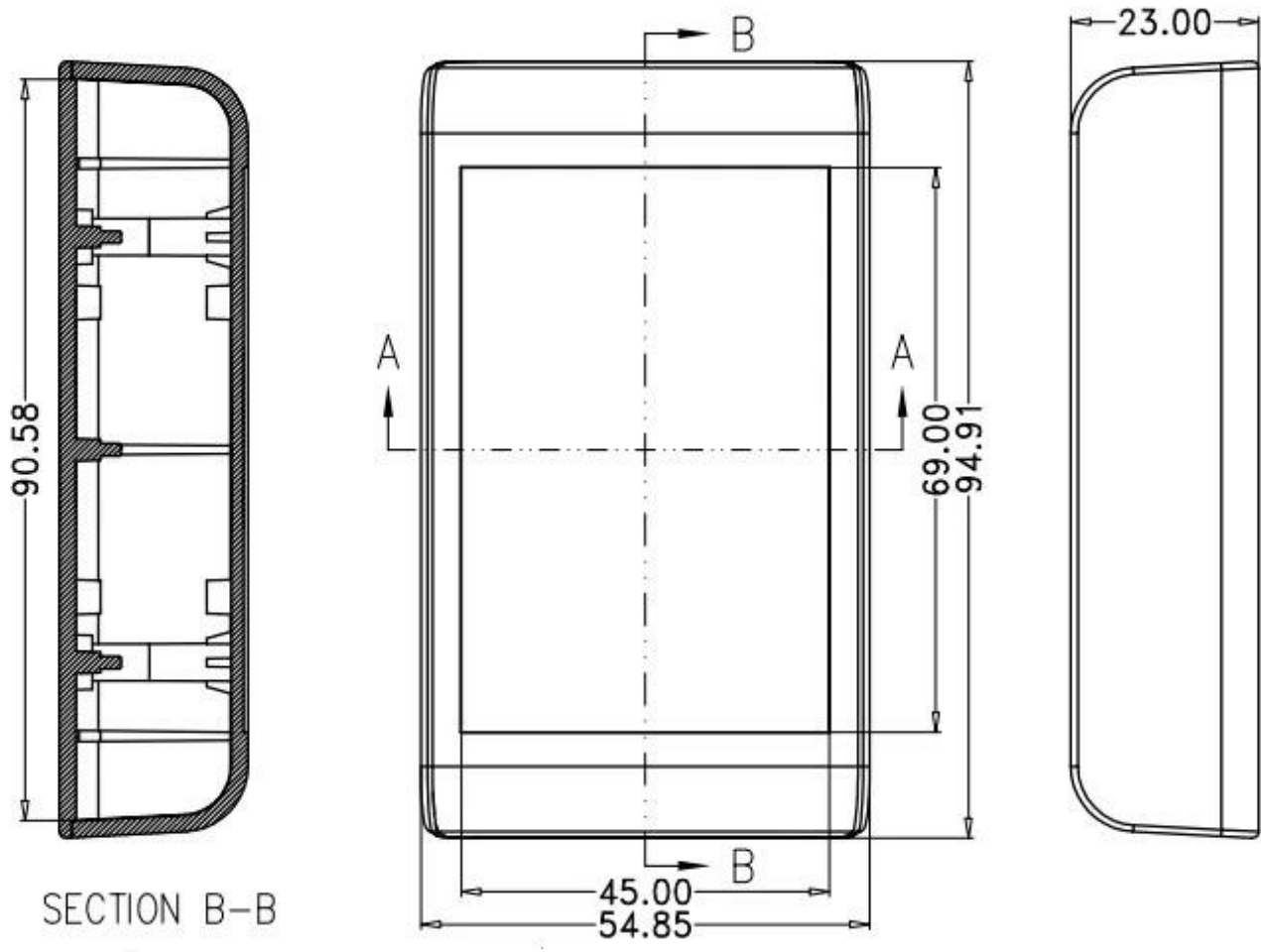
Weight: 24g  
Model No. AK-S-01

Size: 3.15\*1.97\*0.75inch  
80\*50\*19 mm

# SZOMK



□□ □□



□□□□□□□□





**SZOMK**

# WE CAN DO



- ✓ **Provide thousands of public enclosure** *MOQ: 1 piece*
- ✓ **Small order custom** *MOQ: 20-30 pcs*
- ✓ **Design private custom enclosure (provide PCB)**
- ✓ **Molding, tooling (provide sample / STEP file)**



cutout, laser engrave, screen printing, sticker, acrylic plate, pvc label, color, silica gel rings, etc.



# WE CAN DO

**For HOUSING some of the Processing, Openings, Screen, Stickers, PVC LABEL**



□□□□□□□□



## Our packaging

Plastic foam packaging



Metal shell packaging



Plastic box packaging



## Packaging & Shipping



sure we can



WE LOGISTICS



□□□□□



T/T, WESTERN UNION, MONEY GRAM AND PAYPAL ACCPETED.

Skype: 13691908477

Tel: 86-13691908477

Email: felix@chinaenclosure.com

Contact Us