

SZOMK



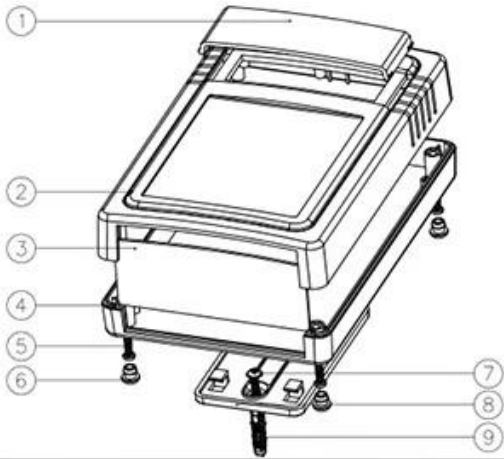
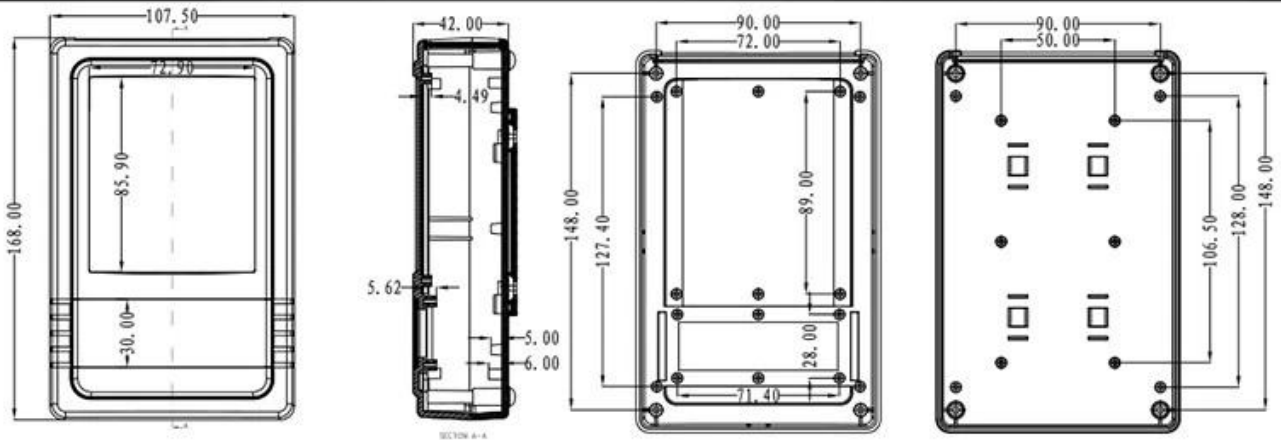
▶ **Enclosure Manufacturer**
www.chinaenclosure.com

SZOMK



SZOMK





9	螺钉	PC	1	S-5	
8	面板	ABS	1	S0001-P1	
7	螺母	ABS	2	PA3325	
6	脚踏	PC	4	3P-8	
5	螺母	ABS	4	PA3314	
4	下壳	ABS	1	S0006-C1	
3	面板	ABS	1	S0006-E1	
2	上壳	ABS	1	S0006-D1	
1	外壳	PC	1	S0005-D1	
序号	零件名称	材料	数量	配件编号	备注
制图	审核	批准	产品名称	壁挂式仪表盒	视图
Drawing	Auditing	Confirm	Product Name		Project View
			产品型号	BW 50005	图纸比例
			Product Type		Drawing Scale
					1:1 (MO)

szomk.004@gmail.com

SZOMK

产品型号(MODEL NO.): BMW 50006-A1

产品尺寸(SIZE): 168×107×45MM

产品重量(WEIGHT): 167 g

szomk.004@gmail.com



19221556



	<p>产品编号(NUMBER): 50006-B1 产品名称(NAME): 上壳 EPIVALVE 模具编号(P/N): BAH10034-A1 材料(MATERIAL): ABS(浅灰色)PS20412 用量(QUANTITY): 1 PCS 重量(WEIGHT): 76 g</p>		<p>产品编号(NUMBER): 50006-C1 产品名称(NAME): 下壳 HYPOTRIGA 模具编号(P/N): BAH10034-A2 材料(MATERIAL): ABS(浅灰色)PS20412 用量(QUANTITY): 1 PCS 重量(WEIGHT): 66 g</p>
	<p>产品编号(NUMBER): 50005-D1 产品名称(NAME): TRANSLUCENT COVER 模具编号(P/N): BAH10033-A3 材料(MATERIAL): PC(茶色)0571 用量(QUANTITY): 1 PCS 重量(WEIGHT): 7 g</p>		<p>产品编号(NUMBER): 50006-E1 产品名称(NAME): 档板 BAFFLE 模具编号(P/N): BAH10033-A4 材料(MATERIAL): ABS(浅灰色)PS20412 用量(QUANTITY): 1 PCS 重量(WEIGHT): 7 g</p>
	<p>产品编号(NUMBER): PA3×14 产品名称(NAME): 盲孔螺丝 TAPPING SCREW 规格(STANDARD): M3×14 材料(MATERIAL): 铁 IRON 用量(QUANTITY): 4 PCS</p>		<p>产品编号(NUMBER): BP-8 产品名称(NAME): 脚垫 FOOTPAD 模具编号(P/N): BAH10026-A4 材料(MATERIAL): PVC(WHITE)CM7020 用量(QUANTITY): 4 PCS 重量(WEIGHT): 0.258 g</p>
	<p>产品编号(NUMBER): 50001-F1 产品名称(NAME): 墙挂 WALL ACCESSORIE 模具编号(P/N): BAH10096-A5 材料(MATERIAL): ABS(浅灰色)PS20412 用量(QUANTITY): 1 PCS 重量(WEIGHT): 12 g</p>		<p>产品编号(NUMBER): PWA3×25 产品名称(NAME): 盲孔螺丝 TAPPING SCREW 规格(STANDARD): M3×25 材料(MATERIAL): 铁 IRON 用量(QUANTITY): 2 PCS</p>
	<p>产品编号(NUMBER): S-5 产品名称(NAME): 墙钉 WALL NAIL 模具编号(P/N): BAH10032-A1A2 规格(STANDARD): 5×5 φ3-4 材料(MATERIAL): PP(GREY)CM1906 用量(QUANTITY): 2 PCS</p>		



T/T, WESTERN UNION, MONEY
GRAM AND PAYPAL ACCPETED.

Skype: 86-13392896082

Tel: 86-13392896082

Email: kevin@chinaenclosure.com

[Contact Us](#)