





# Pitch:

## 5.0mm

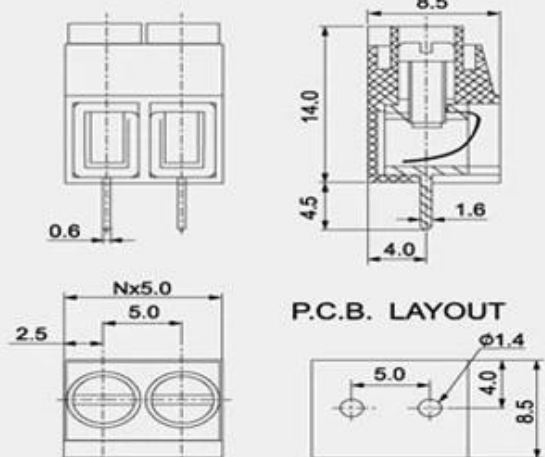
# Poles:

## 2pole 3pole to any poles

# SZOMK

- ▶ Top quality products with certification of CE,UL,ROHS
- ▶ Short lead time, normally 3-5 days after payment
- ▶ Prompt reponse for your inquiry

Pitch=5.0  
Unit:mm  
N=Poles



## Company Information



### Shenzhen Futian Huaqiang Electronic World OMK Electronic Sales Departmen

This complex, during long years of efforts with it's own experienced group and sole facilities for improvement of productions and promotion of products quality, is now one of the largest suppliers of all kinds of metallic and plastic enclosures in different fields of electronic, electrical, communication, medical, industrial and research projects purposes.

In today's industrial world and with the rapid development of all industries, the need of these products is sensed more than ever. Therefore by offering the best quality and service, we try to meet these needs and help you to reach your ideals.

## Certificate



## Exhibition



## Factory and showroom



## Packaging & Shipping



WE ♥ LOGISTICS™





Shenzhen Futian Huaqiang Electronic World OMK  
Electronic Sales Department

Tel: +86-755-83222882 E-mail: [ivy@szomk.com.cn](mailto:ivy@szomk.com.cn)

