



**SZOMK**



▶ **Enclosure Manufacturer**  
[www.chinaenclosure.com](http://www.chinaenclosure.com)

**SZOMK**



**SZOMK**

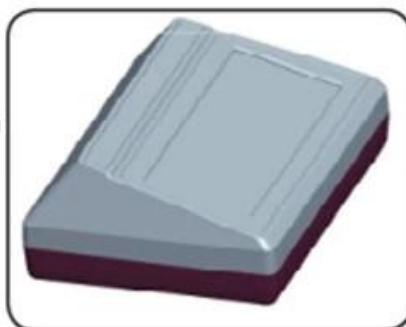


szomk.004@gmail.com

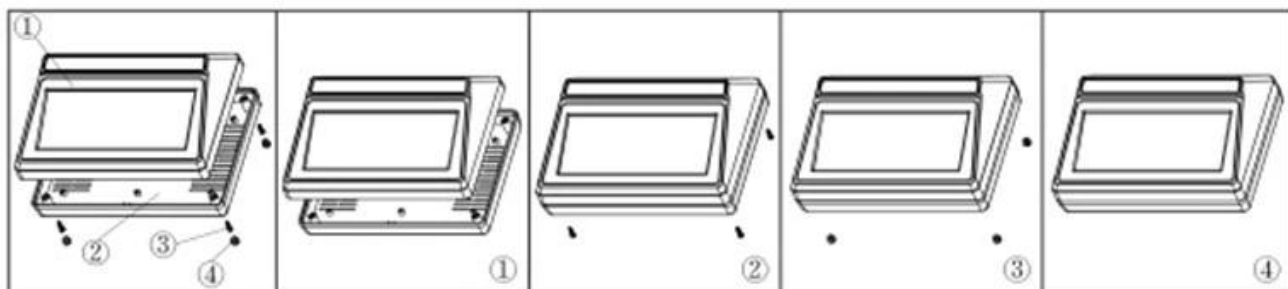
产品型号(MODEL NO.): AK-D-16

产品尺寸(SIZE): 200×145×54 mm

产品重量(WEIGHT): 243 g



18221507



产品编号(NUMBER): 30005-B1  
产品名称(NAME): 上壳 EPIVALVE  
模具编号(P/NO): BAH10031-A  
材料(MATERIAL): ABS(浅灰:FS20412)  
用量(QUANTITY): 1 PCS  
重量(WEIGHT): 132 g



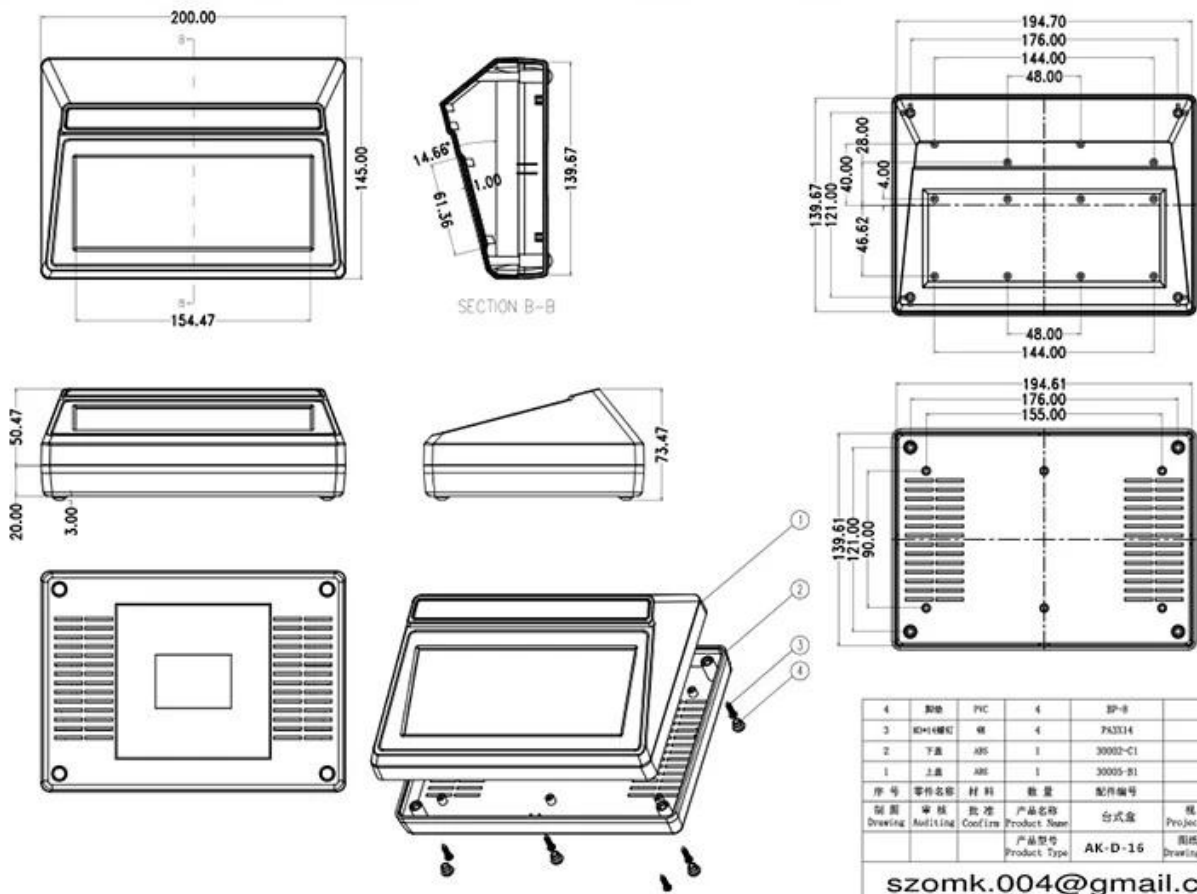
产品编号(NUMBER): 30002-C1  
产品名称(NAME): 下壳 HYPOTHECA  
模具编号(P/NO): BAH10021-A2  
材料(MATERIAL): ABS(浅灰:FS20412)  
用量(QUANTITY): 1 PCS  
重量(WEIGHT): 112 g



产品编号(NUMBER): PA3×14  
产品名称(NAME): 自攻螺丝 SELF-TAPPING SCREW  
规格(STANDARD): M3×14  
材料(MATERIAL): 铁 IRON  
用量(QUANTITY): 4 PCS



产品编号(NUMBER): BP-8  
产品名称(NAME): 脚垫 FOOT PAD  
模具编号(P/NO): BAH10020-A4  
材料(MATERIAL): PVC(白:CM7070)  
用量(QUANTITY): 4 PCS  
重量(WEIGHT): 0.258 g





QQ

2406659781



Tel

86-755-83222882  
86-18598241813



Add

628Room,505 Building ,Shangbu industry,  
Hangtian road ,Futian district ,Shenzhen,  
China,518031



Email

emily@szomk.com.cn



skype

szomk1010